

FL WLAN 1120 - Wireless module



1386091

<https://www.phoenixcontact.com/gb/products/1386091>

Please be informed that the data shown in this PDF document is generated from our online catalog. Please find the complete data in the user documentation. Our general terms of use for downloads are valid.



WLAN client, soft access point, Wi-Fi 6, with internal antennas (MIMO) for single-hole mounting, IP66/68, -30°C ... +60°C, WLAN 802.11 a, b, g, n, ac, ax, frequency: 2.4 GHz, 5 GHz, connection data: 9 V DC ... 32 V DC, RJ45: for LAN, http/https, CLI, REST API

Your advantages

- Wi-Fi 6 (2,4/5 GHz)
- Gross data rate up to 2400 Mbps
- Fast roaming in cellular applications
- Controllable via REST API
- Highest safety WPA 2/3
- RJ45 with 10/100/1000 Mbps

Commercial data

Item number	1386091
Packing unit	1 pc
Minimum order quantity	1 pc
Sales key	DNN2W4
Product key	DNN2W4
GTIN	4063151762308
Weight per piece (including packing)	371 g
Weight per piece (excluding packing)	333 g
Customs tariff number	85176200
Country of origin	DE

Technical data

Notes

Note on application

Note on application	Only for industrial use
---------------------	-------------------------

Product properties

Product type	Wireless module
Type	Stand-alone

Insulation characteristics

Overvoltage category	II (IEC 61010-1)
----------------------	------------------

Wireless card

Type	IEEE 802.11 a/b/g/n/ac/ax 2,4 GHz, 5 GHz > 600 MBit/s
Assembly note	Permanently installed

Electrical properties

Maximum power dissipation for nominal condition	4.1 W
Test section	24 V supply / functional ground 500 V DC 1 min Ethernet interface/all other potentials 2.25 kV DC 1 min

Supply: Module electronics

Connection technology	COMBICON
Connection method	Push-in spring connection
Note on the connection method	Recommended conductor cross-section: 0.75 mm ² Recommended ferrule: connection length 10 mm Recommended crimping pliers: trapezoidal or square
Designation	1966101 FMC 1,5/ 3-STF-3,5
Number of positions	3
Cross section range AWG	24 ... 16
Supply voltage	24 V DC (SELV)
Supply voltage range	9 V DC ... 32 V DC (PELV/SELV)
Supply current	typ. 170 mA (at Unom/ 20°C/ max. data throughput)
Current consumption	max. 620 mA (At Umin/Tmax/max. data throughput)

Connection data

1966101 FMC 1,5/ 3-STF-3,5

Connection method	Push-in spring connection
pluggable	yes
Conductor cross-section, rigid	0.2 mm ² ... 1.5 mm ²
Conductor cross-section, flexible	0.2 mm ² ... 1.5 mm ²
Conductor cross-section AWG	24 ... 16
Stripping length	10 mm

1386091

<https://www.phoenixcontact.com/gb/products/1386091>

Interfaces

Antenna

Number	2
Connection method	permanently installed
Note on the connection method	MIMO
Gain	5 dBi

Functions

Configuration	Web-based management, automated CLI, REST API
Quality of service (QoS)	Yes
Wireless licenses	Europe, additional countries in the e-shop
Country support	Belgium
	Bulgaria
	Denmark
	Germany
	Estonia
	Finland
	France
	Greece
	Great Britain
	Ireland
	Italy
	Latvia
	Liechtenstein
	Lithuania
	Luxembourg
	Malta
	Netherlands
	Norway
	Austria
	Poland
	Portugal
	Romania
Sweden	
Switzerland	
Slovakia	
Slovenia	
Spain	
Czech Republic	
Hungary	
Cyprus (rep.)	
Japan	
China	

FL WLAN 1120 - Wireless module



1386091

<https://www.phoenixcontact.com/gb/products/1386091>

	Singapore
	South Korea

Ethernet (RJ45)

Number of interfaces	1
Connection method	RJ45
Note on the connection method	Auto negotiation and autocrossing
Transmission speed	10/100/1000 Mbps
Transmission physics	Copper
Transmission length	100 m (per segment)
No. of channels	1 (RJ45 ports)

Wireless

Designation	Wireless LAN
Antenna connection method	(Internal)
Frequency band	2.4 GHz 5 GHz
Wireless standard	WLAN IEEE 802.11 a b g n ac ax Wi-Fi 6
Transmission power	max. 20 dBm (with two antennas)
Number of wireless interfaces	1 IEEE 802.11 a/b/g/n/ac/ax
Wireless modules that can be connected	20 (10 per virtual interface in AP mode)

Dimensions

Dimensional drawing	
Width	62.8 mm
Height	36.5 mm
Depth	113.2 mm
Note on dimensions	Outside dimensions

Material specifications

1386091

<https://www.phoenixcontact.com/gb/products/1386091>

Material base plate	Die-cast zinc, nickel-plated
Housing material	PC

Environmental and real-life conditions

Ambient conditions

Ambient temperature (operation)	-30 °C ... 60 °C
Degree of protection	IP65
	IP66
	IP67
	IP68
Note	Degree of protection when installed
Air pressure (operation)	800 hPa ... 1080 hPa (up to 2000 m above sea level)
Air pressure (storage/transport)	660 hPa ... 1080 hPa (up to 3500 m above sea level)
Ambient temperature (storage/transport)	-40 °C ... 85 °C
Permissible humidity (operation)	5 % ... 95 % (non-condensing)
Permissible humidity (storage/transport)	5 % ... 95 % (non-condensing)

EMC data

Electrostatic discharge

Standards/regulations	EN 61000-4-2
-----------------------	--------------

Electrostatic discharge

Contact discharge	± 6 kV
Discharge in air	± 8 kV
Indirect discharge	± 6 kV

Electromagnetic HF field

Standards/regulations	EN 61000-4-3
-----------------------	--------------

Electromagnetic HF field

Frequency range	80 MHz ... 1000 MHz
Test field strength	10 V/m
Frequency range	1000 MHz ... 6000 MHz
Test field strength	3 V/m

Fast transients (burst)

Standards/regulations	EN 61000-4-4
-----------------------	--------------

Fast transients (burst)

Comments	±2.2 kV
----------	---------

Surge current load (surge)

Standards/regulations	EN 61000-4-5
-----------------------	--------------

Surge current load (surge)

Signal	± 0.5 kV (symmetrical)
--------	------------------------

FL WLAN 1120 - Wireless module



1386091

<https://www.phoenixcontact.com/gb/products/1386091>

	± 1 kV (asymmetrical)
--	-----------------------

Conducted interference

Standards/regulations	EN 61000-4-6
-----------------------	--------------

Conducted interference

Frequency range	0.15 MHz ... 80 MHz
Voltage	10 V

Emitted interference

Standards/regulations	EN 55032
Test result	Class B

Mounting

Mounting type	Single-hole mounting
Assembly note	Internal antenna

FL WLAN 1120 - Wireless module

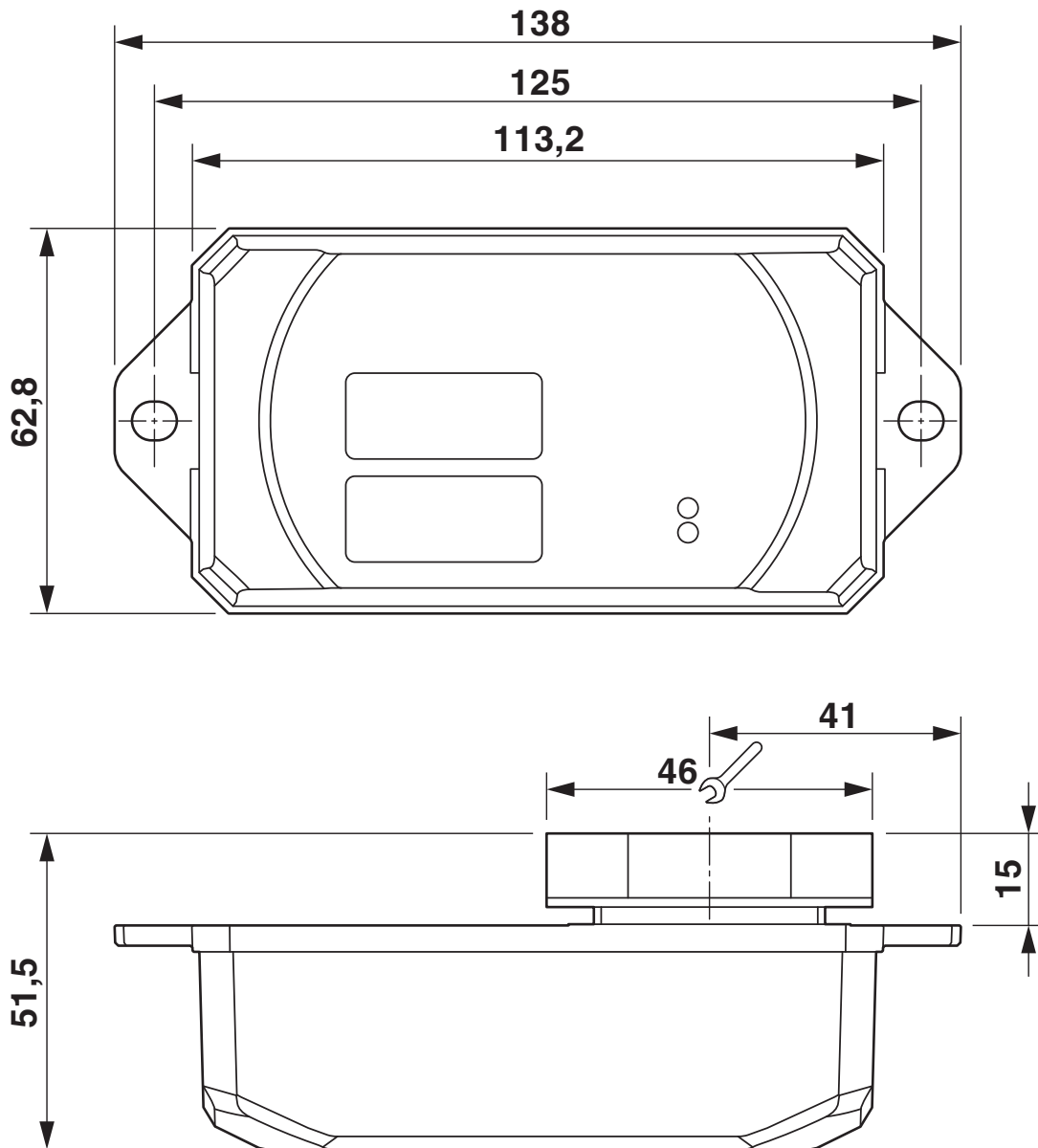


1386091

<https://www.phoenixcontact.com/gb/products/1386091>

Drawings

Dimensional drawing



FL WLAN 1120 - Wireless module



1386091

<https://www.phoenixcontact.com/gb/products/1386091>

Classifications

ECLASS

ECLASS-13.0	19170501
ECLASS-15.0	19170501

ETIM

ETIM 10.0	EC000816
-----------	----------

UNSPSC

UNSPSC 21.0	43222600
-------------	----------

1386091

<https://www.phoenixcontact.com/gb/products/1386091>

Environmental product compliance

EU RoHS

Fulfills EU RoHS substance requirements	Yes
Exemption	7(a), 7(c)-I

China RoHS

Environment friendly use period (EFUP)	EFUP-50
	An article-related China RoHS declaration table can be found in the download area for the respective article under "Manufacturer declaration". For all articles with EFUP-E, no China RoHS declaration table issued and required.

EU REACH SVHC

REACH candidate substance (CAS No.)	4,4'-isopropylidenediphenol(CAS: 80-05-7)
	Lead(CAS: 7439-92-1)
	2-(2H-benzotriazol-2-yl)-4-(1,1,3,3-tetramethylbutyl)phenol (UV-329)(CAS: 3147-75-9)

Phoenix Contact 2026 © - all rights reserved
<https://www.phoenixcontact.com>

PHOENIX CONTACT Ltd
 Halesfield 13, Telford
 Shropshire, TF7 4PG
 01952 681700
info@phoenixcontact.co.uk