



bus connector extended front mounted; 3 units accessory for: 3VA51

Model	
product brand name	SENTRON
product designation	bus connector extended
accessories	Bus connector extended
Mechanical Design	
Net Weight	134 g
Connections according IEC	
thickness / of the busbar / minimum	1 mm
width / of the busbar / maximum	22 mm
Connections according UL	
width / of the busbar / maximum	0.9 in
thickness / of the busbar / minimum	0.04 in
thickness / of the busbar / maximum	0.3 in
Certificates	
General Product Approval	

[Confirmation](#)



EG-Konf.



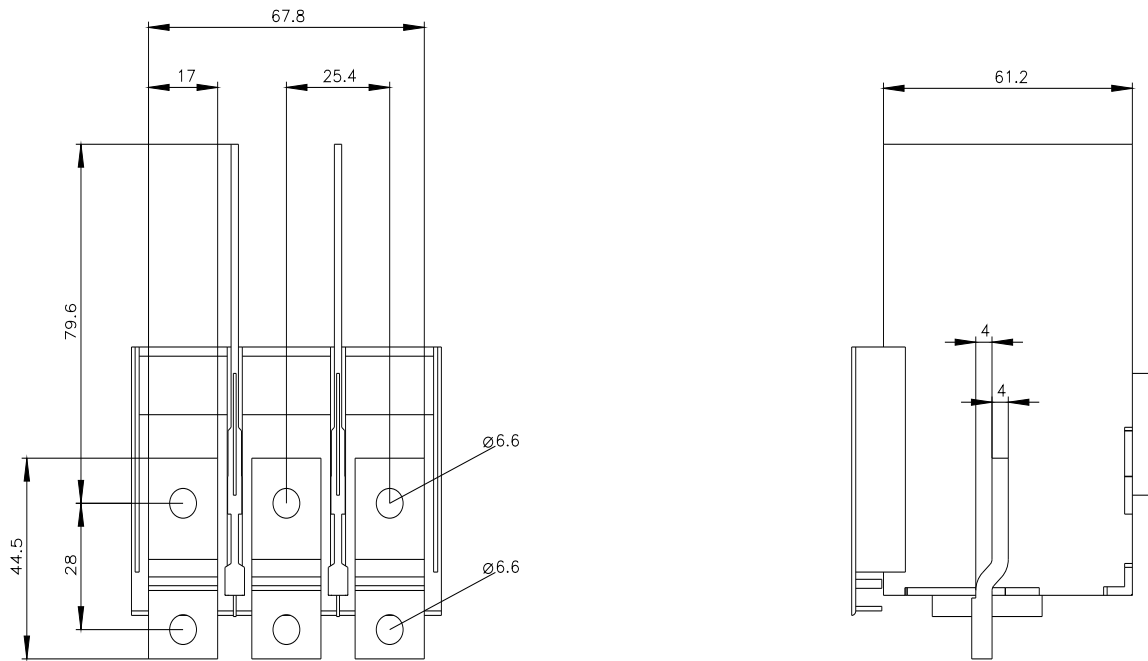
[Miscellaneous](#)



EMV	Maritime application	other	Environment		
		<a href="#">Confirmation</a>	<a href="#">Miscellaneous</a>	<a href="#">Environmental Confirmations</a>	<a href="#">Environmental Confirmations</a>

### Further information

- Information on the packaging  
<https://support.industry.siemens.com/cs/ww/en/view/109813875>
- Information for data generation and storage  
<https://support.industry.siemens.com/cs/ww/en/view/109995012>
- Information- and Downloadcenter (Catalogs, Brochures,...)  
<https://www.siemens.com/lowvoltage/catalogs>
- Industry Mall (Online ordering system)  
<https://mall.industry.siemens.com/mall/en/en/Catalog/product?mlfb=3VA9133-0QB00>
- Service&Support (Manuals, Certificates, Characteristics, FAQs,...)  
<https://support.industry.siemens.com/cs/ww/en/ps/3VA9133-0QB00>
- Image database (product images, 2D dimension drawings, 3D models, device circuit diagrams, ...)  
[https://www.automation.siemens.com/bilddb/cax\\_en.aspx?mlfb=3VA9133-0QB00](https://www.automation.siemens.com/bilddb/cax_en.aspx?mlfb=3VA9133-0QB00)
- CAX-Online-Generator



last modified:

5/26/2025 

