



bus connector extended front mounted, 4 units accessory for: 3VA51



Model	
product brand name	SENTRON
product designation	bus connector extended
accessories	Bus connector extended
Mechanical Design	
Net Weight	176 g
Connections according IEC	
thickness / of the busbar / minimum	1 mm
width / of the busbar / maximum	22 mm
Connections according UL	
width / of the busbar / maximum	0.9 in
thickness / of the busbar / minimum	0.04 in
thickness / of the busbar / maximum	0.3 in
Certificates	
General Product Approval	

[Confirmation](#)

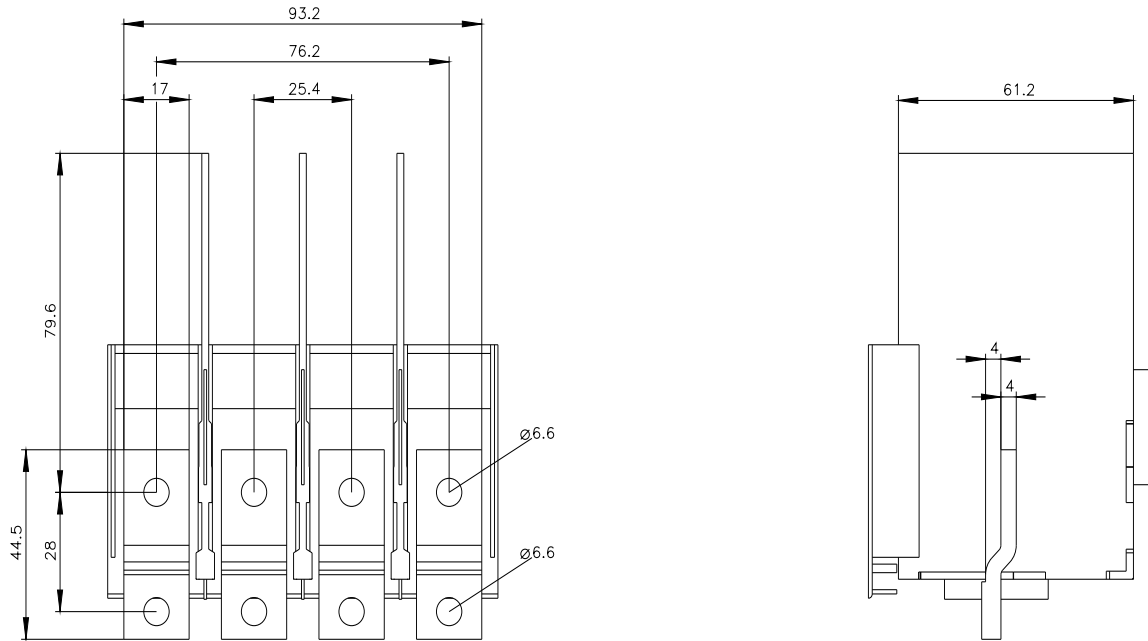


[Miscellaneous](#)



EMV	Maritime application	other	Environment		
		Confirmation	Miscellaneous	Environmental Confirmations	Environmental Confirmations

Further information
<p>Information on the packaging https://support.industry.siemens.com/cs/ww/en/view/109813875</p> <p>Information for data generation and storage https://support.industry.siemens.com/cs/ww/en/view/109995012</p> <p>Information- and Downloadcenter (Catalogs, Brochures,...) https://www.siemens.com/lowvoltage/catalogs</p> <p>Industry Mall (Online ordering system) https://mall.industry.siemens.com/mall/en/en/Catalog/product?mlfb=3VA9134-0QB00</p> <p>Service&Support (Manuals, Certificates, Characteristics, FAQs,...) https://support.industry.siemens.com/cs/ww/en/ps/3VA9134-0QB00</p> <p>Image database (product images, 2D dimension drawings, 3D models, device circuit diagrams, ...) https://www.automation.siemens.com/bilddb/cax_en.aspx?mlfb=3VA9134-0QB00</p> <p>CAX-Online-Generator</p>



last modified:

5/26/2025

