

SACC-P12FR-4PL-CM SH - Connector



1438172

<https://www.phoenixcontact.com/gb/products/1438172>

Please be informed that the data shown in this PDF document is generated from our online catalog. Please find the complete data in the user documentation. Our general terms of use for downloads are valid.



Connector, Universal, 4-position, shielded, Socket angled M12 Push-Pull, coding: A, Push-lock spring connection, knurl material: Zinc die-cast, nickel-plated, external cable diameter 4 mm ... 8 mm

Your advantages

- Time-saving Push-Lock connection: Tool-free connection and disconnection of conductors by opening the contact levers
- Intuitive connection: Easy assignment of individual litz wires with color-coded and numerical identification of the contact levers
- Integrated Push-in Technology: Wire rigid and pretreated conductors easily by means of simple, direct insertion
- Shock- and vibration-resistant connection: Proven spring-cage technology guarantees secure and reliable contacting
- Safely shielded: Reliable 360° shield connection even under extreme mechanical strain
- Save time, thanks to installation with push-pull fast locking

Commercial data

| | |
|--------------------------------------|---------------|
| Item number | 1438172 |
| Packing unit | 1 pc |
| Minimum order quantity | 1 pc |
| Sales key | AF2CFA |
| Product key | AF2CFA |
| GTIN | 4063151814885 |
| Weight per piece (including packing) | 41.3 g |
| Weight per piece (excluding packing) | 22.22 g |
| Customs tariff number | 85366990 |
| Country of origin | DE |

SACC-P12FR-4PL-CM SH - Connector



1438172

<https://www.phoenixcontact.com/gb/products/1438172>

Technical data

Notes

| | |
|---------------|---|
| Assembly note | NOTE: Observe the permissible bending radii when routing cables, since the degree of protection may be at risk if the bending forces are too high. Reduce mechanical loads upstream of the connector, e.g., by using cable ties. |
|---------------|---|

Product properties

| | |
|----------------------|---------------------------------|
| Product type | Circular connector (cable-side) |
| Sensor type | Universal |
| Number of positions | 4 |
| No. of cable outlets | 1 |
| Shielded | yes |
| Coding | A |
| Cable outlet | angled |

Insulation characteristics

| | |
|----------------------|----|
| Overvoltage category | II |
| Degree of pollution | 3 |

Dimensions

External dimensions

| | |
|------------------|---------------|
| Outside diameter | 4 mm ... 8 mm |
|------------------|---------------|

Material specifications

| | |
|--|--|
| Material | TPE-U (Clamping cage, weight: 1.1 g) PA 6 (Actuation lever) |
| Flammability rating according to UL 94 | V0 |
| Seal material | NBR |
| Material of grip body | Zinc die-cast, nickel-plated |
| Contact material | CuSn |
| Contact surface material | Ni/Au |
| Contact carrier material | PA 6.6 |
| Material for screw connection | Zinc die-cast, nickel-plated |
| Standards/regulations | PA 6.6 PA 6 |

Connection data

Conductor connection

| | |
|--------------------------|---|
| Connection method | Push-lock spring connection |
| Connection cross section | 0.14 mm ² ... 0.75 mm ² (without ferrule) 0.08 mm ² ... 0.5 mm ² (with ferrule) 0.14 mm ² ... 0.75 mm ² (solid) |

SACC-P12FR-4PL-CM SH - Connector



1438172

<https://www.phoenixcontact.com/gb/products/1438172>

| | |
|---|--|
| Connection cross section AWG | 26 ... 18 (without ferrule) |
| | 28 ... 20 (with ferrule) |
| Stripping length of the individual wire | 7 mm |
| Tightening torque | 0.8 Nm (Connector with coupling sleeve) |
| | 3 Nm (Pressure nut with coupling sleeve) |

Connection assignment

| | |
|---|--------|
| Contact Color (signal designation) Contact (optional) | 1 = BN |
| | 2 = WH |
| | 3 = BU |
| | 4 = BK |

Electrical properties

| | |
|--------------------------------|--|
| Rated surge voltage | 1.5 kV |
| Contact resistance | ≤ 8 mΩ |
| Insulation resistance | ≥ 100 MΩ |
| Nominal voltage U _N | 48 V AC |
| | 60 V DC |
| Nominal current I _N | 4 A (2 A when using 0.14 mm ² conductors) |

Mechanical properties

Mechanical data

| | |
|-----------------------------|-------|
| Insertion/withdrawal cycles | ≥ 100 |
|-----------------------------|-------|

Connector

Connection 1

| | |
|-------------------|-----------|
| Head design | Socket |
| Head cable outlet | angled |
| Head thread type | M12 |
| Head locking type | Push-Pull |
| Coding | A |

Cable/line

| | |
|---|-----------|
| Signal type/category | Universal |
| Stripping length of the individual wire | 7 mm |

Environmental and real-life conditions

Ambient conditions

| | |
|---|----------------------------------|
| Degree of protection | IP65 |
| | IP67 |
| Ambient temperature (operation) (male connector/female connector) | -40 °C ... 85 °C (Plug / socket) |

Standards and regulations

SACC-P12FR-4PL-CM SH - Connector



1438172

<https://www.phoenixcontact.com/gb/products/1438172>

Testing

| | |
|-----------------------|---|
| Standards/regulations | PA 6.6: Fire protection in rail vehicles - requirement sets R22, R23, R24, R25, and R26 acc. to DIN EN 45545-2 (Risk level HL1 - HL3) |
| | PA 6: Fire protection in rail vehicles - requirement sets R22, R23, and R24 acc. to DIN EN 45545-2 (Risk level HL1 - HL3) |

M12

| | |
|--------------------------|------------------|
| Standard designation | M12 connector |
| Standards/specifications | IEC 61076-2-101 |
| Standard designation | Shock, vibration |
| Standards/specifications | EN 50155 Cat. 1B |
| Standard designation | M12-Push-Pull |
| Standards/specifications | IEC 61076-2-010 |

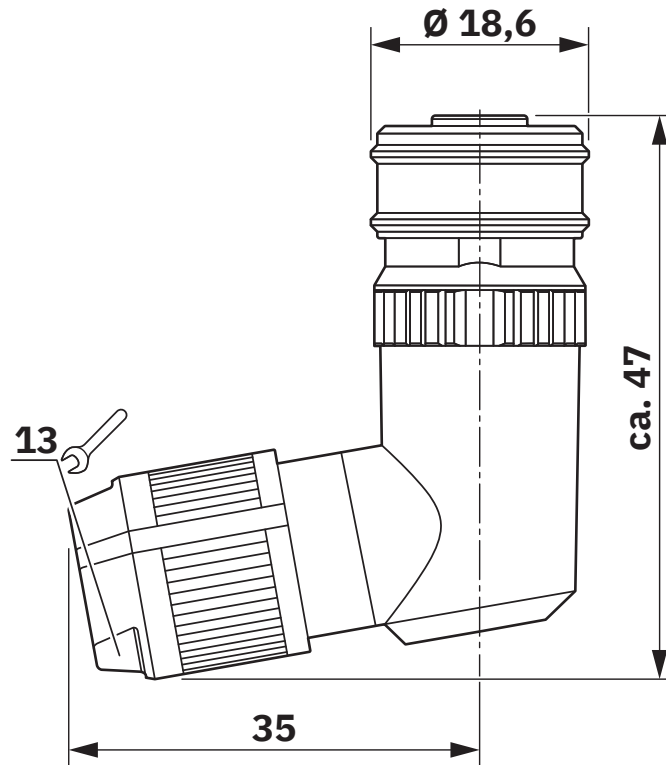
SACC-P12FR-4PL-CM SH - Connector

1438172

<https://www.phoenixcontact.com/gb/products/1438172>

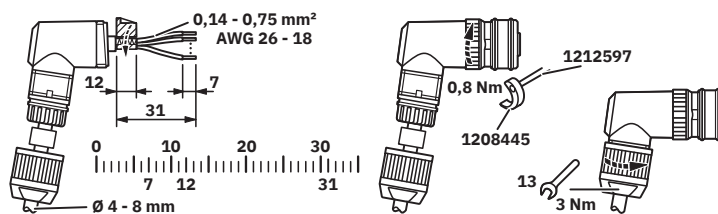
Drawings

Dimensional drawing



Dimensional drawing

Functional drawing



Functional drawing

SACC-P12FR-4PL-CM SH - Connector

1438172

<https://www.phoenixcontact.com/gb/products/1438172>



Schematic diagram



Pin assignment M12 socket, 4-pos., A-coded, view female side

SACC-P12FR-4PL-CM SH - Connector



1438172

<https://www.phoenixcontact.com/gb/products/1438172>

Classifications

ECLASS

| | |
|-------------|----------|
| ECLASS-13.0 | 27440116 |
| ECLASS-15.0 | 27440116 |

ETIM

| | |
|-----------|----------|
| ETIM 10.0 | EC002635 |
|-----------|----------|

UNSPSC

| | |
|-------------|----------|
| UNSPSC 21.0 | 39121400 |
|-------------|----------|

SACC-P12FR-4PL-CM SH - Connector



1438172

<https://www.phoenixcontact.com/gb/products/1438172>

Environmental product compliance

EU RoHS

| | |
|---|--------------------|
| Fulfills EU RoHS substance requirements | Yes, No exemptions |
|---|--------------------|

China RoHS

| | |
|--|--|
| Environment friendly use period (EFUP) | EFUP-E |
| | No hazardous substances above the limits |

EU REACH SVHC

| | |
|-------------------------------------|----------------------------|
| REACH candidate substance (CAS No.) | No substance above 0.1 wt% |
|-------------------------------------|----------------------------|

Phoenix Contact 2026 © - all rights reserved
<https://www.phoenixcontact.com>

PHOENIX CONTACT Ltd
Halesfield 13, Telford
Shropshire, TF7 4PG
01952 681700
info@phoenixcontact.co.uk