

# IBS IL 24 BK-LK-PAC - Bus coupler

2861218

<https://www.phoenixcontact.com/gb/products/2861218>

Please be informed that the data shown in this PDF document is generated from our online catalog. Please find the complete data in the user documentation. Our general terms of use for downloads are valid.



Inline, Bus coupler, INTERBUS, F-SMA connector, transmission speed in the local bus: 500 kbps, degree of protection: IP20, including Inline connector and labeling field

## Product description

The bus coupler connects an Inline station to the INTERBUS remote bus. It provides the supply voltages for the connected analog modules.

## Your advantages

- Remote bus connections using fiber optic technology
- Optical path diagnostics

## Commercial data

Item number	2861218
Packing unit	1 pc
Minimum order quantity	1 pc
Sales key	DRI111
Product key	DRI111
GTIN	4017918894160
Weight per piece (including packing)	282.8 g
Weight per piece (excluding packing)	220 g
Customs tariff number	85389091
Country of origin	DE

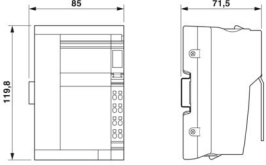
# IBS IL 24 BK-LK-PAC - Bus coupler

2861218

<https://www.phoenixcontact.com/gb/products/2861218>

## Technical data

### Dimensions

Dimensional drawing	
Width	85 mm
Height	119.8 mm
Depth	71.5 mm

### Notes

#### Note on application

Note on application	Only for industrial use
---------------------	-------------------------

### Interfaces

#### INTERBUS

Number of interfaces	2
Connection method	F-SMA connector
Transmission speed	500 kbps
Transmission physics	FO

#### Inline local bus

Number of interfaces	1
Connection method	Inline data jumper
Transmission speed	500 kbps

### System properties

#### System limits

Number of supported devices	max. 63
Number of local bus devices that can be connected	max. 63
Number of devices with parameter channel	max. 62
Number of supported branch terminals with remote bus branch	max. 15

#### Module

ID code (dec.)	04
ID code (hex)	04
Length code (hex)	00
Length code (dec)	00
Process data channel	0 bit
Input address area	0 Byte

# IBS IL 24 BK-LK-PAC - Bus coupler



2861218

<https://www.phoenixcontact.com/gb/products/2861218>

Output address area	0 Byte
Register length	0 bit

## Product properties

Product type	I/O component
Product family	Inline
Type	modular
Scope of supply	including Inline connector and labeling field

## Electrical properties

Maximum power dissipation for nominal condition	5.4 W
Protective circuit	Short-circuit protection of the communications power; electronic
	Short-circuit protection of the analog supply; electronic
	Surge protection (bus coupler supply)
	Protection against polarity reversal (bus coupler supply)

## Potentials

Protective circuit	Surge protection of the supply voltage
	Polarity reversal protection of the supply voltage

Potentials: Bus coupler supply  $U_{BK}$ ; Communications power  $U_L$  (7.5 V) and the analog supply  $U_{ANA}$  (24 V) are generated from the bus coupler supply.

Supply voltage	24 V DC (via Inline connector)
Supply voltage range	19.2 V DC ... 30 V DC (including all tolerances, including ripple)
Current draw	max. 1.35 A (with max. number of connected I/O terminal blocks)
	typ. 90 mA (without connected Inline I/O terminals)

## Potentials: Communications power ( $U_L$ )

Supply voltage	7.5 V DC $\pm 5\%$
Power supply	max. 2 A

## Potentials: Supply of analog modules ( $U_{ANA}$ )

Supply voltage	24 V DC
Supply voltage range	19.2 V DC ... 30 V DC (including all tolerances, including ripple)
Power supply	max. 0.5 A

## Electrical isolation/isolation of the voltage ranges

Test voltage: 7.5 V communications power, 24 V analog supply, 24 V bus coupler supply/functional ground	500 V AC, 50 Hz, 1 min
---	------------------------

## Connection data

### Connection technology

Connection name	Inline connector
-----------------	------------------

### Inline connector

Connection method	Spring-cage connection
Conductor cross-section, rigid	0.08 mm <sup>2</sup> ... 1.5 mm <sup>2</sup>

# IBS IL 24 BK-LK-PAC - Bus coupler



2861218

<https://www.phoenixcontact.com/gb/products/2861218>

Conductor cross-section, flexible	0.08 mm <sup>2</sup> ... 1.5 mm <sup>2</sup>
Conductor cross-section AWG	28 ... 16
Stripping length	8 mm

## Environmental and real-life conditions

### Ambient conditions

Ambient temperature (operation)	-25 °C ... 55 °C
Degree of protection	IP20
Air pressure (operation)	70 kPa ... 106 kPa (up to 3000 m above sea level)
Air pressure (storage/transport)	70 kPa ... 106 kPa (up to 3000 m above sea level)
Ambient temperature (storage/transport)	-25 °C ... 85 °C
Permissible humidity (operation)	10 % ... 95 % (non-condensing)
Permissible humidity (storage/transport)	10 % ... 95 % (non-condensing)

## Standards and regulations

Protection class	III (IEC 61140, EN 61140, VDE 0140-1)
------------------	---------------------------------------

## Mounting

Mounting type	DIN rail mounting
---------------	-------------------

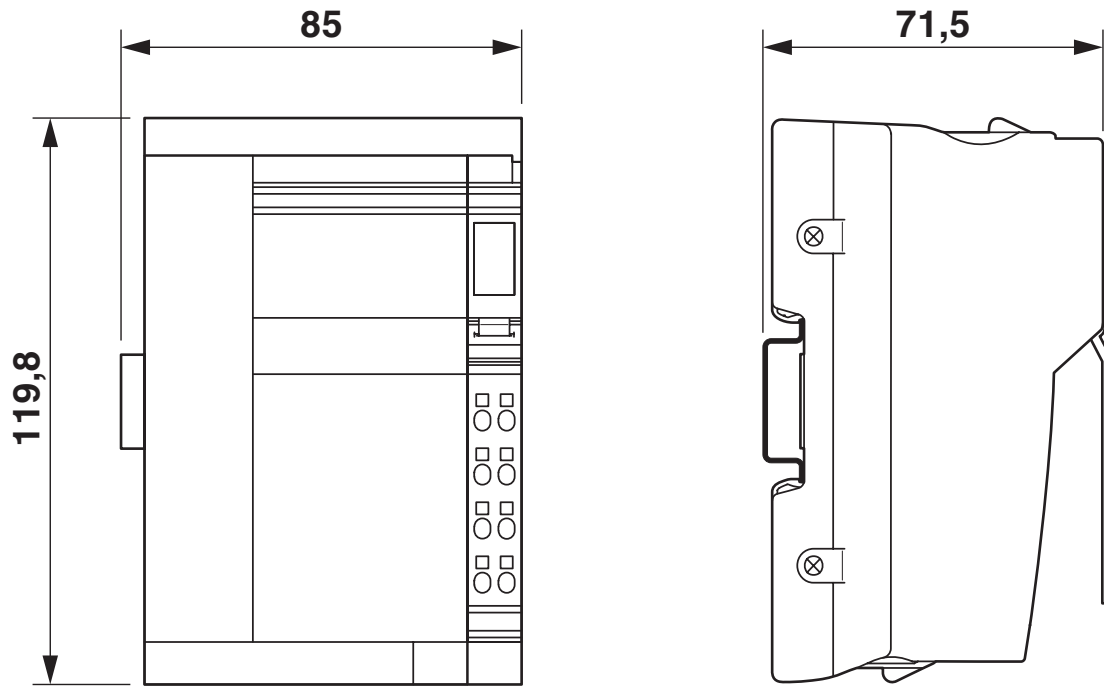
# IBS IL 24 BK-LK-PAC - Bus coupler

2861218

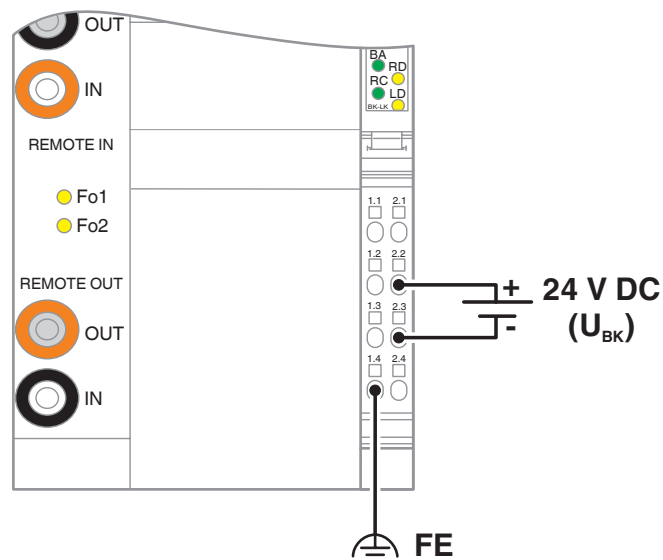
<https://www.phoenixcontact.com/gb/products/2861218>

## Drawings

Dimensional drawing



Connection diagram

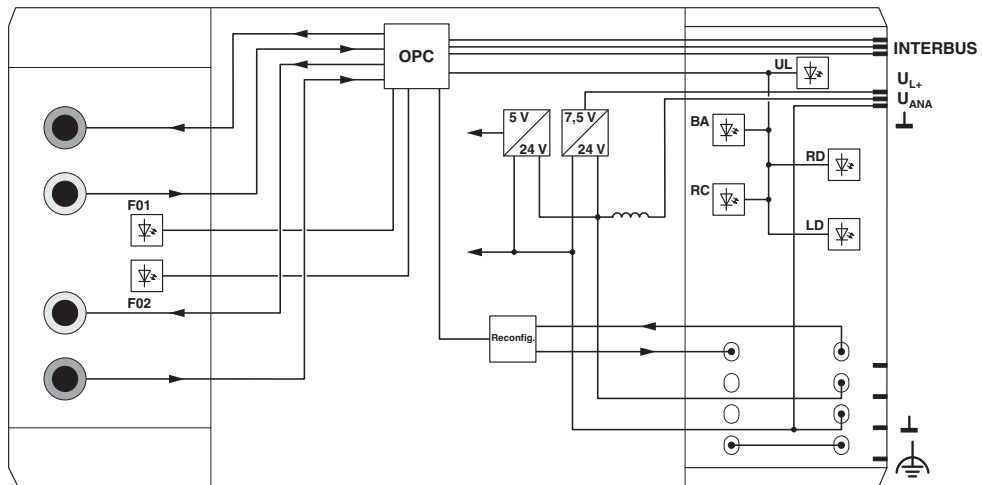


# IBS IL 24 BK-LK-PAC - Bus coupler

2861218

<https://www.phoenixcontact.com/gb/products/2861218>

Block diagram



# IBS IL 24 BK-LK-PAC - Bus coupler



2861218

<https://www.phoenixcontact.com/gb/products/2861218>

## Approvals

To download certificates, visit the product detail page: <https://www.phoenixcontact.com/gb/products/2861218>



**EAC**

Approval ID: TR TS\_S\_03508-21



**DNV GL**

Approval ID: TAA00000BN

**BSH**

Approval ID: 658a



**cULus Recognized**

Approval ID: E140324

# IBS IL 24 BK-LK-PAC - Bus coupler



2861218

<https://www.phoenixcontact.com/gb/products/2861218>

## Classifications

### ECLASS

ECLASS-13.0	27242608
ECLASS-15.0	27242608

### ETIM

ETIM 10.0	EC001604
-----------	----------

### UNSPSC

UNSPSC 21.0	32151600
-------------	----------

# IBS IL 24 BK-LK-PAC - Bus coupler



2861218

<https://www.phoenixcontact.com/gb/products/2861218>

## Environmental product compliance

### EU RoHS

Fulfills EU RoHS substance requirements	Yes
Exemption	7(a), 7(c)-I

### China RoHS

Environment friendly use period (EFUP)	EFUP-E
	No hazardous substances above the limits

### EU REACH SVHC

REACH candidate substance (CAS No.)	Lead(CAS: 7439-92-1)
SCIP	af64eba8-a4c4-40dc-abd5-7e211e08c985

Phoenix Contact 2026 © - all rights reserved  
<https://www.phoenixcontact.com>

PHOENIX CONTACT Ltd  
Halesfield 13, Telford  
Shropshire, TF7 4PG  
01952 681700  
[info@phoenixcontact.co.uk](mailto:info@phoenixcontact.co.uk)