

# RAD-ADP-N/F-N/F - Adapter



2867843

<https://www.phoenixcontact.com/gb/products/2867843>

Please be informed that the data shown in this PDF document is generated from our online catalog. Please find the complete data in the user documentation. Our general terms of use for downloads are valid.

Antenna adapter for control cabinet feed-through, frequency range: 0.3 GHz ... 6 GHz, degree of protection: IP65, connection: 2 x N (female)



## Your advantages

- Space-saving, thanks to the compact design
- Easy installation with system-conforming connection technology
- For adapting between antenna cables
- For control cabinet feed-through

## Commercial data

|                                      |               |
|--------------------------------------|---------------|
| Item number                          | 2867843       |
| Packing unit                         | 1 pc          |
| Minimum order quantity               | 1 pc          |
| Sales key                            | DNN2Z1        |
| Product key                          | DNN2Z1        |
| GTIN                                 | 4046356046923 |
| Weight per piece (including packing) | 51.2 g        |
| Weight per piece (excluding packing) | 50.6 g        |
| Customs tariff number                | 85366910      |
| Country of origin                    | CN            |

# RAD-ADP-N/F-N/F - Adapter

2867843

<https://www.phoenixcontact.com/gb/products/2867843>



## Technical data

### Notes

#### Note on application

|                     |                         |
|---------------------|-------------------------|
| Note on application | Only for industrial use |
|---------------------|-------------------------|

### Product properties

|              |                 |
|--------------|-----------------|
| Product type | Coaxial adapter |
|--------------|-----------------|

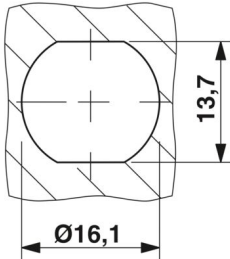
### Electrical properties

|                 |                   |
|-----------------|-------------------|
| Frequency range | 0.3 GHz ... 6 GHz |
| Impedance       | 50 $\Omega$       |

### Connection data

|                   |            |
|-------------------|------------|
| Connection method | N (female) |
|-------------------|------------|

### Dimensions

|                     |  |
|---------------------|--|
| Dimensional drawing |  |
| Width               | 38 mm  |
| Diameter            | 16.5 mm  |
| Hole diameter       | 16.1 mm  |

### Material specifications

|                  |              |
|------------------|--------------|
| Housing material | Brass (CuZn) |
|------------------|--------------|

### Environmental and real-life conditions

#### Ambient conditions

|   |                       |
|---|-----------------------|
| Degree of protection                    | IP65 (when installed) |
| Ambient temperature (operation)         | -65 °C ... 165 °C     |
| Ambient temperature (storage/transport) | -65 °C ... 165 °C     |

### Mounting

|               |                                     |
|---------------|-------------------------------------|
| Assembly note | Outdoors and indoors                |
|               | Connection-specific attachment plug |

# RAD-ADP-N/F-N/F - Adapter

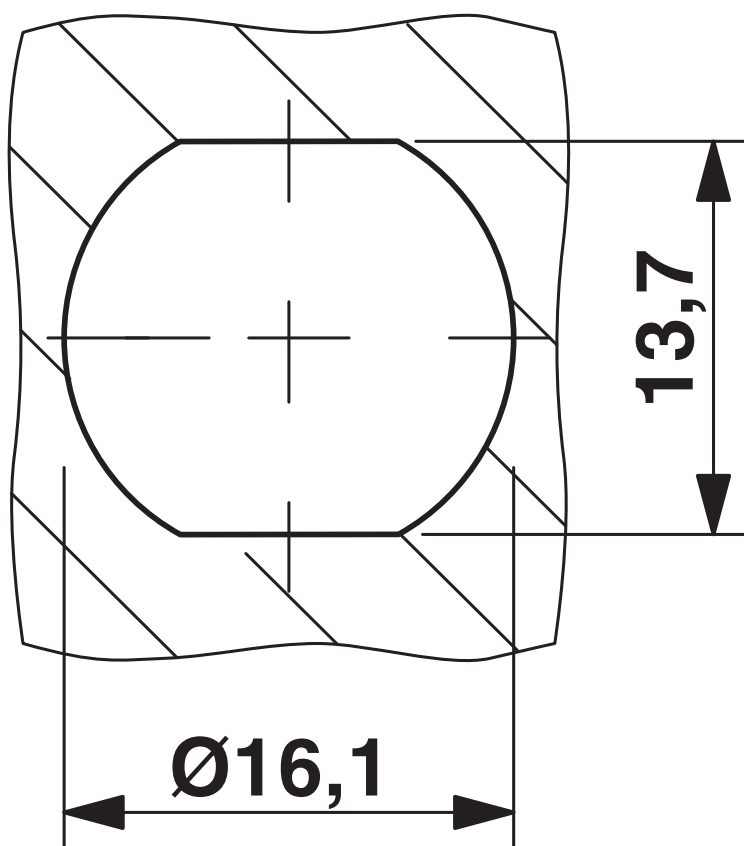
2867843

<https://www.phoenixcontact.com/gb/products/2867843>



## Drawings

Dimensional drawing



Drill holes

# RAD-ADP-N/F-N/F - Adapter



2867843

<https://www.phoenixcontact.com/gb/products/2867843>

## Classifications

### ECLASS

|             |          |
|-------------|----------|
| ECLASS-13.0 | 19070417 |
| ECLASS-15.0 | 19070417 |

### ETIM

|           |          |
|-----------|----------|
| ETIM 10.0 | EC001135 |
|-----------|----------|

### UNSPSC

|             |          |
|-------------|----------|
| UNSPSC 21.0 | 39121400 |
|-------------|----------|

# RAD-ADP-N/F-N/F - Adapter



2867843

<https://www.phoenixcontact.com/gb/products/2867843>

## Environmental product compliance

### EU RoHS

|   |      |
|---|------|
| Fulfills EU RoHS substance requirements | Yes  |
| Exemption                               | 6(c) |

### China RoHS

|  |  |
|--|--|
| Environment friendly use period (EFUP) | EFUP-E                                   |
|  | No hazardous substances above the limits |

### EU REACH SVHC

|                                     |                                      |
|-------------------------------------|--------------------------------------|
| REACH candidate substance (CAS No.) | Lead(CAS: 7439-92-1)                 |
| SCIP                                | 0fb381eb-78b8-48aa-b33d-4f60d783578f |

### EF3.1 Climate Change

|         |               |
|---------|---------------|
| CO2e kg | 1.764 kg CO2e |
|---------|---------------|

Phoenix Contact 2026 © - all rights reserved  
<https://www.phoenixcontact.com>

PHOENIX CONTACT Ltd  
Halesfield 13, Telford  
Shropshire, TF7 4PG  
01952 681700  
[info@phoenixcontact.co.uk](mailto:info@phoenixcontact.co.uk)