

Product datasheet

Specifications



ADDITIONAL BLK 2X35² 3P/ LINERGY DP 250A

LVS04155

EAN Code: 3606481883315

Main

Range	Linergy
Range of product	Linergy
Product or component type	Distribution block
Product name	Linergy DP
Range compatibility	PrismaSeT PrismaSeT G enclosure PrismaSeT PrismaSeT P enclosure Linergy Linergy DP distribution block ComPact ComPact NSX ComPact ComPacT INS ComPact Compact INV
Accessory / separate part category	Current distribution accessory
IP degree of protection	IPxx B

Complementary

Mounting support	Mounting plate
Installed device	EasyPact: CVS100...250 ComPact: NSX100...250 ComPact: INV100...250 ComPact: INS100...160 ComPact: INS250
Poles description	3P
[Ue] rated operational voltage	690 V AC
[Ui] rated insulation voltage	750 V AC
[Uimp] rated impulse withstand voltage	8 kV
[Ie] rated operational current	250 A at 40 °C
[Icw] rated short-time withstand current	8.5 kA for 1 s
[Ipk] rated peak withstand current	30 kA
Connections - terminals	Supply: direct connection 120 mm ² Distribution: screw terminal, 2 x 35 mm ²
Product weight	0.235 kg
Colour	Anthracite grey (RAL 7016)

Environment

Pollution degree	3
Overvoltage category	III
Resistance to incandescent wire	960 °C conforming to IEC 60695-2-11

Standards	IEC 60947-7-1 IEC 61439-1, inside enclosure IEC 61439-2, inside enclosure
Product certifications	ASTA
Ambient air temperature for operation	-25...55 °C

Packing Units

Unit Type of Package 1	PCE
Number of Units in Package 1	1
Package 1 Height	6 cm
Package 1 Width	8.3 cm
Package 1 Length	14.5 cm
Package 1 Weight	230 g
Unit Type of Package 2	S02
Number of Units in Package 2	12
Package 2 Height	15 cm
Package 2 Width	30 cm
Package 2 Length	40 cm
Package 2 Weight	3.008 kg

Contractual warranty

Warranty (in months)	18
-----------------------------	----



Environmental Data

Schneider Electric aims to achieve Net Zero status by 2050 through supply chain partnerships, lower impact materials, and circularity via our ongoing “Use Better, Use Longer, Use Again” campaign to extend product lifetimes and recyclability.

[Environmental Data explained >](#)

[How we assess product sustainability >](#)



Environmental footprint

[Environmental Disclosure](#)

[Product Environmental Profile](#)

Use Better



Materials and Substances

Packaging made with recycled cardboard

Yes

Packaging without single use plastic

Yes

EU RoHS Directive

[Compliant](#)

REACH Regulation

[Free of Substances of Very High Concern above the threshold](#)

Halogen-free status

Halogen free plastic parts product

PVC free

Yes

Silicone-free

Yes

Use Longer



Lifetime extension

Repair

No

Use Again



Repack and remanufacture

End of life manual availability

No need of specific recycling operations

Take-back

No

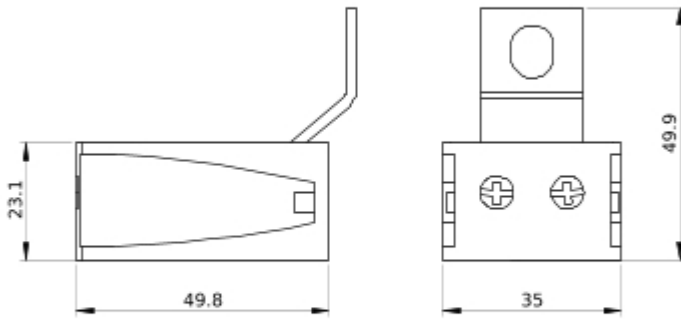
WEEE Label



The product must be disposed on European Union markets following specific waste collection and never end up in rubbish bins

Technical Illustration

Dimensions



- All dimensions are approximate and are in
- Also see technical documentation.