



power contactor, AC-3e/AC-3, 80 A, 37 kW / 400 V, 3-pole, 175-280 V AC/DC, 50/60 Hz, with integrated varistor, auxiliary contacts: 1 NC, screw terminal, size: S3, F-PLC-IN

product brand name	SIRIUS
product designation	Power contactor
product type designation	3RT2
General technical data	
size of contactor	S3
product extension	
• function module for communication	No
• auxiliary switch	Yes
power loss [W] for rated value of the current	
• at AC in hot operating state	15.9 W
• at AC in hot operating state per pole	5.3 W
• without load current share typical	3.5 W
type of calculation of power loss current-dependent	quadratic
insulation voltage	
• of main circuit with degree of pollution 3 rated value	1 000 V
• of auxiliary circuit with degree of pollution 3 rated value	690 V
surge voltage resistance	
• of main circuit rated value	8 kV
• of auxiliary circuit rated value	6 kV
maximum permissible voltage for protective separation between coil and main contacts according to EN 60947-1	690 V
shock resistance at rectangular impulse	
• at AC	10.3 g / 5 ms, 6.7 g / 10 ms
• at DC	6.7 g / 5 ms, 4 g / 10 ms
shock resistance with sine pulse	
• at AC	16.3 g / 5 ms, 10.5 g / 10 ms
• at DC	10.6 g / 5 ms, 6.3 g / 10 ms
mechanical service life (operating cycles)	
• of contactor typical	5 000 000
• of the contactor with added electronically optimized auxiliary switch block typical	5 000 000
• of the contactor with added auxiliary switch block typical	5 000 000
reference code according to IEC 81346-2	Q
Substance Prohibitance (Date)	01/29/2021
SVHC substance name	Lead CAS-No. 7439-92-1 Lead monoxide (lead oxide) CAS-No. 1317-36-8 2-methyl-1-(4-methylthiophenyl)-2-morpholinopropan-1-one CAS-No. 71868-10-5 Melamine CAS-No. 108-78-1
Net Weight	1.806 kg
Ambient conditions	

installation altitude at height above sea level maximum	2 000 m
ambient temperature	
• during operation	-25 ... +60 °C
• during storage	-55 ... +80 °C
relative humidity minimum	10 %
relative humidity at 55 °C according to IEC 60068-2-30 maximum	95 %
Main circuit	
number of poles for main current circuit	3
number of NO contacts for main contacts	3
number of NC contacts for main contacts	0
operating voltage	
• at AC-3 rated value maximum	1 000 V
• at AC-3e rated value maximum	1 000 V
operational current	
• at AC-1 at 400 V at ambient temperature 40 °C rated value	125 A
• at AC-1	
— up to 690 V at ambient temperature 40 °C rated value	125 A
— up to 690 V at ambient temperature 60 °C rated value	105 A
• at AC-3	
— at 400 V rated value	80 A
— at 500 V rated value	80 A
— at 690 V rated value	58 A
— at 1000 V rated value	30 A
• at AC-3e	
— at 400 V rated value	80 A
— at 500 V rated value	80 A
— at 690 V rated value	58 A
— at 1000 V rated value	30 A
• at AC-4 at 400 V rated value	66 A
• at AC-5a up to 690 V rated value	110 A
• at AC-5b up to 400 V rated value	80 A
• at AC-6a	
— up to 230 V for current peak value n=20 rated value	80 A
— up to 400 V for current peak value n=20 rated value	80 A
— up to 500 V for current peak value n=20 rated value	80 A
— up to 690 V for current peak value n=20 rated value	58 A
• at AC-6a	
— up to 230 V for current peak value n=30 rated value	54 A
— up to 400 V for current peak value n=30 rated value	54 A
— up to 500 V for current peak value n=30 rated value	54 A
— up to 690 V for current peak value n=30 rated value	54 A
minimum cross-section in main circuit at maximum AC-1 rated value	50 mm ²
operational current for approx. 200000 operating cycles at AC-4	
• at 400 V rated value	34 A
• at 690 V rated value	24 A
operational current	
• at 1 current path at DC-1	
— at 24 V rated value	100 A
— at 60 V rated value	60 A
— at 110 V rated value	9 A
— at 220 V rated value	2 A
— at 440 V rated value	0.6 A
— at 600 V rated value	0.4 A
• with 2 current paths in series at DC-1	
— at 24 V rated value	100 A

— at 60 V rated value	100 A
— at 110 V rated value	100 A
— at 220 V rated value	10 A
— at 440 V rated value	1.8 A
— at 600 V rated value	1 A
• with 3 current paths in series at DC-1	
— at 24 V rated value	100 A
— at 60 V rated value	100 A
— at 110 V rated value	100 A
— at 220 V rated value	80 A
— at 440 V rated value	4.5 A
— at 600 V rated value	2.6 A
• at 1 current path at DC-3 at DC-5	
— at 24 V rated value	40 A
— at 60 V rated value	6 A
— at 110 V rated value	2.5 A
— at 220 V rated value	1 A
— at 440 V rated value	0.15 A
— at 600 V rated value	0.06 A
• with 2 current paths in series at DC-3 at DC-5	
— at 24 V rated value	100 A
— at 60 V rated value	100 A
— at 110 V rated value	100 A
— at 220 V rated value	7 A
— at 440 V rated value	0.42 A
— at 600 V rated value	0.16 A
• with 3 current paths in series at DC-3 at DC-5	
— at 24 V rated value	100 A
— at 60 V rated value	100 A
— at 110 V rated value	100 A
— at 220 V rated value	35 A
— at 440 V rated value	0.8 A
— at 600 V rated value	0.35 A
operating power	
• at AC-2 at 400 V rated value	37 kW
• at AC-3	
— at 230 V rated value	22 kW
— at 400 V rated value	37 kW
— at 500 V rated value	45 kW
— at 690 V rated value	55 kW
— at 1000 V rated value	37 kW
• at AC-3e	
— at 230 V rated value	22 kW
— at 400 V rated value	37 kW
— at 500 V rated value	45 kW
— at 690 V rated value	55 kW
— at 1000 V rated value	37 kW
operating power for approx. 200000 operating cycles at AC-4	
• at 400 V rated value	17.9 kW
• at 690 V rated value	21.8 kW
operating apparent power at AC-6a	
• up to 400 V for current peak value n=20 rated value	55 kVA
• up to 500 V for current peak value n=20 rated value	69 kVA
• up to 690 V for current peak value n=20 rated value	69 kVA
operating apparent power at AC-6a	
• up to 230 V for current peak value n=30 rated value	21.5 kVA
• up to 400 V for current peak value n=30 rated value	37.4 kVA
• up to 500 V for current peak value n=30 rated value	46.7 kVA

<ul style="list-style-type: none"> • up to 690 V for current peak value n=30 rated value 	64.5 kVA
short-time withstand current in cold operating state up to 40 °C <ul style="list-style-type: none"> • limited to 1 s switching at zero current maximum • limited to 5 s switching at zero current maximum • limited to 10 s switching at zero current maximum • limited to 30 s switching at zero current maximum • limited to 60 s switching at zero current maximum 	1 500 A; Use minimum cross-section acc. to AC-1 rated value 1 186 A; Use minimum cross-section acc. to AC-1 rated value 851 A; Use minimum cross-section acc. to AC-1 rated value 538 A; Use minimum cross-section acc. to AC-1 rated value 423 A; Use minimum cross-section acc. to AC-1 rated value
no-load switching frequency <ul style="list-style-type: none"> • at AC • at DC 	1 000 1/h 1 000 1/h
operating frequency <ul style="list-style-type: none"> • at AC-1 maximum • at AC-2 maximum • at AC-3 maximum • at AC-3e <ul style="list-style-type: none"> — maximum • at AC-4 maximum 	900 1/h 400 1/h 1 000 1/h 1 000 1/h 300 1/h
Control circuit/ Control	
type of voltage of the control supply voltage	AC/DC
control supply voltage at AC <ul style="list-style-type: none"> • at 50 Hz rated value • at 60 Hz rated value 	175 ... 280 V 175 ... 280 V
control supply voltage at DC rated value	175 ... 280 V
operating range factor control supply voltage rated value of magnet coil at DC <ul style="list-style-type: none"> • initial value • full-scale value 	0.8 1.1
operating range factor control supply voltage rated value of magnet coil at AC <ul style="list-style-type: none"> • at 50 Hz • at 60 Hz 	0.8 ... 1.1 0.8 ... 1.1
type of PLC-control input according to IEC 60947-1	Type 1
consumed current at PLC-control input according to IEC 60947-1 maximum	11 mA
voltage at PLC-control input rated value	24 V
operating range factor of the voltage at PLC-control input	0.8 ... 1.1
design of the surge suppressor	with varistor
inrush current peak	32 A
duration of inrush current peak	10 µs
pickup current mean value	0.5 A
pickup current peak	1.2 A
duration of pickup current	150 ms
holding current mean value	0.01 A
apparent pick-up power of magnet coil at AC <ul style="list-style-type: none"> • at 50 Hz • at 60 Hz 	163 VA 163 VA
apparent holding power <ul style="list-style-type: none"> • at minimum rated control supply voltage at DC • at maximum rated control supply voltage at DC 	1.8 VA 1.8 VA
apparent holding power <ul style="list-style-type: none"> • at minimum rated control supply voltage at AC <ul style="list-style-type: none"> — at 50 Hz — at 60 Hz • at maximum rated control supply voltage at AC <ul style="list-style-type: none"> — at 50 Hz — at 60 Hz 	2.4 VA 2.4 VA 2.4 VA 2.4 VA
apparent holding power of magnet coil at AC <ul style="list-style-type: none"> • at 50 Hz • at 60 Hz 	2.4 VA 2.4 VA

inductive power factor with the holding power of the coil	
• at 50 Hz	0.95
• at 60 Hz	0.95
closing power of magnet coil at DC	130 W
holding power of magnet coil at DC	1.8 W
closing delay	
• at AC	50 ... 70 ms
• at DC	50 ... 70 ms
opening delay	
• at AC	38 ... 57 ms
• at DC	38 ... 57 ms
recovery time after power failure typical	2.1 s
arcing time	10 ... 20 ms
control version of the switch operating mechanism	Fail-safe PLC input (F-PLC-IN)
Auxiliary circuit	
number of NC contacts for auxiliary contacts instantaneous contact	1
number of NO contacts for auxiliary contacts instantaneous contact	0
operational current at AC-12 maximum	10 A
operational current at AC-15	
• at 230 V rated value	6 A
• at 400 V rated value	3 A
• at 500 V rated value	2 A
• at 690 V rated value	1 A
operational current at DC-12	
• at 24 V rated value	10 A
• at 48 V rated value	6 A
• at 60 V rated value	6 A
• at 110 V rated value	3 A
• at 125 V rated value	2 A
• at 220 V rated value	1 A
• at 600 V rated value	0.15 A
operational current at DC-13	
• at 24 V rated value	10 A
• at 48 V rated value	2 A
• at 60 V rated value	2 A
• at 110 V rated value	1 A
• at 125 V rated value	0.9 A
• at 220 V rated value	0.3 A
• at 600 V rated value	0.1 A
contact reliability of auxiliary contacts	1 faulty switching per 100 million (17 V, 1 mA)
UL/CSA ratings	
full-load current (FLA) for 3-phase AC motor	
• at 480 V rated value	77 A
• at 600 V rated value	62 A
yielded mechanical performance [hp]	
• for single-phase AC motor	
— at 110/120 V rated value	7.5 hp
— at 230 V rated value	15 hp
• for 3-phase AC motor	
— at 200/208 V rated value	25 hp
— at 220/230 V rated value	30 hp
— at 460/480 V rated value	60 hp
— at 575/600 V rated value	60 hp
contact rating of auxiliary contacts according to UL	A600 / P600
Short-circuit protection	
design of the miniature circuit breaker for short-circuit protection of the auxiliary circuit up to 230 V	C characteristic: 10 A; 0.4 kA
design of the fuse link	

- for short-circuit protection of the main circuit
 - with type of coordination 1 required
 - with type of coordination 2 required
- for short-circuit protection of the auxiliary switch required

gG: 250 A (690 V, 100 kA), aM: 160 A (690 V, 100 kA), BS88: 200 A (415 V, 80 kA)
 gG: 160 A (690 V, 100 kA), aM: 80 A (690 V, 100 kA), BS88: 125 A (415 V, 80 kA)
 gG: 10 A (500 V, 1 kA)

Installation/ mounting/ dimensions

mounting position	+/-180° rotation possible on vertical mounting surface; can be tilted forward and backward by +/- 22.5° on vertical mounting surface
fastening method side-by-side mounting	Yes
fastening method	screw and snap-on mounting onto 35 mm DIN rail according to DIN EN 60715
height	140 mm
width	70 mm
depth	152 mm
required spacing	
<ul style="list-style-type: none"> • with side-by-side mounting <ul style="list-style-type: none"> — forwards — upwards — downwards — at the side • for grounded parts <ul style="list-style-type: none"> — forwards — upwards — at the side — downwards • for live parts <ul style="list-style-type: none"> — forwards — upwards — downwards — at the side 	20 mm 10 mm 10 mm 0 mm 20 mm 10 mm 10 mm 10 mm 20 mm 10 mm 10 mm 10 mm

Connections/ Terminals

type of electrical connection	
<ul style="list-style-type: none"> • for main current circuit • for auxiliary and control circuit • at contactor for auxiliary contacts • of magnet coil 	screw-type terminals screw-type terminals Screw-type terminals Screw-type terminals
type of connectable conductor cross-sections	
<ul style="list-style-type: none"> • for main contacts <ul style="list-style-type: none"> — finely stranded with core end processing • for AWG cables for main contacts 	2x (2.5 ... 35 mm ²), 1x (2.5 ... 50 mm ²) 2x (10 ... 1/0), 1x (10 ... 2/0)
connectable conductor cross-section for main contacts	
<ul style="list-style-type: none"> • solid • stranded • finely stranded with core end processing 	2.5 ... 16 mm ² 6 ... 70 mm ² 2.5 ... 50 mm ²
connectable conductor cross-section for auxiliary contacts	
<ul style="list-style-type: none"> • solid or stranded • finely stranded with core end processing 	0.5 ... 2.5 mm ² 0.5 ... 2.5 mm ²
type of connectable conductor cross-sections	
<ul style="list-style-type: none"> • for auxiliary contacts <ul style="list-style-type: none"> — solid or stranded — finely stranded with core end processing • for AWG cables for auxiliary contacts 	2x (0.5 ... 1.5 mm ²), 2x (0.75 ... 2.5 mm ²) 2x (0.5 ... 1.5 mm ²), 2x (0.75 ... 2.5 mm ²) 2x (20 ... 16), 2x (18 ... 14)
AWG number extended as coded connectable conductor cross section for main contacts	10 ... 2/0
AWG number as coded connectable conductor cross section for auxiliary contacts	20 ... 14

Safety related data

product function	
<ul style="list-style-type: none"> • mirror contact according to IEC 60947-4-1 • positively driven operation according to IEC 60947-5-1 	Yes No

• suitable for safety function	Yes
suitability for use safety-related switching OFF	Yes
safe state	off
test wear-related service life necessary	Yes
diagnostics test interval by internal test function maximum	28 800 s
stop category according to IEC 60204-1	0
proportion of dangerous failures	
• with low demand rate according to SN 31920	40 %
• with high demand rate according to SN 31920	73 %
B10 value with high demand rate according to SN 31920	1 000 000
failure rate [FIT] with low demand rate according to SN 31920	100 FIT
MTBF	52 a
IEC 62061	
Safety Integrity Level (SIL) according to IEC 62061	SIL 2
PFHD with high demand rate according to IEC 62061	8E-8 1/h
ISO 13849	
performance level (PL) according to ISO 13849-1	PL c
category according to ISO 13849-1	2
device type according to ISO 13849-1	1
overdimensioning according to ISO 13849-2 necessary	Yes
IEC 61508	
Safety Integrity Level (SIL) according to IEC 61508	2
safety device type according to IEC 61508-2	Type B
PFHD with high demand rate according to IEC 61508	8E-8 1/h
PFDavg with low demand rate according to IEC 61508	0.0067
Safe failure fraction (SFF)	96 %
hardware fault tolerance according to IEC 61508	0
T1 value of service life according to IEC 61508	20 a
Electrical Safety	
protection class IP on the front according to IEC 60529	IP20
touch protection on the front according to IEC 60529	finger-safe, for vertical contact from the front

Approvals Certificates

Environment	General Product Approval
-------------	--------------------------

[Environmental Confirmations](#)



Functional Safety	Maritime application	other
-------------------	----------------------	-------

[Type Examination Certificate](#)



[Confirmation](#)

Further information

Information on the packaging

<https://support.industry.siemens.com/cs/ww/en/view/109813875>

Information for data generation and storage

<https://support.industry.siemens.com/cs/ww/en/view/109995012>

Information- and Downloadcenter (Catalogs, Brochures,...)

<https://www.siemens.com/ic10>

Industry Mall (Online ordering system)

<https://mall.industry.siemens.com/mall/en/en/Catalog/product?mlfb=3RT2045-1SP30>

Service&Support (Manuals, Certificates, Characteristics, FAQs,...)

<https://support.industry.siemens.com/cs/ww/en/ps/3RT2045-1SP30>

Image database (product images, 2D dimension drawings, 3D models, device circuit diagrams, EPLAN macros, ...)

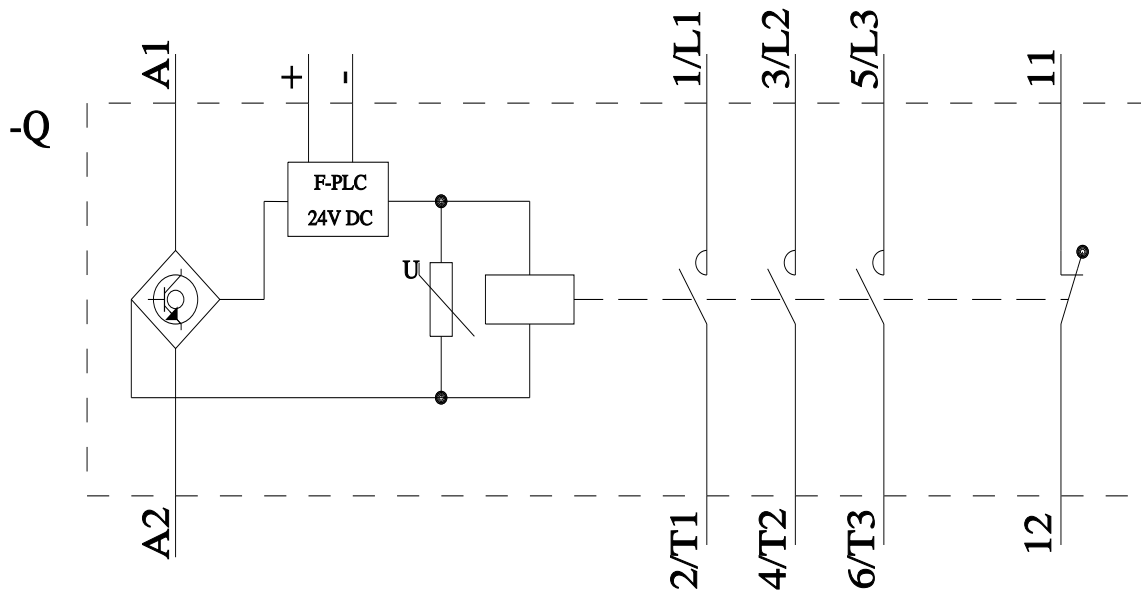
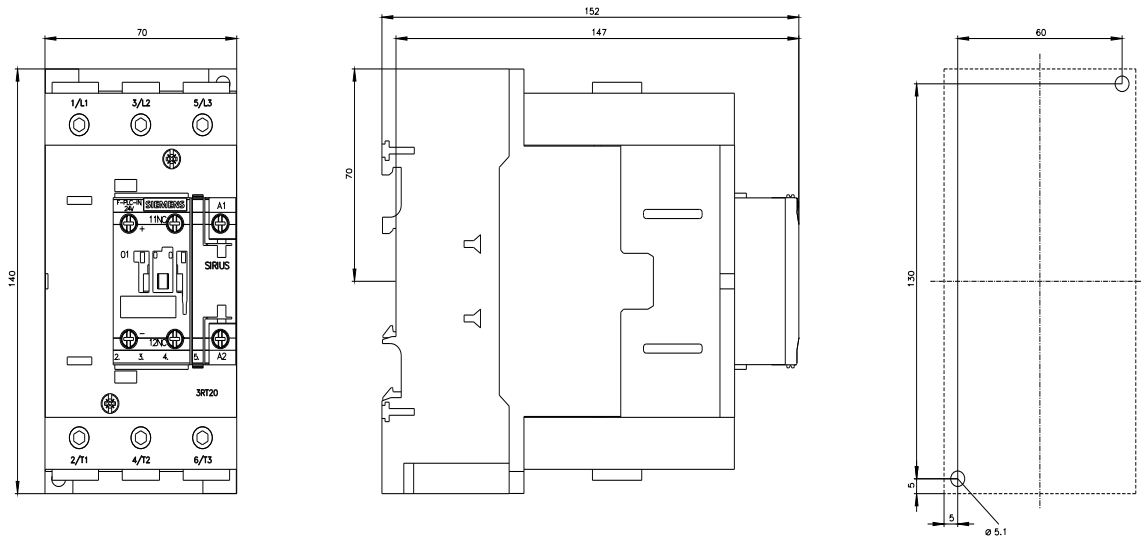
https://www.automation.siemens.com/bilddb/cax_de.aspx?mlfb=3RT2045-1SP30&lang=en

Cax online generator

<https://support.automation.siemens.com/WW/CAXorder/default.aspx?lang=en&mlfb=3RT2045-1SP30>

Characteristic curves

https://curves.simaris.siemens.com/curves/<mmp_prod_noCOMP='HAUPT'></mmp_prod_no>



last modified:

4/4/2026 