

EOL - MPS POWER SUPPLY 3-PHASE,

IN: 360-550VAC OUT: 22-28V/40ADC

Art.No.: 85069

Weight: 5,500 kg

Country of origin: CZ

Model designation: MPS 40-3X400-500/24

INPUT: 3 × 360...550 V AC

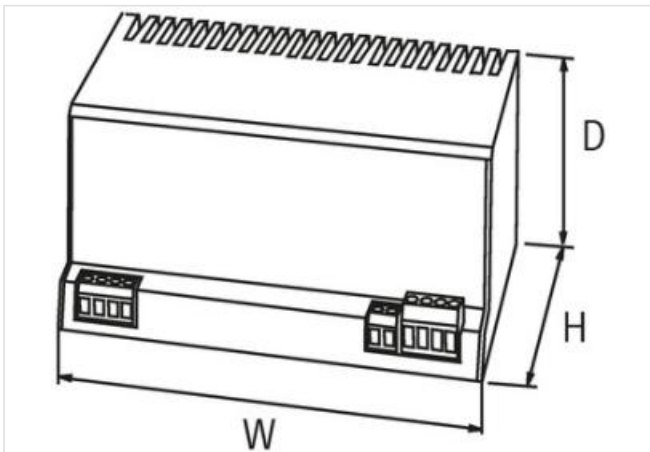
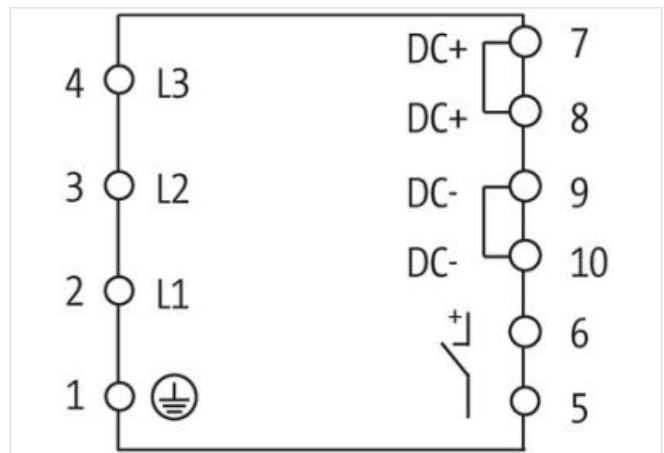
OUTPUT: 22...28 V DC

Current: 40 A

Wide voltage input

Units decoupling through diode block at parallel usage.

can be snapped on rail included

[Link to Product](#)**Illustration**

Product may differ from Image

Commercial data

ECLASS-6.0	27049002
ECLASS-7.0	27049002
ECLASS-8.0	27049002
ECLASS-9.0	27040701
ETIM-5.0	EC002540
customs tariff number	85044083

The information in this Product-PDF has been compiled with the utmost care.

Liability for the correctness completeness and topicality of the information is restricted to gross negligence. Version: 2026-04-23

Murrelektronik Sp. z o.o. | al. Roździeńskiego 188H | 40-203 Katowice | Fon +48 32 730 00 20 | Fax +48 32 730 00 23 | shop@murrelektronik.pl | shop.murrelektronik.pl

customs tariff number	85044083
EAN	4048879080590
EAN	4048879080590
Packaging unit	1
Packaging unit	1

Electrical data

Parallel connection	yes
Series connection	yes
Security level	SELV

Electrical data | Supply

Power frequency	50 ... 60 Hz
-----------------	--------------

Electrical data | Input

Input voltage AC min.	360 V
Input voltage AC max.	550 V
Input current AC (3-phase)	1,7 A
External back-up fuse per phase max.	10 A
Phase number input	3
Efficiency	91 %

Electrical data | Output

Output voltage DC	24 V
Output voltage DC min.	22 V
Output voltage DC max.	28 V
Output voltage adjustable	yes
Output current	40 A
Output current (UL)	48 A
Mains failure bridging min.	3 ms @ 400 V AC
Phase monitoring	Switching off during 2-phase operation
Ripple effective max.	20 mV
Spikes (s-s) max.	100 mV

Device protection | Electrical

Overload protection output	yes
Short-circuit protection output	yes

Mechanical data | Mounting data

Mounting method	geschnappt
Height	193 mm
Width	282 mm
Depth	132 mm

Environmental characteristics | Climatic

Operating temperature min.	0 °C
Operating temperature max.	60 °C
Storage temperature min.	-25 °C
Storage temperature max.	85 °C
Relative humidity min. (operation)	30 %
Relative humidity max. (operation)	90 % no condensation

Connection type 3

Connection	Screw terminals SK
Family construction form	terminal
Gender	female
Color contact carrier	green
No. of poles	2
PIN 1	Signal

PIN 2	Signal +
Connection	Screw terminals SK
Family construction form	terminal
Gender	female
Color contact carrier	green
No. of poles	4
PIN 1	PE
PIN 2	L 1
PIN 3	L 2
PIN 4	L 3
Connection	Screw terminals SK
Family construction form	terminal
Gender	female
Color contact carrier	green
No. of poles	4
PIN 1	+
PIN 2	+
PIN 3	-
PIN 4	-