



MINIZED, fuse switch disconnecter, D01, 2-pole, In: 16 A, Un AC: 400 V without fuse link

Model	
product brand name	SENTRON
product designation	MINIZED fuse switch disconnecter
General technical data	
number of poles	2
size of fuse system according to EN 60269-1	D01
overvoltage category	4
Voltage	
surge voltage resistance rated value	6 kV
Supply voltage	
operating voltage at AC rated value	400 V
Protection class	
protection class IP	IP20, with connected conductors
Dissipation	
power loss [W]	0.2 W
<ul style="list-style-type: none"> for rated value of the current at AC in hot operating state per pole 	
Product details	
product feature sealable	Yes
Connections	
tightening torque with screw-type terminals	2.5 N·m
<ul style="list-style-type: none"> minimum maximum 	
3 N·m	
Mechanical Design	
height	88 mm
width	36 mm
depth	70 mm
mounting position	any, preferably vertical
Net Weight	153 g
Approvals Certificates	
Environment	General Product Approval

[Environmental Con-
firmations](#)

[Environmental Con-
firmations](#)



Further information

Information on the packaging

<https://support.industry.siemens.com/cs/ww/en/view/109813875>

Information for data generation and storage

<https://support.industry.siemens.com/cs/ww/en/view/109995012>

Information- and Downloadcenter (Catalogs, Brochures,...)

<https://www.siemens.com/lowvoltage/catalogs>

Industry Mall (Online ordering system)

<https://mall.industry.siemens.com/mall/en/en/Catalog/product?mlfb=5SG7621-0KK16>

Service&Support (Manuals, Certificates, Characteristics, FAQs,...)

<https://support.industry.siemens.com/cs/ww/en/ps/5SG7621-0KK16>

Image database (product images, 2D dimension drawings, 3D models, device circuit diagrams, ...)

https://www.automation.siemens.com/bilddb/cax_en.aspx?mlfb=5SG7621-0KK16

CAx-Online-Generator

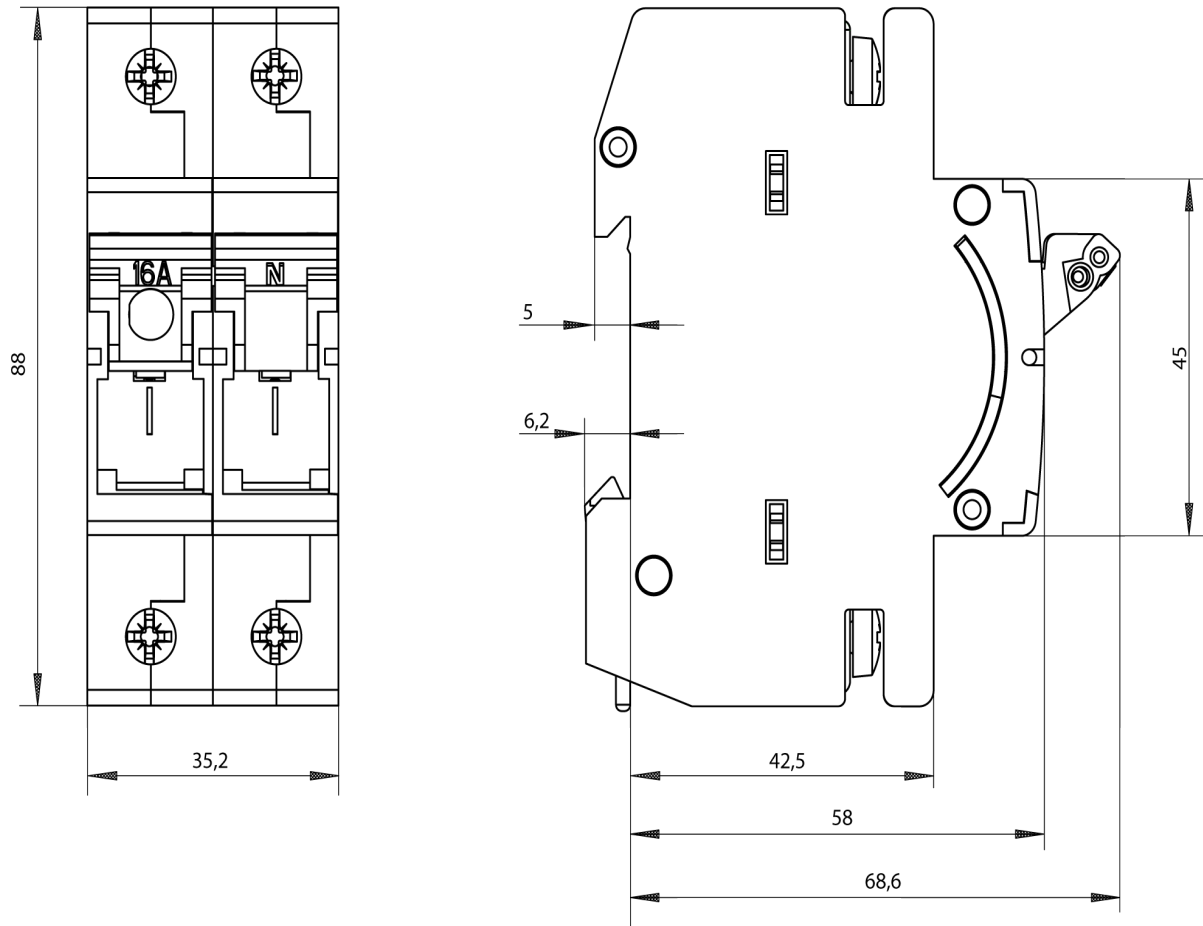
<https://www.siemens.com/cax>

Tender specifications

<https://www.siemens.com/specifications>

Characteristic curves

[https://curves.simaris.siemens.com/curves/<mmp_prod_noCOMP="HAUPT"></mmp_prod_no>](https://curves.simaris.siemens.com/curves/<mmp_prod_noCOMP=)



last modified:

4/6/2026

