

# XUM2AKSBM8T

Photoelectric sensors XU, miniature, thru beam, Sn=15 m, emitter, connector M8



## Main

Range of product	Telemecanique Photoelectric sensors XU
Series name	General purpose single mode
Electronic sensor type	Photo-electric sensor transmitter
Sensor name	XUM
Sensor design	Miniature
Detection system	Thru beam
Material	Plastic
Supply circuit type	DC
Wiring technique	2-wire
Electrical connection	1 male connector M8, 4 pins
Emission	Red thru beam
[Sn] nominal sensing distance	15 m need a receiver

## Complementary

Enclosure material	PBT
Lens material	Modified polyarylate
Status LED	Supply on: 1 LED (orange)
[Us] rated supply voltage	12...24 V DC with reverse polarity protection
Supply voltage limits	10.2...26.4 V DC
Maximum voltage drop	<2 V
Current consumption	12 mA no-load
Maximum delay first up	100 ms
Depth	20 mm
Height	34 mm
Width	11 mm
Net weight	0.01 kg

## Environment

Product certifications	RCM[RETURN]CE[RETURN]UL
Ambient air temperature for operation	-30...55 °C
Ambient air temperature for storage	-40...70 °C
Vibration resistance	+/- 1.5 mm (f = 10...55 Hz)2 hours in each direction X, Y and Z conforming to IEC 60068-2-6
Shock resistance	500 m/s <sup>2</sup> for X, Y, Z directions for 10 cycles (approx. 100 min) conforming to IEC 60068-2-27
IP degree of protection	IP67 conforming to IEC 60529

## Packing Units

Unit Type of Package 1	PCE
Number of Units in Package 1	1
Package 1 Height	2.0 cm
Package 1 Width	1.1 cm
Package 1 Length	3.5 cm
Package 1 Weight	10.0 g
Unit Type of Package 2	S01
Number of Units in Package 2	30

Package 2 Height	15.0 cm
Package 2 Width	15.0 cm
Package 2 Length	40.0 cm
Package 2 Weight	846.0 g

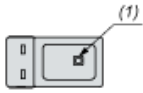
## Offer Sustainability

California proposition 65	WARNING: This product can expose you to chemicals including: Diisononyl phthalate (DINP), which is known to the State of California to cause cancer, and Di-isodecyl phthalate (DIDP), which is known to the State of California to cause birth defects or other reproductive harm. For more information go to <a href="http://www.P65Warnings.ca.gov">www.P65Warnings.ca.gov</a>
For all Reach Rohs enquiries contact us at	<a href="mailto:sustainability@tesensors.com">sustainability@tesensors.com</a>

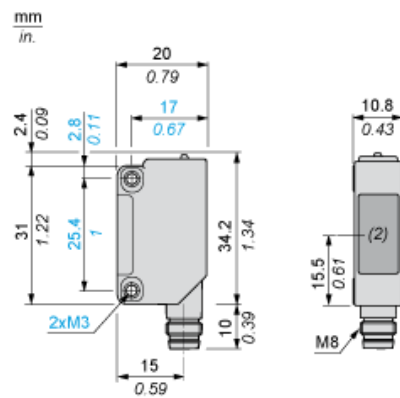
Dimensions

Transmitter. Connector Version

Description



Dimensions



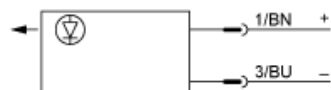
- (1) Power supply indicator (orange)
- (2) Transmission

---

## Connections and Schema

---

### DC Transmitter



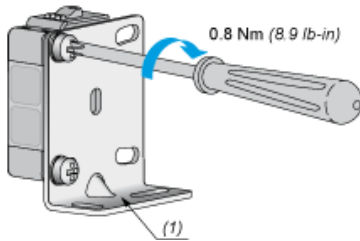
BN : Brown  
BU : Blue

---

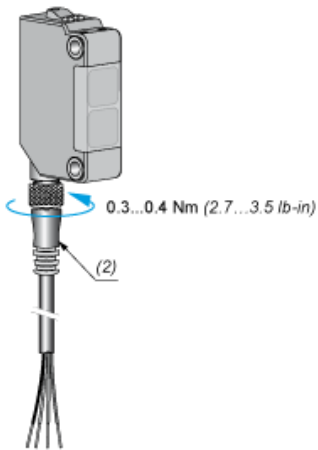
## Mounting and Clearance

---

### Tightening Torques



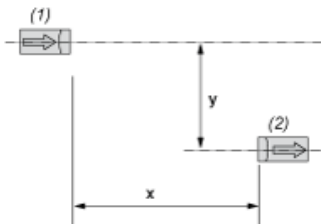
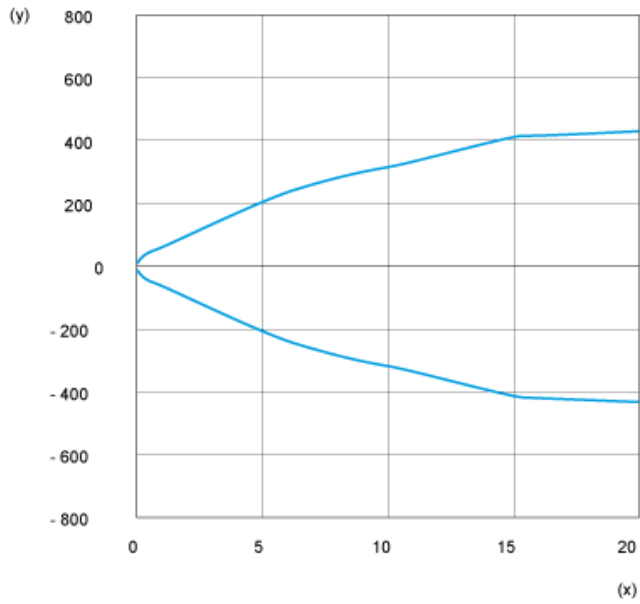
(1) Base mounting fixing bracket



(2) Pre-wired M8 connector

## Performance Curves

### Thru-beam System



- (1) Transmitter
- (2) Receiver
- (y) Parallel movement in mm
- (x) Distance in m