

Siemens
EcoTech



metric cable gland M25 for AS-i shaped cable, for routing the flat cable into the AS-i enclosure, for plastic or metal enclosure with 4-6 command points



product brand name	SIRIUS ACT	
product designation	Metric cable gland	
design of the product	M25 for AS-i profile cable and AS-i enclosures with 4 and 6 command points	
product type designation	3SU1	
General technical data		
protection class IP	IP66, IP67, IP69(IP69K)	
Substance Prohibittance (Date)	10/01/2014	
Net Weight	55 g	
Ambient conditions		
ambient temperature		
• during operation	-25 ... +70 °C	
• during storage and transport	-40 ... +80 °C	
Installation/ mounting/ dimensions		
height	29.7 mm	
width	29.7 mm	
mounting height	31 mm	
installation depth	13 mm	
Accessories		
material of accessory	Plastic	
color of accessory	black	
Approvals Certificates		
Environmental Product Declaration		
• global warming potential [CO2 eq] / during manufacturing	0.566 kg	
• global warming potential [CO2 eq] / during operation	0.235 kg	
• global warming potential [CO2 eq] / after end of life	-0.0145 kg	
• global warming potential [CO2 eq] / total	0.787 kg	
Environment	General Product Approval	Maritime application
Environmental Conformations		
Maritime application	other	



[Confirmation](#)

Further information

Information on the packaging

<https://support.industry.siemens.com/cs/ww/en/view/109813875>

Information for data generation and storage

<https://support.industry.siemens.com/cs/ww/en/view/109995012>

Information- and Downloadcenter (Catalogs, Brochures,...)

<https://www.siemens.com/ic10>

Industry Mall (Online ordering system)

<https://mall.industry.siemens.com/mall/en/en/Catalog/product?mlfb=3SU1900-0HF10-0AA0>

Cax online generator

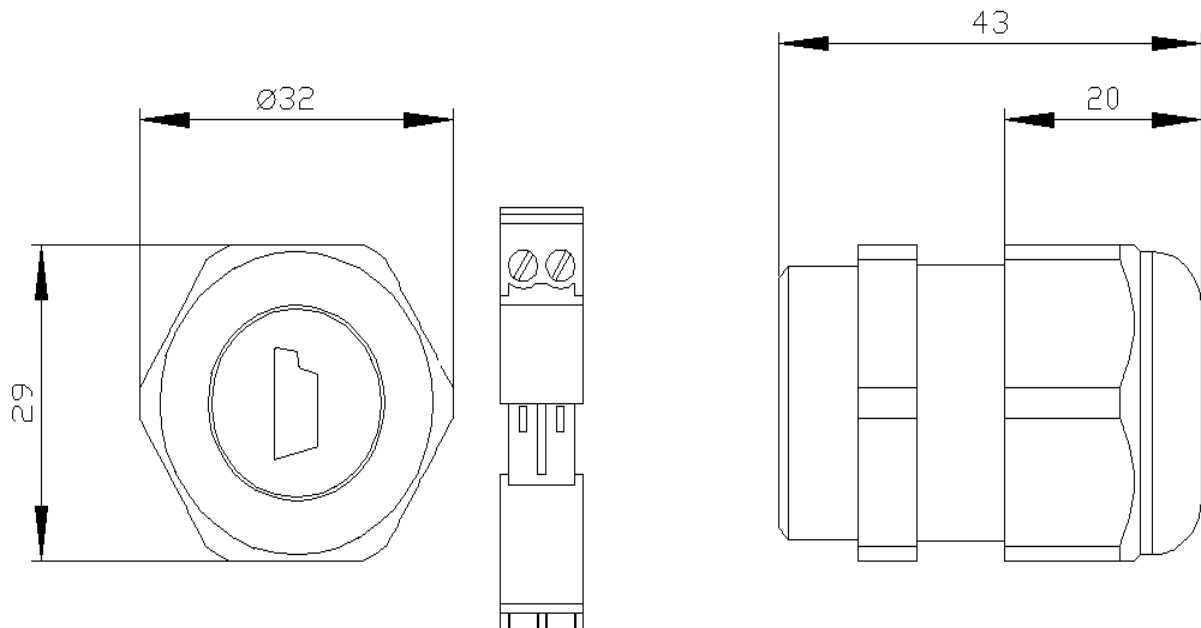
<https://support.automation.siemens.com/WW/CAXorder/default.aspx?lang=en&mlfb=3SU1900-0HF10-0AA0>

Service&Support (Manuals, Certificates, Characteristics, FAQs,...)

<https://support.industry.siemens.com/cs/ww/en/ps/3SU1900-0HF10-0AA0>

Image database (product images, 2D dimension drawings, 3D models, device circuit diagrams, EPLAN macros, ...)

https://www.automation.siemens.com/bilddb/cax_de.aspx?mlfb=3SU1900-0HF10-0AA0&lang=en



last modified:

4/2/2025 