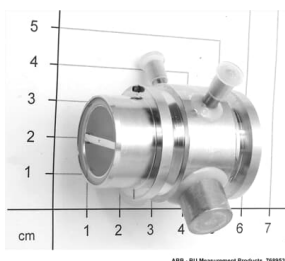




 PRODUCT-DETAILS

768953

Sample cell (Al), 6 mm



General Information

| | |
|-----------------------|------------------------|
| Product ID: | 768953 |
| ABB Type Designation: | - |
| Catalog Description: | Sample cell (Al), 6 mm |
| Display Name: | 768953 |

Additional Information

| | |
|--------------------------|--------------------------|
| ABB Type Designation: | - |
| Consumption Information: | recommended part |
| Core Credit: | 0.00 |
| Country of Origin: | Germany United States |
| Customs Tariff Number: | 90279000 |
| Frame Size: | Spare_Parts |
| Gross Volume: | 151.25 cm ³ |
| Gross Weight: | 0.15 kg |
| Invoice Description: | Sample cell (Al), 6 mm |

| | |
|--|---|
| Made To Order: | No |
| Minimum Order Quantity: | 1 piece |
| Order Multiple: | 1 piece |
| Package Level 1 Depth / Length: | 5 cm |
| Package Level 1 Gross Weight: | 0.15 kg |
| Package Level 1 Height: | 5.5 cm |
| Package Level 1 Units: | 1 piece |
| Package Level 1 Width: | 5.5 cm |
| Part Type: | New |
| Product Name: | - |
| Product Net Depth / Length: | 5 cm |
| Product Net Height: | 5.5 cm |
| Product Net Weight: | 0.08 kg |
| Product Net Width: | 5.5 cm |
| Product Type: | Spare_Parts |
| Qualifications: | Expert |
| Quote Only: | No |
| Recommended Amount: | 0.3 year |
| Replaced Product ID (OLD): | 0768953 20482-4-0856024 |
| Selling Unit of Measure: | piece |
| Stocked At (Warehouses): | Menden, Germany |
| Technical Information: | Fittings, nuts and compression rings (ferrules) must be ordered separately when the internal tubing of the analyzer is Stainless Steel or PTFE. Please check analyzer's serial number (F.No.) and contact ABB Service for further support |
| UNSPSC: | 26101800 |
| WEEE Category: | Product Not in WEEE Scope |

Product specific part data

| Identifier | Category | Measurement Products Part Category |
|------------|------------------|------------------------------------|
| 9AAC176344 | Uras14 | Sample Cell |
| 9AAC176357 | Uras14 | Sample Cell |
| 9AAC176368 | Uras14 | Sample Cell |
| 9AAC176430 | Uras14 | Sample Cell |
| 9AAC176441 | Uras14 | Sample Cell |
| 9AAC176464 | Uras26 | Sample Cell |
| 9AAC176473 | Uras26 | Sample Cell |
| 9AAC176612 | Combi-Module EGA | Sample Cell |
| 9AAC176620 | Uras14 EGA | Sample Cell |
| 9AAC176621 | Uras26 | Sample Cell |

Categories

Parts & Services > Measurement and Analytics > Analytical Measurement > Continuous Gas Analyzers > Advance Optima and EasyLine Series > AO2020 / AO2040 > Uras14

Parts & Services > Measurement and Analytics > Analytical Measurement > Continuous Gas Analyzers > Advance Optima and EasyLine Series > AO2060 > Uras14

Parts & Services > Measurement and Analytics > Analytical Measurement > Continuous Gas Analyzers > Advance Optima and EasyLine Series > EL3020 / EL3040 > Uras26

Parts & Services > Measurement and Analytics > Analytical Measurement > Continuous Gas Analyzers > Advance Optima and EasyLine Series > EL3060 > Uras26

Parts & Services > Measurement and Analytics > Analytical Measurement > Continuous Gas Analyzers > CGA Solutions > ACK > Uras14

Parts & Services > Measurement and Analytics > Analytical Measurement > Continuous Gas Analyzers > CGA Solutions > ACMP > Uras14

Parts & Services > Measurement and Analytics > Analytical Measurement > Continuous Gas Analyzers > CGA Solutions > ACN > Uras14

Parts & Services > Measurement and Analytics > Analytical Measurement > Continuous Gas Analyzers > OEM Analyzers > EGA > Combi-Module EGA

Parts & Services > Measurement and Analytics > Analytical Measurement > Continuous Gas Analyzers > OEM Analyzers > EGA > Uras14 EGA

Parts & Services > Measurement and Analytics > Analytical Measurement > Continuous Gas Analyzers > OEM Analyzers > EL3010-C > Uras26

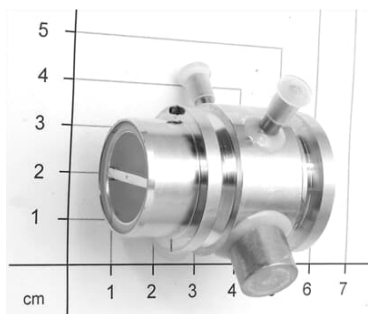


ABB - BU Measurement Products, 768953

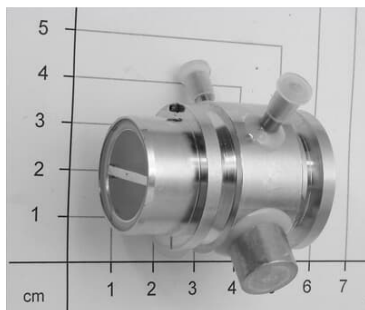


ABB Automation GmbH 768953

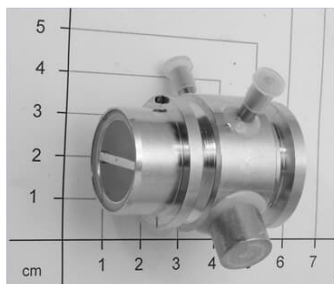
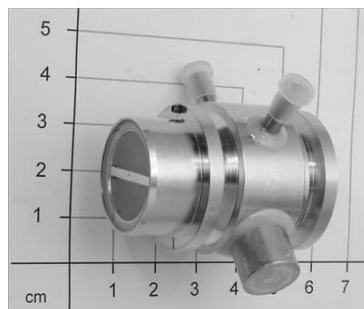


ABB Automation GmbH 0000000000768953

