

**MVP12-P3 AI-RTD4 4xM12A IOLA12 E0**

IO-Link Class A I/O module

Art.No.: 59841

Weight: 0,150 kg

Country of origin: CZ

Model designation: MVP12-P3 AI-RTD4 4xM12A IOLA12 E0

IO-Link hub in 30 mm plastic housing

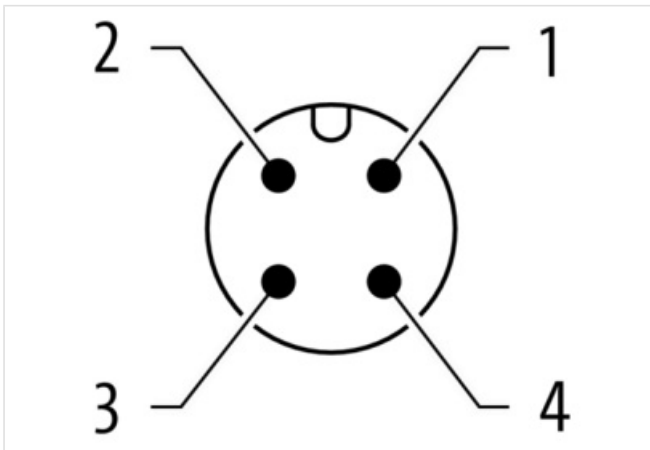
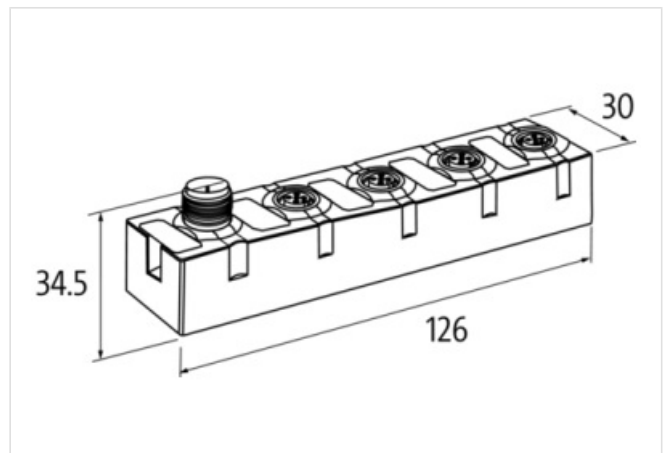
4 analog inputs (RTD)

1 × M12 IO-Link Class A

4 × M12 I/O

Extended parameter range

Connection cables are in the online shop under "Connection Technology".

**Link to Product****Illustration**

Product may differ from Image

**Commercial data**

URL Webshop

<https://shop.murrelektronik.com/59841>

GTIN	4065909027851
Customs tariff number	85389099
ECLASS-7.1	27242604
ECLASS-8.1	27242604
ECLASS-9.1	27242604
ECLASS-10.0.1	27242604
ECLASS-11.0	27242604
ECLASS-13.0	27242604
ECLASS-14.0	27242604
customs tariff number	85389099
EAN	4065909027851
Packaging unit	1

**Electrical data | Supply**

Operating voltage US DC	24 V
Current consumption max.	50 mA

**Electrical data | Input**

Conversion time with interference frequency filter	OFF: 12 ms, 50 Hz: 50 ms, 60 Hz: 120 ms
--	---

**Industrial communication | IO-Link**

type	Device
Port Class	A
revision ID	V1.1.2
transmission rate	COM3 (230.4 kbit/s)
process data length input	10 bytes
process data length output	5 bytes
cycle time min.	1,6 ms
revision compatibility	V1.1.3

**Diagnostics**

Diagnostic via LED	per module and channel
Status indication LED	green
LED display	Ethernet connection/data traffic
IO-Link events	Undervoltage supply, No voltage

**Device protection | Electrical**

Installation height max. ASL	3.000 m
Degree of protection (EN IEC 60529)	IP68
Invers-polarity protection	Yes

**Mechanical data | Mounting data**

Height	126 mm
Width	30 mm
Depth	34,5 mm
Suitable for mounting type	2-hole screw mounting

**Environmental characteristics | Climatic**

Operating temperature min.	-25 °C
Operating temperature max.	70 °C
Ambient temperature (storage, transport)	-40 °C ... 85 °C

**Connection type 2**

Connection type 1	X0-X3
Connection type 2	XZ1
Family construction form	M12
No. of poles	5
Coding	A

Gender	female
Color contact carrier	green
PIN 1	CH +
PIN 2	CH S +
PIN 3	CH -
PIN 4	CH S -
PIN 5	n.c.
Family construction form	M12
No. of poles	5
Coding	A
Gender	male
PIN 1	24 V DC (US) (L +)
PIN 2	n.c.
PIN 3	0 V (US) (L -)
PIN 4	C / Q / IO-Link
PIN 5	n.c.