

Data sheet for SIMOTICS S-1FT2

Article No. : 1FT2206-4AC10-0CB0



Figure similar

Client order no. :
Order no. :
Offer no. :
Remarks :

Item no. :
Consignment no. :
Project :

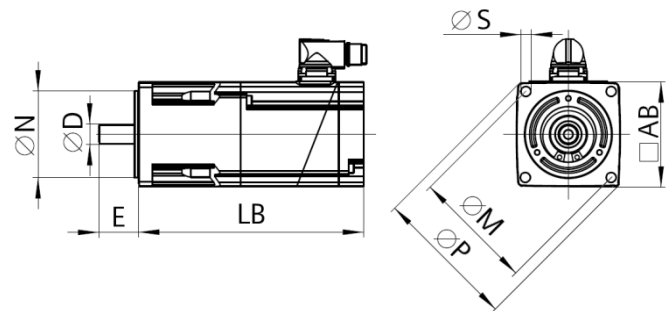
Basic motor data	
Motor type	Permanent-magnet synchronous motor, Natural cooling, IP64
Motor type	Compact
Static torque	12.00 Nm
Static current	4.5 A
Maximum torque	38.00 Nm
Maximum current	17.0 A
Maximum speed	3,300 rpm
Rotor moment of inertia	16.8000 kgcm ²
Weight	10.6 kg

Rated data	
SINAMICS S120, BLM/SLM 3AC 400V	
Rated speed	2,000 rpm
Rated torque	10.50 Nm
Rated current	4.1 A
Rated power	2.20 kW

Encoder system	
Encoder system	Encoder AM26DQC: Absolute encoder 26 bit + 12 bit multiturn

Motor connection	
Connection type	Double cable connection for S120
Connector size power connector	M23
Connector size signal connector	M17

Mechanical data	
Design acc. to Code I	IM B5 (IM V1, IM V3)
Vibration severity grade	Grade A
Shaft height	63
Flange size (AB)	125 mm
Centering ring (N)	110 mm
Hole circle (M)	130 mm
Screw-on hole (S)	9.0 mm
Overall length (LB)	244 mm
Diameter of shaft (D)	24 mm
Length of shaft (E)	50 mm
Length of flange diagonal (P)	158 mm
Shaft end	Plain shaft
Color of the housing	Standard (Anthracite, similar to RAL 7016)



Holding brake	
Holding torque	13.00 Nm
Average dynamic torque	6.50 Nm
Opening time	100 ms
Closing time	50 ms
Maximum single switching energy ¹⁾	1,550 J
Service life, operating energy	774,000 J
Rated current ²⁾	0.7 A

¹⁾Up to three consecutive emergency stops and up to 25% of all emergency stops as a Wmax high energy stop possible.

²⁾Typical value for 20°C ambient temperature. At -15°C the break-induced currents can be increased by up to 30%.