

# Product datasheet

Specifications



## TRANSPARENT DOOR W600 24M PRISMA G IP30

LVS08138

EAN Code: 3606481879134

### Main

Range	PrismaSeT
Range of product	PrismaSeT G
Product or component type	Door
Range compatibility	PrismaSeT PrismaSeT G enclosure
Provided equipment	door handle keylock (key 405) other keylock and insert to be ordered separately 2 hinge
type of door	Transparent
IP degree of protection	IP43 with door, canopy and IP43 gasket IP30 without door IP40 with door IP41 with door and canopy

### Complementary

installation description	Wall-mounted enclosure - width 600 mm Extension enclosure - width 600 mm
Door opening side	Reversible
Number of locks	2
door opening angle	130 °
Number of vertical modules [50 mm]	24
Enclosure material	Handle: polyamide Glass Cover frame: treated sheet steel
Quantity per set	Set of 1
Height	1216.6 mm
Width	600 mm
Depth	36 mm
Product weight	8.2 kg
Material	Glass
Surface finish	Textured Matt
Colour	White (RAL 9003)

### Environment

IK degree of protection	IK08 conforming to EN/IEC 62262
-------------------------	---------------------------------

---

<b>Standards</b>	IEC 61439-1 IEC 61439-2
------------------	----------------------------

---

<b>Protective treatment</b>	Electrophoresis treatment and hot-polymerised polyester epoxy powder
-----------------------------	--

---

## Packing Units

---

<b>Unit Type of Package 1</b>	PCE
-------------------------------	-----

---

<b>Number of Units in Package 1</b>	1
-------------------------------------	---

---

<b>Package 1 Height</b>	7.000 cm
-------------------------	----------

---

<b>Package 1 Width</b>	64.500 cm
------------------------	-----------

---

<b>Package 1 Length</b>	130.000 cm
-------------------------	------------

---

<b>Package 1 Weight</b>	9.709 kg
-------------------------	----------

---

<b>Unit Type of Package 2</b>	PAL
-------------------------------	-----

---

<b>Number of Units in Package 2</b>	20
-------------------------------------	----

---

<b>Package 2 Height</b>	99.000 cm
-------------------------	-----------

---

<b>Package 2 Width</b>	120.000 cm
------------------------	------------

---

<b>Package 2 Length</b>	202.000 cm
-------------------------	------------

---

<b>Package 2 Weight</b>	222.200 kg
-------------------------	------------

---

## Logistical informations

---

<b>Country of origin</b>	FR
--------------------------	----

---

## Contractual warranty

---

<b>Warranty (in months)</b>	18
-----------------------------	----

---



## Environmental Data

Schneider Electric aims to achieve Net Zero status by 2050 through supply chain partnerships, lower impact materials, and circularity via our ongoing “Use Better, Use Longer, Use Again” campaign to extend product lifetimes and recyclability.

[Environmental Data explained >](#)

[How we assess product sustainability >](#)



### Environmental footprint

[Environmental Disclosure](#)

[Product Environmental Profile](#)

## Use Better



### Materials and Substances

Packaging made with recycled cardboard

Yes

Packaging without single use plastic

Yes

SCIP Number

53da272d-b040-4851-8009-84e538bee882

EU RoHS Directive

[Compliant By Exemption](#)

REACH Regulation

[Reference contains Substances of Very High Concern above the threshold](#)

Halogen-free status

Halogen free plastic parts product

PVC free

Yes

Silicone-free

Yes

## Use Longer



### Lifetime extension

Repair

No

## Use Again



### Repack and remanufacture

End of life manual availability

No need of specific recycling operations

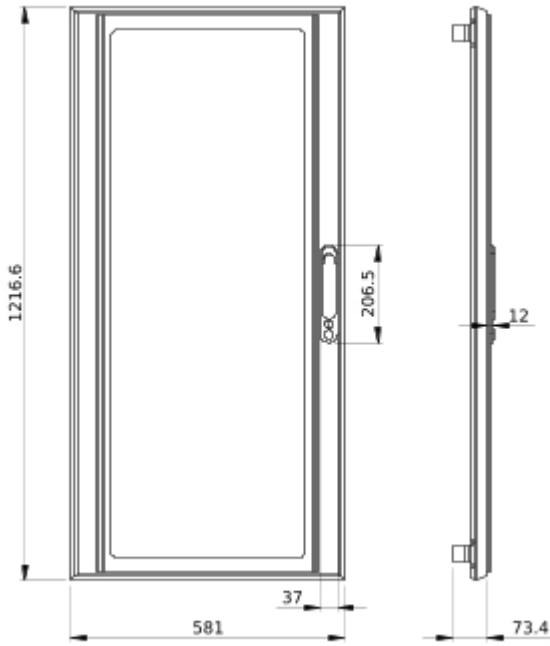
Take-back

No

Technical Illustration

Dimensions

---



- All dimensions are approximate and are in  
- Also see technical documentation.