

Product datasheet

Specifications



PLAIN DUCT DOOR W300 24M PRISMA G IP30

LVS08188

EAN Code: 3606481878175

Main

Range	PrismaSeT
Range of product	PrismaSeT G
Product or component type	Door
Range compatibility	PrismaSeT PrismaSeT G duct
Provided equipment	door handle keylock (key 405) other keylock and insert to be ordered separately 2 hinge
type of door	Plain
IP degree of protection	IP43 with door, canopy and IP43 gasket IP30 without door IP40 with door IP41 with door and canopy

Complementary

installation description	Wall-mounted duct - width 300 mm
Door opening side	Reversible
Number of locks	2
door opening angle	130 °
Number of vertical modules [50 mm]	24
Enclosure material	Handle: polyamide Cover frame: treated sheet steel
Quantity per set	Set of 1
Height	1216.6 mm
Width	300 mm
Depth	33 mm
Product weight	4.4 kg
Surface finish	Textured Matt
Colour	White (RAL 9003)

Environment

IK degree of protection	IK10 conforming to EN/IEC 62262
Standards	IEC 61439-2 IEC 61439-1
Protective treatment	Electrophoresis treatment and hot-polymerised polyester epoxy powder

Packing Units

Unit Type of Package 1	PCE
Number of Units in Package 1	1
Package 1 Height	7.000 cm
Package 1 Width	34.000 cm
Package 1 Length	129.500 cm
Package 1 Weight	6.054 kg
Unit Type of Package 2	PAL
Number of Units in Package 2	30
Package 2 Height	85.000 cm
Package 2 Width	120.000 cm
Package 2 Length	202.000 cm
Package 2 Weight	209.650 kg

Logistical informations

Country of origin	FR
-------------------	----

Contractual warranty

Warranty (in months)	18
----------------------	----



Environmental Data

Schneider Electric aims to achieve Net Zero status by 2050 through supply chain partnerships, lower impact materials, and circularity via our ongoing “Use Better, Use Longer, Use Again” campaign to extend product lifetimes and recyclability.

[Environmental Data explained >](#)

[How we assess product sustainability >](#)



Environmental footprint

[Environmental Disclosure](#)

[Product Environmental Profile](#)

Use Better



Materials and Substances

Packaging made with recycled cardboard

Yes

Packaging without single use plastic

Yes

SCIP Number

5868427b-f1fb-44fa-a499-b68313ef1f4e

EU RoHS Directive

[Compliant By Exemption](#)

REACH Regulation

[Reference contains Substances of Very High Concern above the threshold](#)

Halogen-free status

Halogen free plastic parts product

PVC free

Yes

Silicone-free

Yes

Use Longer



Lifetime extension

Repair

No

Use Again



Repack and remanufacture

End of life manual availability

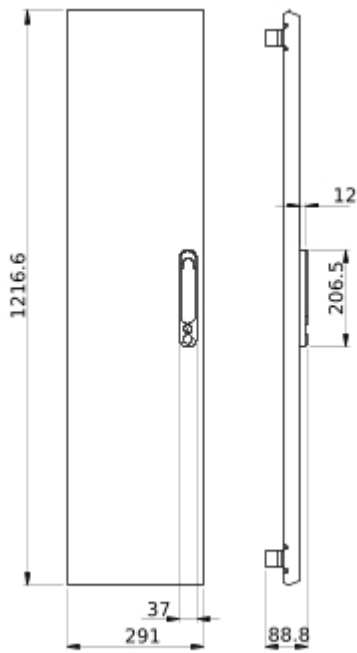
No need of specific recycling operations

Take-back

No

Technical Illustration

Dimensions



- All dimensions are approximate and are in
- Also see technical documentation.