

MET 1-Phase control and isolating transformer

P: 25VA IN: 230-400VAC +/- 15VAC OUT: 115VAC

Art.No.: 86436

Weight: 0,700 kg

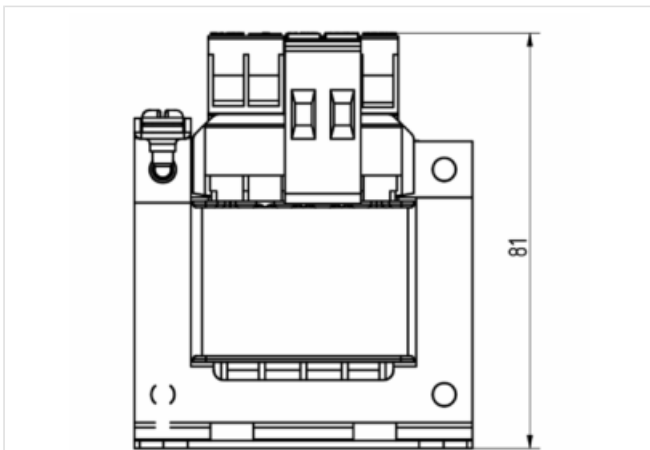
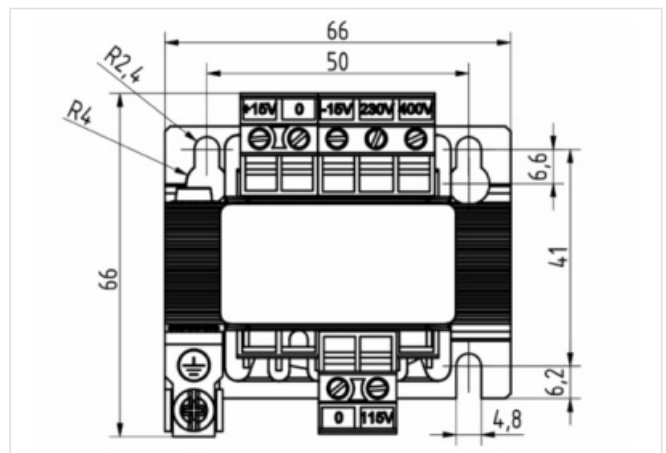
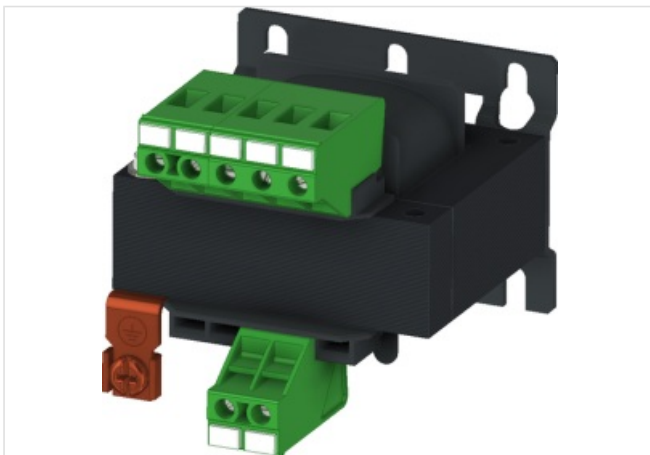
Country of origin: CZ

Model designation: MET 0025-230-400±15V/115 UL

The MET series comprises single-phase control transformers/isolating transformers of the protection class I and protection degree IP00 with double insulation between the primary and secondary windings for general use in industrial applications.

Link to Product

Illustration



Product may differ from Image



Commercial data

URL Webshop	https://shop.murrelektronik.com/86436
GTIN	4065909079232
Customs tariff number	85043180
ECLASS-6.0	27031302

The information in this Product-PDF has been compiled with the utmost care.

Liability for the correctness completeness and topicality of the information is restricted to gross negligence. Version: 2026-05-21

Murrelektronik Sp. z o.o. | al. Roździeńskiego 188H | 40-203 Katowice | Fon +48 32 730 00 20 | Fax +48 32 730 00 23 | shop@murrelektronik.pl | shop.murrelektronik.pl

ECLASS-6.1	27031302
ECLASS-7.0	27031302
ECLASS-7.1	27031302
ECLASS-8.0	27031302
ECLASS-8.1	27031302
ECLASS-9.0	27031302
ECLASS-9.1	27031302
ECLASS-10.0.1	27031302
ECLASS-10.1	27031302
ECLASS-11.0	27031302
ECLASS-11.1	27031302
ECLASS-12.0	27031302
ECLASS-13.0	27031302
ECLASS-14.0	27031302
customs tariff number	85043180
EAN	4065909079232
Packaging unit	1
customs tariff number	85043180
EAN	4065909079232
Packaging unit	1

Electrical data | Supply

Power frequency	50/60 Hz
-----------------	----------

Electrical data | Input

Nominal input voltage AC	230 V ... 400 V
Nominal current AC	0.15 A @ 230 V, 0.09 A @ 400 V
Inrush current at input voltage 1	2 A
Inrush current at input voltage 2	1,2 A
Short-circuit current at input voltage 1	1,1 A
Short-circuit current at input voltage 2	0,6 A

Electrical data | Output

Output voltage AC	115 V
-------------------	-------

Mechanical data | Mounting data

Height	66 mm
Width	66 mm
Depth	81 mm
Mounting method	screwed
Suitable for mounting type	Keyhole mounting
Mounting dimension a	41 mm
Mounting dimension b	50 mm
Mounting dimension c	2,4 mm
Diameter bore	2,4 mm
Length bore	6,6 mm

Environmental characteristics | Climatic

Ambient temperature (operation)	-20 °C ... 50 °C
Ambient temperature (storage, transport)	-30 °C ... 80 °C

Conformity

Product standard	EN IEC 61558-1, EN IEC 61558-2-4, EN IEC 62041
------------------	--