

### M12 male 0° X-cod. / M12 male 0° D-cod. shielded

PUR 1x4xAWG24 shielded gn UL/CSA+drag ch. 1m

Art.No.: 7000-51701-5850100

Weight: 0,100 kg

Country of origin: CZ

Model designation: MSXAL0-DA-\*585\_1.0-ZS

#### Advantages of our connectors:

Our connectors are versatile and specially optimised for industrial environments. All connectors are 100% tested during the manufacturing process to ensure the highest quality and reliability.

The contacts are gold-plated, which ensures optimum conductivity. Thanks to the high degree of protection, the connectors are ideal for demanding industrial environments. They are also vibration-resistant - this is ensured by the union nut with vibration protection.

Our connectors are resistant to oils and cooling lubricants, but resistance to aggressive media should be tested for each specific application. Different cable lengths available [on request](#)

If you are missing technical information? Please feel free to use our [dictionary](#) to find more technical details.

#### Product details:

Ethernet CAT5e

Male straight – male straight

M12 – M12, 4-pole

Shielded

with cable sleeves

maximum length at channel transmission corresponds to 70 m

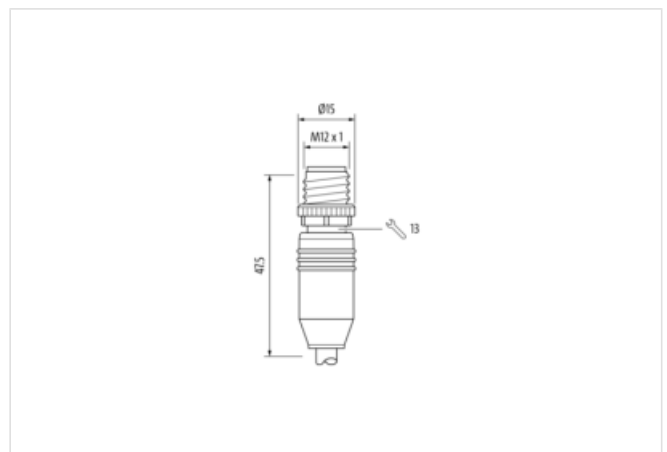
Further cable lengths on request.

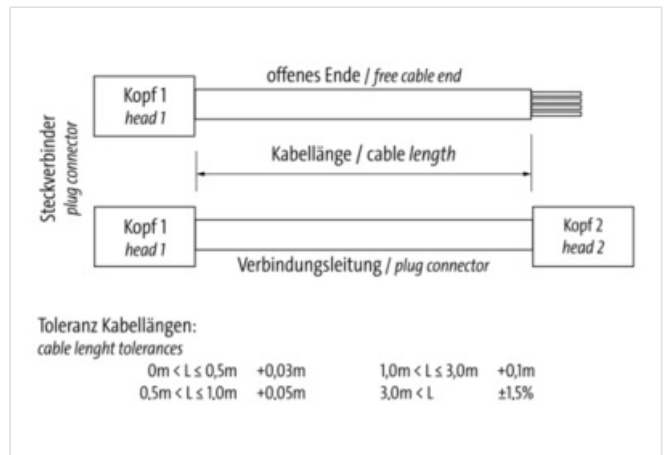
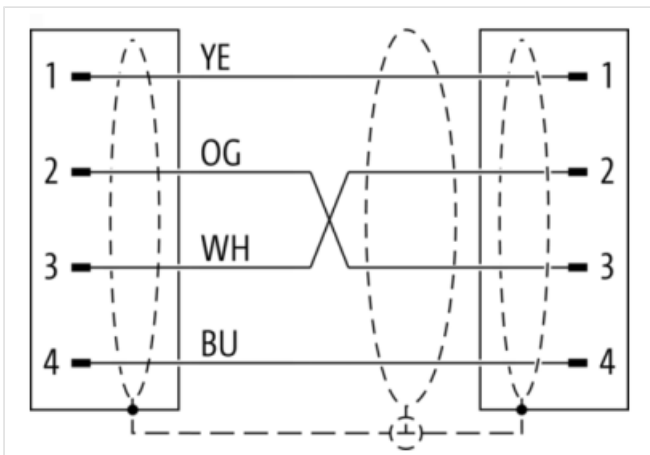
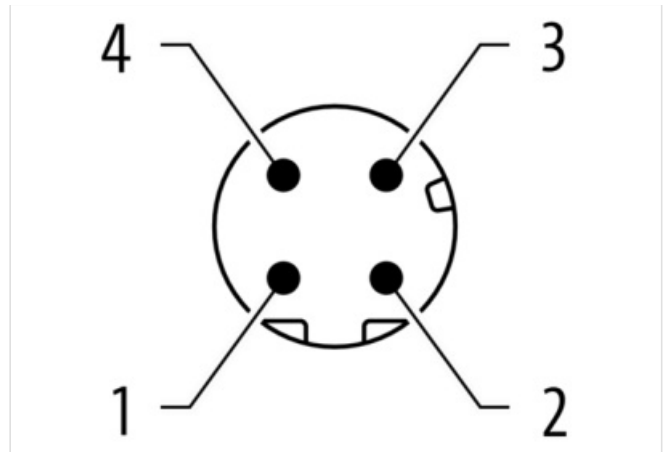
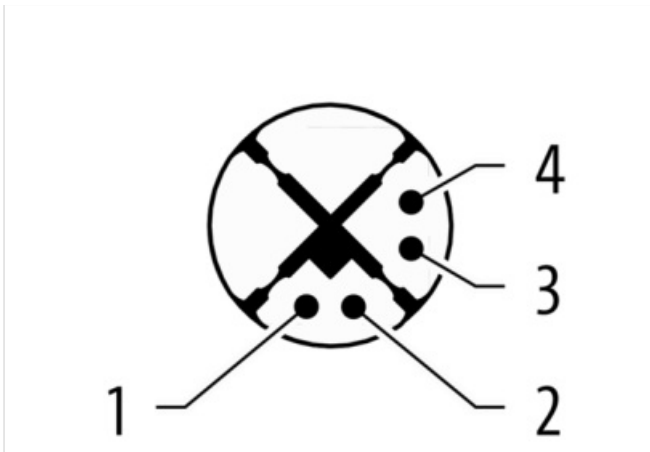
Plastic housings with good resistance against chemicals and oils.

The resistance to aggressive media should be individually tested for your application. Further details on request.

#### [Link to Product](#)

##### Illustration





Product may differ from Image



Cable length 1,00 m

Side 1

Family construction form M12

No. of poles	4
Coding	X
Gender	male
Mounting method	inserted, screwed
Threaded hole	M12 x 1
Tightening torque	0,6 Nm
Width across flats	SW13
Cable outlet	straight
Material	PUR
Material contact	Copper alloy
Coating contact	gold plated
Degree of protection (EN IEC 60529)	IP67, IP66K, IP65

**Side 2**

Family construction form	M12
No. of poles	4
Coding	D
Gender	male
Mounting method	inserted, screwed
Threaded hole	M12 x 1
Tightening torque	0,6 Nm
Width across flats	SW13
Cable outlet	straight
Material	PUR
Material contact	Copper alloy
Coating contact	gold plated
Degree of protection (EN IEC 60529)	IP67, IP66K, IP65

**Commercial data**

URL Webshop	<a href="https://shop.murrelektronik.com/7000-51701-5850100">https://shop.murrelektronik.com/7000-51701-5850100</a>
GTIN	4065909090626
Customs tariff number	85444290
ECLASS-6.0	27279218
ECLASS-6.1	27279218
ECLASS-7.0	27279218
ECLASS-7.1	27279218
ECLASS-8.0	27279218
ECLASS-8.1	27279218
ECLASS-9.0	27060312
ECLASS-10.0.1	27060312
ECLASS-10.1	27060312
ECLASS-11.0	27060312
ECLASS-11.1	27060312
ECLASS-12.0	27060312
ECLASS-13.0	27060312
ECLASS-14.0	27060312
ETIM-5.0	EC002599
ETIM-6.0	EC002599
ETIM-7.0	EC002599
ETIM-8.0	EC002599
customs tariff number	85444290
EAN	4065909090626
Packaging unit	1

**Electrical data | Supply**

Operating voltage DC max.	60 V
---------------------------	------

Current operating per contact max. 0,5 A

#### Industrial Communication

Data transmission rate max. 100 Mbit/s  
Transfer parameters CAT5e, Class D (ISO/IEC 11801)

#### Diagnostics

Status indication LED No

#### Installation | Pin assignment

Configuration partly used

#### Device protection | Electrical

Degree of protection (EN IEC 60529) IP67, IP66K, IP65  
Additional condition protection degree inserted, screwed  
Pollution Degree 3  
Rated surge voltage 1,5 kV  
Material group (IEC 60664-1) I

#### Mechanical data

Contour for corrugated hose without

#### Mechanical data | Material data

Locking material Zinc die-casting  
Coating locking Nickerled

#### Mechanical data | Mounting data

Mounting method inserted, screwed, Shaking protection

#### Environmental characteristics | Climatic

Operating temperature min. -30 °C  
Operating temperature max. 85 °C  
Additional condition temperature range depending on cable quality

#### Important installation notes

Note on bending radius **Attention:** Observe the permissible bending radii when laying cables, as the IP protection class can be endangered by excessive bending forces.  
Note on strain relief Protect the connectors by suitable measures from mechanical loads, e.g. by the usage of cable ties.

#### Conformity

Product standard EN/IEC 61076-2-109 (X-coded), EN IEC 61076-2-101 (D-coded)

#### Installation | Cable

Cable identification 585  
Function cable Data  
Cable weight 62 g/m  
UL AWM Style 20549 / 11602  
Stranding 1 × 4 wires around core filler star-shaped twisted  
Cable shielding (type) copper braid, tinned, Metal foil  
Cable shielding (coverage) 85 %  
Banding Foil  
Filler Yes  
Wire arrangement OG, WH, YE, BU  
Shield shielded  
Material wire insulation PE  
Amount wires 4  
Outer diameter insulation 1.2 mm ± 0.05 mm  
Conductor crosssection (wire) 24 AWG  
Material conductor wire Stranded copper wire, bare  
Core construction (wire) 7  
Ingredient freeness wire insulation lead-free, CFC-free, halogen-free

Material jacket	PUR
Outer-diameter (jacket)	6 mm ± 5 %
Jacket Color	green / RAL 6018
Material inner jacket	TPE-V
Color (inner jacket)	white
Freedom from ingredients (jacket)	lead-free, cadmium-free, CFC-free, halogen-free, silicone-free
Material property (jacket)	abrasion-resistant, low adhesion, good machinability, matte
Cable shielding (type)	copper braid, tinned, Metal foil
Cable shielding (coverage)	85 %
Conductor resistance (wire)	85 Ω/km @ 20 °C
Nominal voltage max.	300 V
Withstand voltage (wire - wire)	2 kV @ 60 s
Withstand voltage (wire - jacket)	2 kV @ 60 s
Withstand voltage (wire - shield)	2 kV @ 60 s
Current load capacity max. (wire)	2,4 A
Current load capacity (standard)	to DIN VDE 0298-4
Electrical capacity line constant (wire - wire)	50 pF/km
Isolation resistance	5 GΩ × km
Characteristic impedance	100 Ω ± 15 %
Cable type	Industrial Ethernet Profinet Typ C, CAT5e
Operating temperature (static)	-40 °C ... 80 °C
Operating temperature (dynamic)	-30 °C ... 70 °C
Flame resistance	IEC 60332-1-2, UL 1581 § 1060, UL 1581 § 1090, UL 1581 § 1100
Oil resistance	IEC 60811-404, IRM 902
Ozone resistance	IEC 60811-403
UV resistance	UL 1581 § 1200 @ 300 h
Other resistances	good resistance to saturated hydrocarbons (diesel, kerosene, petrol ether), resistant to hydrolysis, resistant to microbes, MUD-resistant (NEK 606)
Notes	application-related testing
Bending radius (fixed)	5 × Outer diameter
Bending radius (dynamic)	12 × Outer diameter
No. of bending cycles (C-track)	3.5 Mio. @ 25 °C
Traversing distance (C-track)	5 m @ 25 °C
Travel speed (C-track)	3.3 m/s @ 25 °C
Acceleration (C-track)	2 m/s <sup>2</sup> @ 25 °C