

G-INVEN-M20-M67N-PNES-BK - Cable gland



1424537

<https://www.phoenixcontact.com/gb/products/1424537>

Please be informed that the data shown in this PDF document is generated from our online catalog. Please find the complete data in the user documentation. Our general terms of use for downloads are valid.



Cable gland, material for screw connection: PA, application: Standard, external cable diameter 6 mm ... 11 mm, shielding: no, connecting thread: M20 x 1.5, color: jet black RAL 9005, with pressure compensation element and flat gasket

Product description

Cable gland with integrated pressure compensation element. Prevents low pressure forming in the housing. Membrane: resistant to water and dirt

Your advantages

- Reduces the formation of condensation
- Screw connection with integrated pressure compensation element
- Plastic material conforms to UL 746C f1

Commercial data

Item number	1424537
Packing unit	5 pc
Minimum order quantity	5 pc
Sales key	AF7DCX
Product key	AF7DCX
GTIN	4055626374420
Weight per piece (including packing)	11.97 g
Weight per piece (excluding packing)	11.53 g
Customs tariff number	39269097
Country of origin	TR

G-INVEN-M20-M67N-PNES-BK - Cable gland



1424537

<https://www.phoenixcontact.com/gb/products/1424537>

Technical data

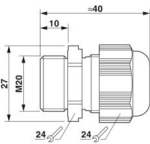
Product properties

Product type	Cable screw gland
Application	Standard
No. of conductors	1
Manufacturer	BIMED
Manufacturer Designation	BMVG-22
Air flow rate	40 (l/h at a pressure differential of 70 mbar)
Shielded	no
Execution of the strain relief	A

Characteristics

Category of shock impact	5
Design, Strain relief	A

Dimensions

Dimensional drawing	
Length	40 mm
Length of the connecting thread	10 mm
Hole diameter	20.1 mm ... 20.2 mm
Wrench size, union nut	24 mm
Wrench size, support	24 mm
Thread type connection side	M20 x 1.5
Thread pitch	1.5 mm

Connection data

Tightening torque	5 Nm \pm 0.2 Nm (Cap nut)
	3 Nm (Support sleeve)

Material specifications

Color	black (RAL 9005)
Material	PTFE (The material specification refers to the ventilation membrane)
Flammability rating according to UL 94	V2
Seal material Flat gasket	NBR
Seal material Cable seal	CR
Material for screw connection	PA

Cable/line

G-INVEN-M20-M67N-PNES-BK - Cable gland



1424537

<https://www.phoenixcontact.com/gb/products/1424537>

External cable diameter Cable 1	6 mm ... 11 mm
External cable diameter	6 mm ... 12 mm (for UL 514 B)
Halogen-free	no

Environmental and real-life conditions

Ambient conditions

Degree of protection	IP67
	IP66
Enclosure rating (NEMA)	1
	4
	4X
	12
	13
Ambient temperature (operation)	-20 °C ... 100 °C (static)

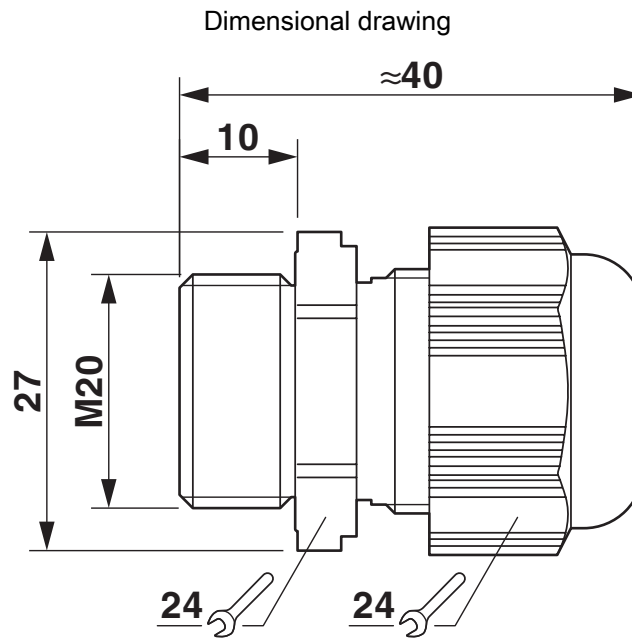
G-INVEN-M20-M67N-PNES-BK - Cable gland

1424537

<https://www.phoenixcontact.com/gb/products/1424537>



Drawings



Dimensional drawing

G-INVEN-M20-M67N-PNES-BK - Cable gland



1424537

<https://www.phoenixcontact.com/gb/products/1424537>

Approvals

🔗 To download certificates, visit the product detail page: <https://www.phoenixcontact.com/gb/products/1424537>

DNV

Approval ID: TAE00003WX



cUL Recognized

Approval ID: E199260



UL Recognized

Approval ID: E199260

G-INVEN-M20-M67N-PNES-BK - Cable gland



1424537

<https://www.phoenixcontact.com/gb/products/1424537>

Classifications

ECLASS

ECLASS-13.0	27140801
ECLASS-15.0	27140801

ETIM

ETIM 10.0	EC000441
-----------	----------

UNSPSC

UNSPSC 21.0	39121300
-------------	----------

G-INVEN-M20-M67N-PNES-BK - Cable gland



1424537

<https://www.phoenixcontact.com/gb/products/1424537>

Environmental product compliance

EU RoHS

Fulfills EU RoHS substance requirements	Yes, No exemptions
---	--------------------

China RoHS

Environment friendly use period (EFUP)	EFUP-E
	No hazardous substances above the limits

EU REACH SVHC

REACH candidate substance (CAS No.)	No substance above 0.1 wt%
-------------------------------------	----------------------------

Phoenix Contact 2026 © - all rights reserved
<https://www.phoenixcontact.com>

PHOENIX CONTACT Ltd
Halesfield 13, Telford
Shropshire, TF7 4PG
01952 681700
info@phoenixcontact.co.uk