

# VAL-MS-T1/T2 335/12.5/1+1-FM - Lightning/surge arrester type 1/2



2800186

<https://www.phoenixcontact.com/gb/products/2800186>

Please be informed that the data shown in this PDF document is generated from our online catalog. Please find the complete data in the user documentation. Our general terms of use for downloads are valid.



Universal varistor-based plug-in lightning/surge arrester for 1-phase power supply networks with separate N and PE (3-conductor system: L1, N, PE), with remote indication contact.

## Your advantages

- Quality proven millions of times over in the widest range of applications
- Rapid installation with bridges, thanks to industry-standard overall width of 1 HP
- Easy testing and insulation measurement, thanks to pluggable protection modules
- Can be used in lightning protection level III and IV due to discharge capacity of 12.5 kA per position
- Vibration-resistant latching ensures the plug remains firmly in place

## Commercial data

Item number	2800186
Packing unit	1 pc
Minimum order quantity	1 pc
Sales key	CL1151
Product key	CL1151
GTIN	4046356518574
Weight per piece (including packing)	356.9 g
Weight per piece (excluding packing)	329.7 g
Customs tariff number	85363030
Country of origin	DE

# VAL-MS-T1/T2 335/12.5/1+1-FM - Lightning/surge arrester type 1/2



2800186

<https://www.phoenixcontact.com/gb/products/2800186>

## Technical data

### Product properties

Product type	Arrester combination
Product family	VALVETRAB MS
IEC test classification	I / II T1 / T2
EN type	T1 / T2
IEC power supply system	TT TN-S
Type	DIN rail module, two-section, divisible
Number of positions	2
Surge protection fault message	Optical, remote indicator contact
Number of ports	One

### Insulation characteristics

Overvoltage category	III
Pollution degree	2

### Electrical properties

Nominal frequency $f_N$	50 Hz (60 Hz)
-------------------------	---------------

### Indicator/remote signaling

Connection name	Remote fault indicator contact
Switching function	Changeover contact
Operating voltage	5 V AC ... 250 V AC 30 V DC
Operating current	5 mA AC ... 1.5 A AC 1 A DC

### Connection data

Connection method	Screw connection
Screw thread	M5
Tightening torque	3 Nm (1.5 mm <sup>2</sup> ... 16 mm <sup>2</sup> ) 4.5 Nm (25 mm <sup>2</sup> ... 35 mm <sup>2</sup> )
Stripping length	16 mm
Conductor cross-section flexible	1.5 mm <sup>2</sup> ... 25 mm <sup>2</sup>
Conductor cross-section rigid	1.5 mm <sup>2</sup> ... 35 mm <sup>2</sup>
Conductor cross-section AWG	15 ... 2
Connection method	Fork-type cable lug
Conductor cross-section flexible	1.5 mm <sup>2</sup> ... 16 mm <sup>2</sup>

### Remote fault indicator contact

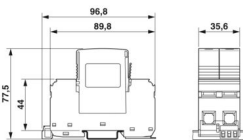
# VAL-MS-T1/T2 335/12.5/1+1-FM - Lightning/surge arrester type 1/2

2800186

<https://www.phoenixcontact.com/gb/products/2800186>

Connection method	Plug-in/screw connection via COMBICON
Screw thread	M2
Tightening torque	0.25 Nm
Stripping length	7 mm
Conductor cross-section flexible	0.14 mm <sup>2</sup> ... 1.5 mm <sup>2</sup>
Conductor cross-section rigid	0.14 mm <sup>2</sup> ... 1.5 mm <sup>2</sup>
Conductor cross-section AWG	28 ... 16

## Dimensions

Dimensional drawing	
Width	35.6 mm
Height	96.8 mm
Depth	77.5 mm (incl. DIN rail 7.5 mm)
Horizontal pitch	2 Div.

## Material specifications

Color	black (RAL 9005)
Flammability rating according to UL 94	V-0
CTI value of material	600
Insulating material	PA 6.6/PBT
Material group	I
Housing material	PA 6.6 PBT

## Mechanical properties

### Mechanical data

Open side panel	No
-----------------	----

## Protective circuit

Mode of protection	L-N
	L-PE
	N-PE
Direction of action	1L-N & N-PE
Nominal voltage $U_N$	240 V AC (TN-S)
	240 V AC (TT)
Nominal frequency $f_N$	50 Hz (60 Hz)
Maximum continuous operating voltage $U_C$ (L-N)	335 V AC
Maximum continuous operating voltage $U_C$ (L-PE)	335 V AC

# VAL-MS-T1/T2 335/12.5/1+1-FM - Lightning/surge arrester type 1/2



2800186

<https://www.phoenixcontact.com/gb/products/2800186>

Maximum continuous operating voltage $U_C$ (N-PE)	264 V AC
Rated load current $I_L$	80 A
Protective conductor current $I_{PE}$	$\leq 5 \mu\text{A}$
Standby power consumption $P_C$	$\leq 270 \text{ mVA}$
Nominal discharge current $I_n$ (8/20) $\mu\text{s}$ (L-N)	12.5 kA
Nominal discharge current $I_n$ (8/20) $\mu\text{s}$ (L-PE)	12.5 kA
Nominal discharge current $I_n$ (8/20) $\mu\text{s}$ (N-PE)	50 kA
Maximum discharge current $I_{\text{max}}$ (8/20) $\mu\text{s}$	50 kA
Impulse discharge current (10/350) $\mu\text{s}$ (L-N), charge	6.25 As
Impulse discharge current (10/350) $\mu\text{s}$ (L-N), specific energy	39 kJ/ $\Omega$
Impulse discharge current (10/350) $\mu\text{s}$ (L-N), peak current value $I_{\text{imp}}$	12.5 kA
Impulse discharge current (10/350) $\mu\text{s}$ (L-PE), charge	6.25 As
Impulse discharge current (10/350) $\mu\text{s}$ (L-PE), specific energy	39 kJ/ $\Omega$
Impulse discharge current (10/350) $\mu\text{s}$ (L-PE), peak current value $I_{\text{imp}}$	12.5 kA
Impulse discharge current (10/350) $\mu\text{s}$ (N-PE), charge	25 As
Impulse discharge current (10/350) $\mu\text{s}$ (N-PE), specific energy	625 kJ/ $\Omega$
Impulse discharge current (10/350) $\mu\text{s}$ (N-PE), peak current value $I_{\text{imp}}$	50 kA
Total discharge current $I_{\text{Total}}$ (8/20) $\mu\text{s}$	50 kA
Total discharge current $I_{\text{Total}}$ (10/350) $\mu\text{s}$	25 kA
Follow current interrupt rating $I_{fi}$ (N-PE)	100 A
Short-circuit current rating $I_{\text{SCCR}}$	25 kA
Voltage protection level $U_p$ (L-N)	$\leq 1.2 \text{ kV}$ $\leq 1.6 \text{ kV}$ (30 kA - 8/20 $\mu\text{s}$ )
Voltage protection level $U_p$ (L-PE)	$\leq 2 \text{ kV}$
Voltage protection level $U_p$ (N-PE)	$\leq 1.7 \text{ kV}$
Residual voltage $U_{\text{res}}$ (L-N)	$\leq 1.2 \text{ kV}$ (at $I_n$ ) $\leq 1.1 \text{ kV}$ (at 10 kA) $\leq 1 \text{ kV}$ (at 5 kA) $\leq 0.9 \text{ kV}$ (at 3 kA)
Residual voltage $U_{\text{res}}$ (L-PE)	$\leq 2 \text{ kV}$ (at $I_n$ ) $\leq 1.5 \text{ kV}$ (at 10 kA) $\leq 1.2 \text{ kV}$ (at 5 kA) $\leq 1.1 \text{ kV}$ (at 3 kA)
Residual voltage $U_{\text{res}}$ (N-PE)	$\leq 0.6 \text{ kV}$ (at $I_n$ ) $\leq 0.5 \text{ kV}$ (at 10 kA) $\leq 0.5 \text{ kV}$ (at 5 kA) $\leq 0.4 \text{ kV}$ (at 3 kA)
TOV behavior at $U_T$ (L-N)	415 V AC (5 s / withstand mode) 457 V AC (120 min / safe failure mode)
TOV behavior at $U_T$ (N-PE)	1200 V AC (200 ms / withstand mode)

# VAL-MS-T1/T2 335/12.5/1+1-FM - Lightning/surge arrester type 1/2



2800186

<https://www.phoenixcontact.com/gb/products/2800186>

Response time $t_A$ (L-N)	≤ 25 ns
Response time $t_A$ (L-PE)	≤ 100 ns
Response time $t_A$ (N-PE)	≤ 100 ns
Max. backup fuse with V-type through wiring	80 A (gG - 16 mm <sup>2</sup> )
Max. backup fuse with branch wiring	160 A (gG)

## Additional technical data

Maximum discharge current $I_{max}$ (8/20) $\mu$ s	65 kA
--	-------

## Environmental and real-life conditions

### Ambient conditions

Degree of protection	IP20 (only when all terminal points are used)
Ambient temperature (operation)	-40 °C ... 80 °C
Ambient temperature (storage/transport)	-40 °C ... 80 °C
Altitude	≤ 2000 m (amsl)
Permissible humidity (operation)	5 % ... 95 %
Shock (operation)	30g (Half-sine / 11 ms / 3x $\pm$ X, $\pm$ Y, $\pm$ Z)
Vibration (operation)	7.5g (10 ... 500 Hz / 2.5 h / X, Y, Z)

## Approvals

### UL specifications

Maximum continuous operating voltage MCOV (L-N)	335 V AC
Maximum continuous operating voltage MCOV (L-G)	335 V AC
Maximum continuous operating voltage MCOV (N-G)	264 V AC
Nominal discharge current $I_n$ (L-N)	20 kA
Nominal discharge current $I_n$ (L-G)	20 kA
Nominal discharge current $I_n$ (N-G)	20 kA
Mode of protection	L-N L-G N-G
Nominal voltage	240 V AC
Power distribution system	Single phase
Nominal frequency	50/60 Hz
Measured limiting voltage MLV (L-N)	2630 V
Measured limiting voltage MLV (L-G)	3600 V
Measured limiting voltage MLV (N-G)	2600 V
SPD Type	4CA

### UL indicator/remote signaling

Operating voltage	125 V AC
AC operating current	1 A AC

### UL connection data

# VAL-MS-T1/T2 335/12.5/1+1-FM - Lightning/surge arrester type 1/2



2800186

<https://www.phoenixcontact.com/gb/products/2800186>

Tightening torque	30 lb <sub>F</sub> in.
Conductor cross-section AWG	14 ... 2

## Standards and regulations

Standards/specifications	IEC 61643-11
Note	2011

### EN 61643-11

Standards/specifications	EN 61643-11
Note	2012

## Mounting

Mounting type	DIN rail: 35 mm
---------------	-----------------

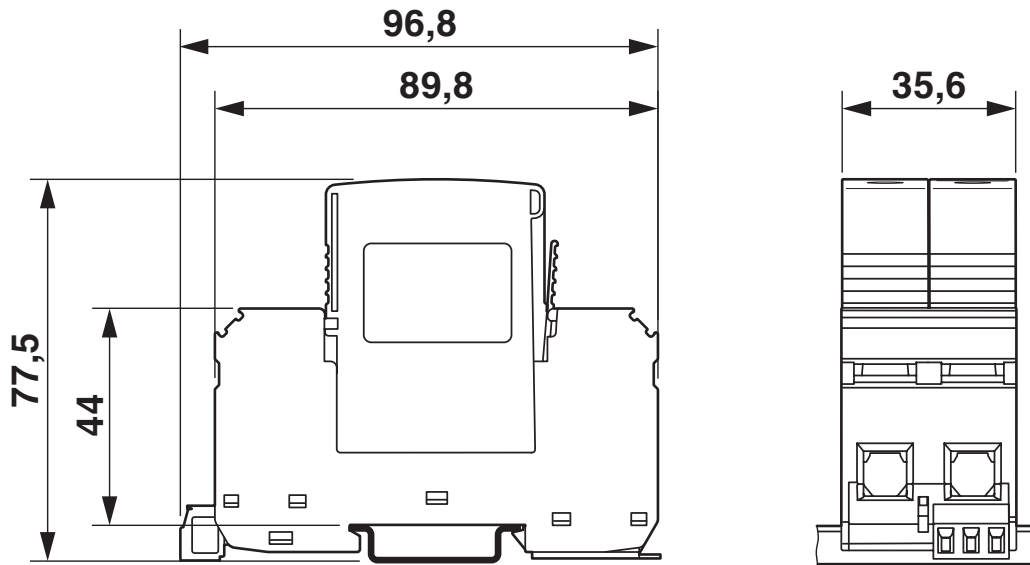
# VAL-MS-T1/T2 335/12.5/1+1-FM - Lightning/surge arrester type 1/2

2800186

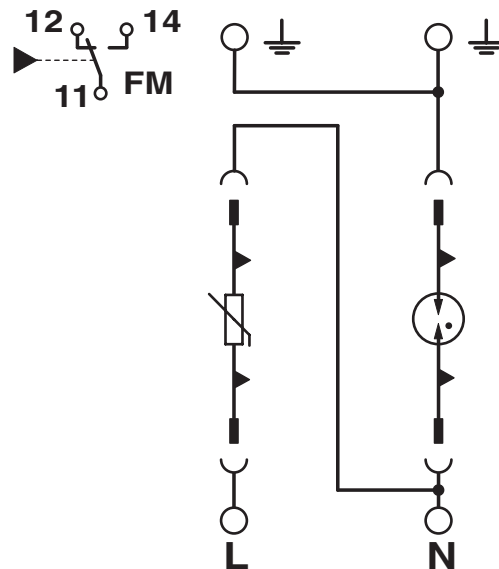
<https://www.phoenixcontact.com/gb/products/2800186>

## Drawings

Dimensional drawing



Circuit diagram



# VAL-MS-T1/T2 335/12.5/1+1-FM - Lightning/surge arrester type 1/2



2800186

<https://www.phoenixcontact.com/gb/products/2800186>

## Approvals

To download certificates, visit the product detail page: <https://www.phoenixcontact.com/gb/products/2800186>



**cUL Recognized**  
Approval ID: FILE E 330181



**UL Recognized**  
Approval ID: FILE E 330181



**IECEE CB Scheme**  
Approval ID: AT 2584

**CCA**

Approval ID: NTR-AT 1906



**KEMA-KEUR**  
Approval ID: 2162496-01



**DNV GL**  
Approval ID: TAE00001N9



**ÖVE**  
Approval ID: 18583-009-09

**UAE-RoHS**

Approval ID: 23-10-88705

# VAL-MS-T1/T2 335/12.5/1+1-FM - Lightning/surge arrester type 1/2



2800186

<https://www.phoenixcontact.com/gb/products/2800186>

## Classifications

### ECLASS

ECLASS-13.0	27171201
ECLASS-15.0	27171201

### ETIM

ETIM 10.0	EC000381
-----------	----------

### UNSPSC

UNSPSC 21.0	39121600
-------------	----------

# VAL-MS-T1/T2 335/12.5/1+1-FM - Lightning/surge arrester type 1/2



2800186

<https://www.phoenixcontact.com/gb/products/2800186>

## Environmental product compliance

### EU RoHS

Fulfills EU RoHS substance requirements	Yes, No exemptions
---	--------------------

### China RoHS

Environment friendly use period (EFUP)	EFUP-E
	No hazardous substances above the limits

### EU REACH SVHC

REACH candidate substance (CAS No.)	No substance above 0.1 wt%
-------------------------------------	----------------------------

### EF3.1 Climate Change

CO2e kg	7.443 kg CO2e
---------	---------------

Phoenix Contact 2026 © - all rights reserved  
<https://www.phoenixcontact.com>

PHOENIX CONTACT Ltd  
Halesfield 13, Telford  
Shropshire, TF7 4PG  
01952 681700  
[info@phoenixcontact.co.uk](mailto:info@phoenixcontact.co.uk)