

# AXL SE DO4/2 2A EF - Digital module



1181790

<https://www.phoenixcontact.com/gb/products/1181790>

Please be informed that the data shown in this PDF document is generated from our online catalog. Please find the complete data in the user documentation. Our general terms of use for downloads are valid.



Axioline Smart Elements, Digital output module, Digital outputs: 4, 24 V DC, 2 A, connection technology: 2-conductor, degree of protection: IP20

## Product description

You can integrate Axioline Smart Elements into systems with the Smart Element interface. This Smart Element emits digital signals.

## Your advantages

- 4 digital outputs
- 24 V DC, 2 A
- Connection of actuators in 2-conductor technology
- Substitute value behavior of the outputs can be parameterized for the Smart Element
- Feed-in of the I/O supply on the Smart Element
- Single-channel diagnostics
- Mapping of the channel status in the input process data
- Device rating plate stored

## Commercial data

Item number	1181790
Packing unit	1 pc
Minimum order quantity	1 pc
Sales key	DRIB32
Product key	DRIB32
GTIN	4063151359430
Weight per piece (including packing)	38.1 g
Weight per piece (excluding packing)	38.2 g
Customs tariff number	85389091
Country of origin	DE

# AXL SE DO4/2 2A EF - Digital module



1181790

<https://www.phoenixcontact.com/gb/products/1181790>

## Technical data

### Dimensions

Dimensional drawing	
Width	14.9 mm
Height	62.2 mm
Depth	62 mm

### Notes

Note on application

Note on application	Only for industrial use
---------------------	-------------------------

### Material specifications

Color (Housing)	gray (RAL 7042)
-----------------	-----------------

### Interfaces

Smart Element interface

Number of interfaces	1
Connection method	Card edge connector
Transmission speed	See system in which you use the Smart Element.
Start time until ready to operate	< 500 ms

### System properties

Programming data (LocalbusSlave)

Process data channel	8 bit
Input address area	1 Byte
Output address area	1 Byte

Fieldbus data telegram

Required parameter data	3 Byte
Required configuration data	7 Byte

### Output data

Digital:

Output name	Digital outputs
Connection method	Push-in connection

1181790

<https://www.phoenixcontact.com/gb/products/1181790>

Connection technology	2-conductor
Number of outputs	4
Protective circuit	Short-circuit and overload protection; electronic
Output voltage	24 V DC
Max. current carrying capacity per output	max. 2 A (Observe the derating.)
Maximum output current per module	max. 8 A (provide external fuse protection; observe the derating.)
Nominal output voltage	24 V DC
Load min.	10 k $\Omega$
Output voltage when switched off	max. 1 V
Output current when switched off	max. 300 $\mu$ A
Nominal load, inductive	48 VA (1.2 H, 12 $\Omega$ , at 24 V DC)
Nominal load, lamp	24 W (at 24 V DC)
Nominal load, ohmic	48 W (12 $\Omega$ , in the supply voltage range)
Switching frequency	max. 1200 per second (With resistive load, at least 50 mA load current)
	max. 1 per second (with inductive load)
	max. 4 per second (with nominal lamp load)
Behavior with overload	Shutdown with automatic restart
Behavior with inductive overload	Output can be destroyed
Signal delay	max. 100 $\mu$ s (when switched on)
	max. 100 $\mu$ s (when switched off, with at least 50 mA load current)
Overcurrent shut-down	min. 2.8 A
Output current with ground connection interrupt when switched off	< 1 mA

## Product properties

Product type	I/O component
Product family	Axiline Smart Elements
Type	modular
Mounting position	See the system in which the Smart Element is used.

## Insulation characteristics

Overvoltage category	II (IEC 60664-1, EN 60664-1)
Pollution degree	2 (IEC 60664-1, EN 60664-1)

## Electrical properties

Maximum power dissipation for nominal condition	2.05 W
---	--------

## Potentials: I/O supply (U<sub>O</sub>)

Supply voltage	24 V DC
Supply voltage range	19.2 V DC ... 30 V DC (including all tolerances, including ripple)
Current draw	max. 8 A (provide external protection)
Current consumption	min. 12 mA (without actuators)
Protective circuit	Surge protection; electronic (35 V, 0.5 s)
	Reverse polarity protection; parallel diode
Protection	max. 8 A (polarity reversal protection up to 5 A)

# AXL SE DO4/2 2A EF - Digital module



1181790

<https://www.phoenixcontact.com/gb/products/1181790>

Potentials: Communications power supply of the Smart Elements ( $U_{SE}$ )

Supply voltage	using card edge connectors
----------------	----------------------------

Electrical isolation/isolation of the voltage ranges

Test voltage: Communications power supply / 24 V supply $U_O$ (I/O)	500 V AC, 50 Hz, 1 min
Test voltage: Communications power supply / 24 V supply $U_P$	500 V AC, 50 Hz, 1 min
Test voltage: Communications supply / functional ground	500 V AC, 50 Hz, 1 min
Test voltage: 24 V supply $U_O$ (I/O) / 24 V supply $U_P$	500 V AC, 50 Hz, 1 min
Test voltage: 24 V supply $U_O$ (I/O) / functional ground	500 V AC, 50 Hz, 1 min
Test voltage: 24 V supply $U_P$ / functional ground	500 V AC, 50 Hz, 1 min

## Connection data

Connection technology

Connection name	I/O
Note on the connection method	Please observe the information provided on conductor cross-sections in the "Axoline Smart Elements" user manual.

I/O

Connection method	Push-in connection
Note on the connection method	Please observe the information provided on conductor cross-sections in the "Axoline Smart Elements" user manual.
Conductor cross-section, rigid	0.25 mm <sup>2</sup> ... 1.5 mm <sup>2</sup>
Conductor cross-section, flexible	0.25 mm <sup>2</sup> ... 1.5 mm <sup>2</sup>
Conductor cross-section AWG	24 ... 16
Conductor cross-section, flexible, with ferrule, with plastic sleeve	0.25 mm <sup>2</sup> ... 1.5 mm <sup>2</sup>
Conductor cross-section, flexible, with ferrule, without plastic sleeve	0.25 mm <sup>2</sup> ... 1.5 mm <sup>2</sup> 0.25 mm <sup>2</sup> ... 1.5 mm <sup>2</sup>
Conductor cross-section, flexible, with ferrule, with plastic sleeve	0.25 mm <sup>2</sup> ... 1.5 mm <sup>2</sup>
Stripping length	8 mm

## Environmental and real-life conditions

Ambient conditions

Ambient temperature (operation)	-25 °C ... 60 °C
Degree of protection	IP20
Air pressure (operation)	70 kPa ... 106 kPa (up to 3000 m above sea level)
Air pressure (storage/transport)	70 kPa ... 106 kPa (up to 3000 m above sea level)
Ambient temperature (storage/transport)	-40 °C ... 85 °C
Permissible humidity (operation)	5 % ... 95 % (non-condensing)
Permissible humidity (storage/transport)	5 % ... 95 % (non-condensing)

Mechanical test

Vibration resistance in accordance with EN 60068-2-6/IEC 60068-2-6	5g
Shock in accordance with EN 60068-2-27/IEC 60068-2-27	30g

# AXL SE DO4/2 2A EF - Digital module



1181790

<https://www.phoenixcontact.com/gb/products/1181790>

Continuous shock in accordance with EN 60068-2-27/IEC 60068-2-27	10g
--	-----

## Standards and regulations

Protection class	III (IEC 61140, EN 61140, VDE 0140-1)
------------------	---------------------------------------

## Mounting

Mounting type	Plug-in mounting (Smart Element slot)
Mounting position	See the system in which the Smart Element is used.

# AXL SE DO4/2 2A EF - Digital module

1181790

<https://www.phoenixcontact.com/gb/products/1181790>



## Drawings

Dimensional drawing



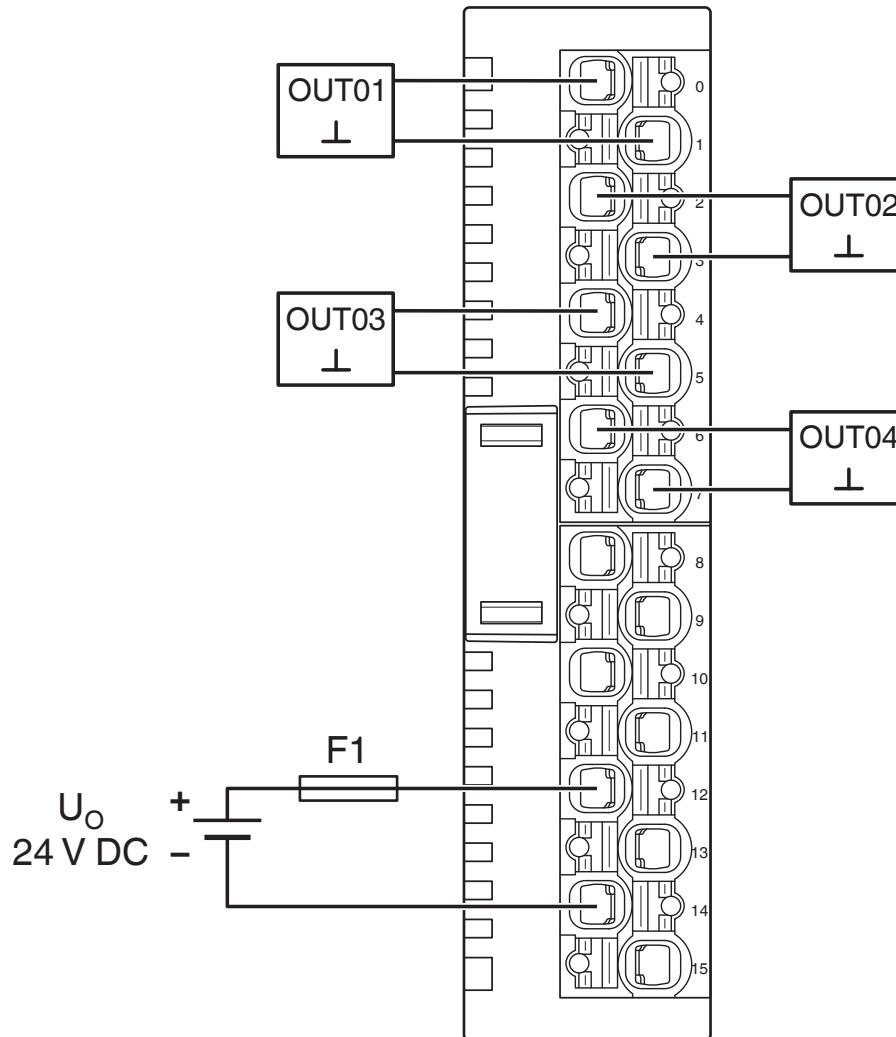
Dimensions (in mm)

# AXL SE DO4/2 2A EF - Digital module

1181790

<https://www.phoenixcontact.com/gb/products/1181790>

Connection diagram



Connection in 2-conductor technology

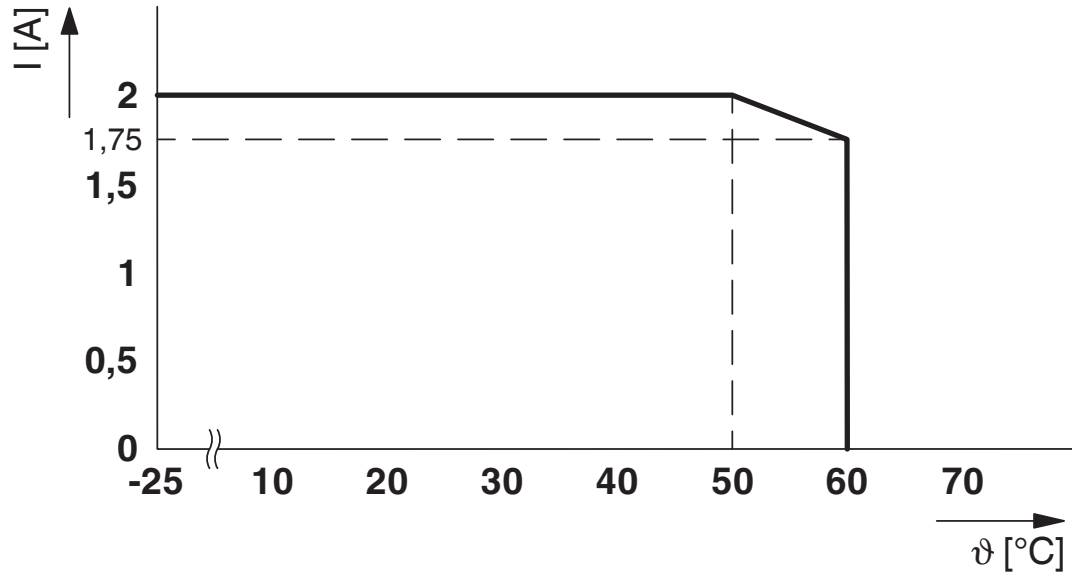
# AXL SE DO4/2 2A EF - Digital module

1181790

<https://www.phoenixcontact.com/gb/products/1181790>

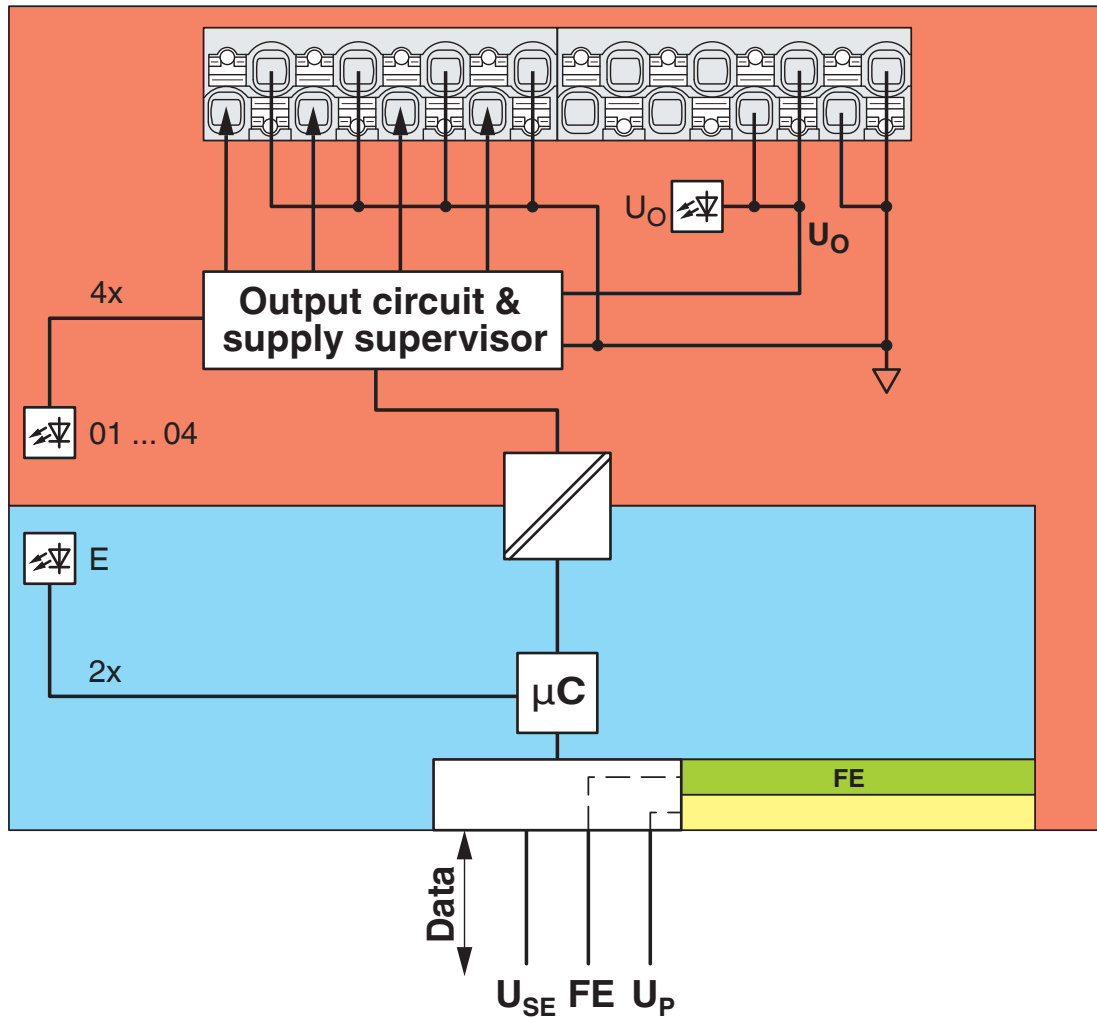


Diagram



Derating at 100 % simultaneity

Block diagram



Internal wiring of the terminal points

# AXL SE DO4/2 2A EF - Digital module



1181790

<https://www.phoenixcontact.com/gb/products/1181790>

## Approvals

To download certificates, visit the product detail page: <https://www.phoenixcontact.com/gb/products/1181790>



**cULus Listed**

Approval ID: E238705

# AXL SE DO4/2 2A EF - Digital module



1181790

<https://www.phoenixcontact.com/gb/products/1181790>

## Classifications

### ECLASS

ECLASS-13.0	27242604
ECLASS-15.0	27242604

### ETIM

ETIM 10.0	EC001599
-----------	----------

### UNSPSC

UNSPSC 21.0	32151600
-------------	----------

1181790

<https://www.phoenixcontact.com/gb/products/1181790>

## Environmental product compliance

### EU RoHS

Fulfills EU RoHS substance requirements	Yes
Exemption	7(a), 7(c)-I

### China RoHS

Environment friendly use period (EFUP)	EFUP-50
	An article-related China RoHS declaration table can be found in the download area for the respective article under "Manufacturer declaration". For all articles with EFUP-E, no China RoHS declaration table issued and required.

### EU REACH SVHC

REACH candidate substance (CAS No.)	Lead(CAS: 7439-92-1)
SCIP	4108ee54-b82c-43ac-8372-2a6c8e6c42ee

### EF3.1 Climate Change

CO2e kg	4.062 kg CO2e
---------	---------------

Phoenix Contact 2026 © - all rights reserved  
<https://www.phoenixcontact.com>

PHOENIX CONTACT Ltd  
 Halesfield 13, Telford  
 Shropshire, TF7 4PG  
 01952 681700  
[info@phoenixcontact.co.uk](mailto:info@phoenixcontact.co.uk)