

SIRIUS cable-operated switch, Bowden cable and cable failure function Metal enclosure, 2x M25x1.5; 1 NO+1 NC, latching EN ISO 13850 and pushbutton release, with LED lamp 24 V DC, red, for wire lengths up to 50 m



product brand name	SIRIUS
product designation	cable-operated switch
product type designation	3SE7
General technical data	
product function EMERGENCY STOP function	No
product component light source	Yes
insulation voltage rated value	400 V
degree of pollution	class 3
surge voltage resistance rated value	6 kV
protection class IP	IP65
mechanical service life (operating cycles) typical	100 000
thermal current	6 A
reference code according to IEC 81346-2	S
continuous current of the DIAZED fuse link gG	6 A
Substance Prohibitance (Date)	07/01/2006
SVHC substance name	Lead CAS-No. 7439-92-1
Net Weight	0.813 g
Ambient conditions	
ambient temperature during operation	-25 ... +70 °C
number of NC contacts for auxiliary contacts	1
number of NO contacts for auxiliary contacts	1
operational current at AC-15	
• at 240 V rated value	6 A
• at 400 V rated value	6 A
Enclosure	
material of the enclosure	metal
material of the enclosure cover	Plastic
product component EMERGENCY STOP device	No
color	
• of the enclosure	black
• of the enclosure top part	grey
coating of the enclosure	painted
Display	
product function status display	No
circuit principle	Jump function
material of the contact	Silver
number of switching contacts safety-related	1
cable entry type	2x M25 x 1,5
Installation/ mounting/ dimensions	

fastening method	screw fixing
height	105 mm
width	167 mm
depth	89 mm

Connections/ Terminals

type of electrical connection	screw terminal
type of connectable conductor cross-sections	
<ul style="list-style-type: none"> • solid • finely stranded with core end processing • for AWG cables solid • for AWG cables stranded 	2x (0.5 ... 2.5 mm ²) 2x (0.5 ... 2.5 mm ²) 2x (20 ... 14) 2x (20 ... 14)

Supply voltage

type of voltage of the supply voltage of the light source	DC
supply voltage 1 of the light source at DC rated value	24 V
supply voltage at DC rated value	24 V
relative negative tolerance of the supply voltage	-15 %
relative positive tolerance of the supply voltage	10 %

Approvals Certificates

General Product Approval	other
--------------------------	-------



[Confirmation](#)

[Confirmation](#)

other	Environment
-------	-------------



[Environmental Confirmations](#)

Further information

Information on the packaging

<https://support.industry.siemens.com/cs/ww/en/view/109813875>

Information for data generation and storage

<https://support.industry.siemens.com/cs/ww/en/view/109995012>

Information- and Downloadcenter (Catalogs, Brochures,...)

<https://www.siemens.com/ic10>

Industry Mall (Online ordering system)

<https://mall.industry.siemens.com/mall/en/en/Catalog/product?mlfb=3SE7140-1BD04-1AS6>

Cax online generator

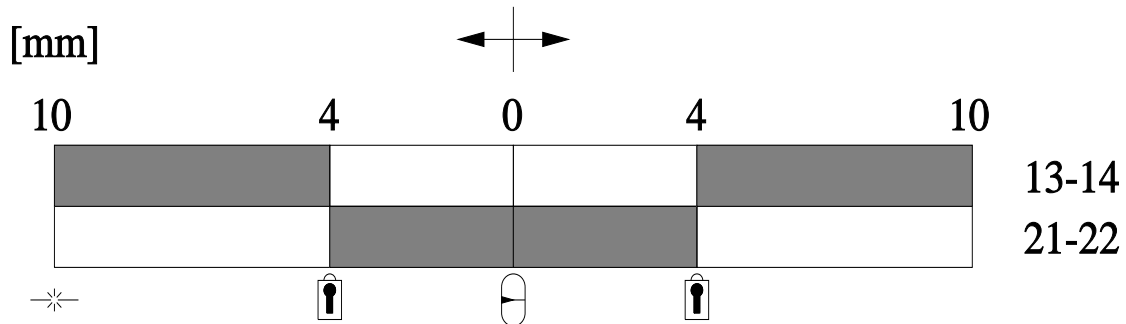
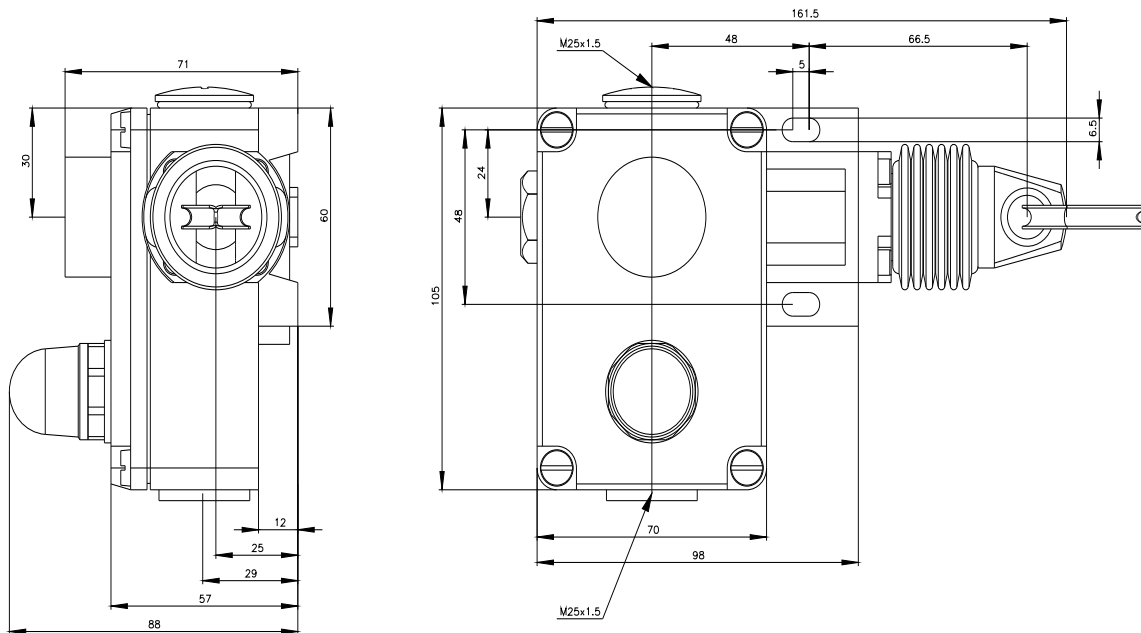
<https://support.automation.siemens.com/WW/CAXorder/default.aspx?lang=en&mlfb=3SE7140-1BD04-1AS6>

Service&Support (Manuals, Certificates, Characteristics, FAQs,...)

<https://support.industry.siemens.com/cs/ww/en/ps/3SE7140-1BD04-1AS6>


Image database (product images, 2D dimension drawings, 3D models, device circuit diagrams, EPLAN macros, ...)

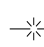
https://www.automation.siemens.com/bilddb/cax_de.aspx?mlfb=3SE7140-1BD04-1AS6&lang=en



 Verriegelung / Locking

 Betätigungsrichtung / Travel

 Mittelstellung / Middle position

 Seilriss / Rope rip

 Schaltglied geschlossen / Contact element closed

 Schaltglied geöffnet / Contact element open

