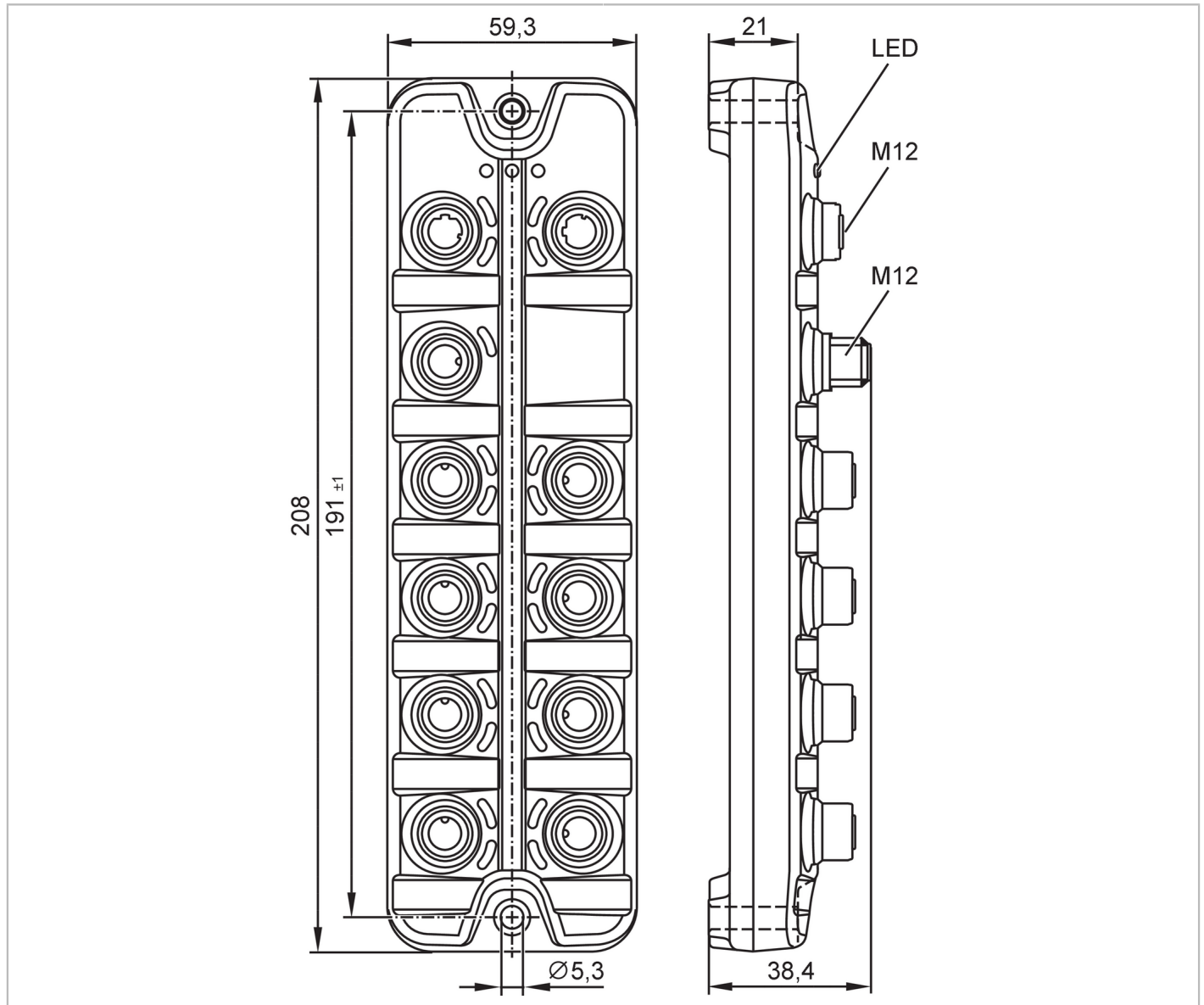


AL4003



Ethernet module with PROFINET interface

ETH Module SL PN 16DI IP69K



Application	
Application	hygienic systems; I/O modules for field applications
Loop-through function	fieldbus interface
Electrical data	
Operating voltage [V]	20...28 DC; (US ; to SELV/PELV)
Current consumption [mA]	200...3900; (cULus: 200 ... 3500; US)
Protection class	III
Max. current load total [A]	3.6
Overall current rating (UL) [A]	3.2
Inputs / outputs	
Number of inputs and outputs	Number of digital inputs: 16

AL4003



Ethernet module with PROFINET interface

ETH Module SL PN 16DI IP69K

Inputs	
Number of digital inputs	16; (type 2 according to IEC 61131-2)
Switching level high [V]	11...30
Switching level low [V]	0...5
Digital inputs protected against short circuits	yes

Software / programming		
Parameter setting options	counter function	
Functions and parameters	function	CTU (Up Counter), CTD (Down Counter), CTUD (Up-Down Counter), CTDIR (Direction Counter)
	number	8 (1 counter for each port)
	count frequency	4500 Hz
	main counter	32 Bit (0...4.294.967.295)
	batch counter	16 Bit (0...65.535)

Interfaces	
Communication interface	Ethernet
Ethernet - PROFINET	
Transmission standard	100Base-TX
Transmission rate	100 MBit/s
Protocol	PROFINET
Factory settings	IP address: 0.0.0.0
	subnet mask: 0.0.0.0
	gateway IP address: 0.0.0.0
	MAC address: see type label
Note on interfaces	CC-C (Conformance Class C) (IRT-Switch)
	S2 redundancy
	Netload Class III
	CiR (Configuration in Run)
	SNMP (Simple Network Management Protocol)
	MRP (Media Redundancy Protocol)
	supported network topologies: line
	ring

Operating conditions		
Ambient temperature [°C]	-25...60	
Storage temperature [°C]	-25...85	
Max. relative air humidity [%]	90	
Protection	IP 65; IP 66; IP 67; IP 69K; (operation with stainless steel protective caps: IP 69K)	
Protection rating (NEMA 250)	6P	
Pollution degree	2	
Chemical media	ISO 16750-5	HLP, CC, DB, DC, DD, CA
	NEMA 250 5.13.1	AA

Tests / approvals	
EMC	EN 61000-6-2
	EN 61000-6-4
Shock resistance	DIN EN 60068-2-27

AL4003



Ethernet module with PROFINET interface

ETH Module SL PN 16DI IP69K

Vibration resistance	DIN EN 60068-2-64 2009-04	
	DIN EN 60068-2-6 2008-10	
MTTF [years]		67

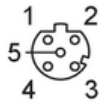
Mechanical data		
Weight [g]		420.6
Housing		rectangular
Type of mounting		backplane mounting
Dimensions [mm]		208 x 59.3 x 38.4
Materials		housing: PA grey; socket: stainless steel (316L/1.4404)
Sealing material		EPDM

Accessories	
Items supplied	Protective cap: 1 x M12, stainless steel, E12542

Remarks	
Remarks	For further information please see the operating instructions.
Pack quantity	1 pcs.

Electrical connection - Ethernet

Connector: M12; coding: D; Contacts: 4; Sealing: EPDM

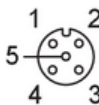


IN / OUT X21, X22

1	TX +
2	RX +
3	TX -
4	RX -
5	not used

Electrical connection - inputs / outputs

Connector: M12; coding: A; Contacts: 4; Sealing: EPDM

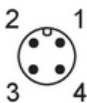


Digital Input X01...X08

1	Sensor supply (US) L+
2	digital input 2
3	Sensor supply (US) L-
4	digital input 1
5	functional earth

Electrical connection - voltage supply

Connector: M12; coding: A; Contacts: 4



AL4003



Ethernet module with PROFINET interface

ETH Module SL PN 16DI IP69K

X31

1	+ 24 V DC (US)
2	not used
3	GND (US)
4	not used