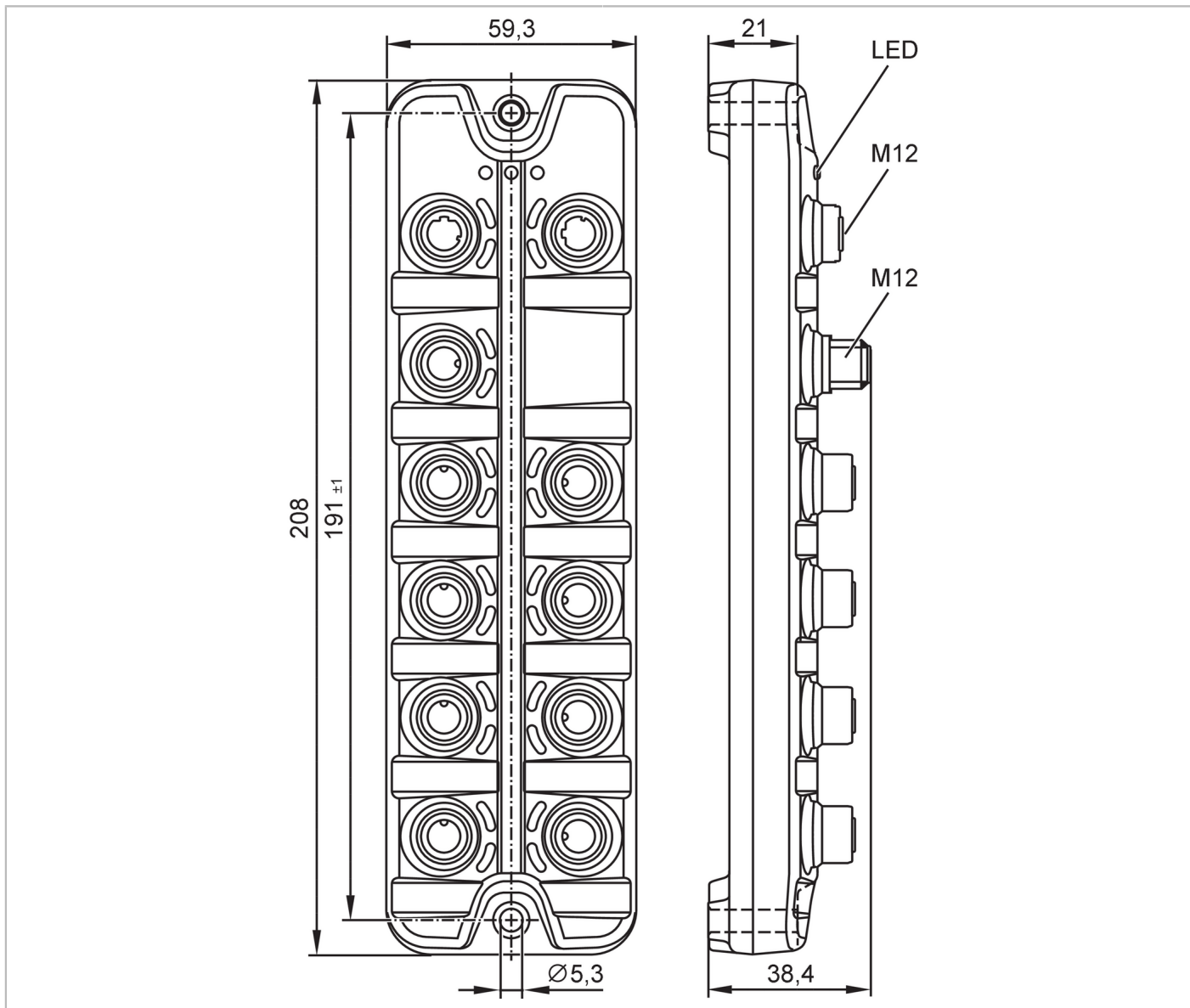


AL4203



Ethernet module with PROFINET interface

ETH Module SL PN 8DO 8DI IP69K



Application	
Application	hygienic systems; I/O modules for field applications
Loop-through function	fieldbus interface
Electrical data	
Operating voltage [V]	20...28 DC; (US ; to SELV/PELV)
Current consumption [mA]	300...3900
Protection class	III
Additional voltage supply [V]	20...28 DC; (UA)
Actuator supply UA	
Max. current load total [A]	4
Current rating per port [A]	3.6

AL4203



Ethernet module with PROFINET interface

ETH Module SL PN 8DO 8DI IP69K

Sensor supply US		
Max. current load total	[A]	3.6
Current rating per port	[A]	3.6
Inputs / outputs		
Number of inputs and outputs	Number of digital inputs: 8; Number of digital outputs: 8	
Inputs		
Number of digital inputs	8; (type 2 according to IEC 61131-2)	
Switching level high	[V]	11...30
Switching level low	[V]	0...5
Digital inputs protected against short circuits	yes	
Outputs		
Number of digital outputs	8	
Short-circuit proof	yes	
Actuator supply UA		
Max. current load per output	[mA]	3600
Software / programming		
Parameter setting options	counter function	
Functions and parameters	function	CTU (Up Counter), CTD (Down Counter), CTUD (Up-Down Counter), CTDIR (Direction Counter)
	switching function (SSC)	single point, two point, window, latch
	number	4 (1 counter for each input port)
	count frequency	4500 Hz
	main counter	32 Bit (0...4.294.967.295)
	batch counter	16 Bit (0...65.535)
Interfaces		
Communication interface	Ethernet	
Ethernet - PROFINET		
Transmission standard	100Base-TX	
Transmission rate	100 MBit/s	
Protocol	PROFINET	
Factory settings	IP address: 0.0.0.0	
	subnet mask: 0.0.0.0	
	gateway IP address: 0.0.0.0	
	MAC address: see type label	
Note on interfaces	CC-C (Conformance Class C) (IRT-Switch)	
	S2 redundancy	
	Netload Class III	
	CiR (Configuration in Run)	
	SNMP (Simple Network Management Protocol)	
	MRP (Media Redundancy Protocol)	
	supported network topologies: line	
	ring	
Operating conditions		
Ambient temperature	[°C]	-25...60

AL4203



Ethernet module with PROFINET interface

ETH Module SL PN 8DO 8DI IP69K

Storage temperature	[°C]	-25...85
Max. relative air humidity	[%]	90
Protection		IP 65; IP 66; IP 67; IP 69K; (operation with stainless steel protective caps: IP 69K)
Protection rating (NEMA 250)		6P
Pollution degree		2
Chemical media	ISO 16750-5 NEMA 250 5.13.1	HLP, CC, DB, DC, DD, CA AA

Tests / approvals

EMC		EN 61000-6-2 EN 61000-6-4
Shock resistance		DIN EN 60068-2-27
Vibration resistance		DIN EN 60068-2-64 2009-04 DIN EN 60068-2-6 2008-10
MTTF	[years]	70

Mechanical data

Weight	[g]	424.9
Housing		rectangular
Type of mounting		backplane mounting
Dimensions	[mm]	208 x 59.3 x 38.4
Materials		housing: PA grey; socket: stainless steel (316L/1.4404)
Sealing material		EPDM

Accessories

Items supplied		Protective cap: 1 x M12, stainless steel, E12542
----------------	--	--

Remarks

Remarks		For further information please see the operating instructions.
Pack quantity		1 pcs.

Electrical connection - Ethernet

Connector: M12; coding: D; Contacts: 4; Sealing: EPDM

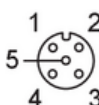


IN / OUT XF1, XF2

1:	TX +
2:	RX +
3:	TX -
4:	RX -
5:	n.c.

Electrical connection - inputs / outputs

Connector: M12; coding: A; Contacts: 5; Sealing: EPDM



AL4203



Ethernet module with PROFINET interface

ETH Module SL PN 8DO 8DI IP69K

Digital Output X1...X4

1:	n.c.
2:	OUT2 DO2 (UA)
3:	L - (UA)
4:	OUT1 DO1 (UA)
5:	FE

Digital Input X5...X8

1:	L + (US)
2:	IN2 DI2
3:	L - (US)
4:	IN1 DI1
5:	FE

Electrical connection - voltage supply IN

Connector: M12; coding: A; Contacts: 4



XD1

1:	L + (US)
2:	L - (UA)
3:	L - (US)
4:	L + (UA)