

# TRIO3-CAP/1AC/24DC/20/12KJ/USB-485 - DC UPS with integrated power supply and capacity



1467815

<https://www.phoenixcontact.com/gb/products/1467815>

Please be informed that the data shown in this PDF document is generated from our online catalog. Please find the complete data in the user documentation. Our general terms of use for downloads are valid.



TRIO DC UPS with integrated power supply and capacitor, with maintenance-free energy storage based on double-layer capacitor, USI (Universal Service Interface), DIN rail mounting, input: 230 V AC, input: 1-phase, output: 24 V DC / 20 A / 12 kJ incl. mounted UTA 107 universal DIN rail adapter

## Product description

The TRIO3 capacity module combines the power supply, electronic switch-over unit, and energy storage in the same housing. The capacity module stores the energy required to bridge mains failures in maintenance-free double-layer capacitors. Several minutes of mains buffering is possible depending on the required load current. The USB-C (USI) or RS-485 interfaces make it convenient to shut down your PC.

## Commercial data

Item number	1467815
Packing unit	1 pc
Minimum order quantity	1 pc
Sales key	CMUDC3
Product key	CMUDC3
GTIN	4063151864668
Weight per piece (including packing)	3,305 g
Weight per piece (excluding packing)	2,787 g
Country of origin	Information on the country of origin is provided with the delivery.

# TRIO3-CAP/1AC/24DC/20/12KJ/USB-485 - DC UPS with integrated power supply and capacity



1467815

<https://www.phoenixcontact.com/gb/products/1467815>

## Technical data

### Input data

#### AC operation

Input voltage	230 V AC
Input voltage range	100 V AC ... 240 V AC -15 % ... +10 % ( $T_{amb} < 50\text{ °C}$ )
	115 V AC ... 240 V AC $\pm 10\%$ ( $T_{amb} < 50\text{ °C}$ / UL)
	145 V AC ... 240 V AC $\pm 10\%$ ( $T_{amb} < 60\text{ °C}$ )
	145 V AC ... 240 V AC $\pm 10\%$ ( $T_{amb} < 60\text{ °C}$ / UL)
Frequency range ( $f_N$ )	50 Hz ... 60 Hz $\pm 10\%$
Derating	< 100 V AC (1 %/V)
	< 140 V DC (1 %/V)
Current consumption	typ. 5.5 A (100 V AC)
	typ. 2.4 A (240 V AC)
Current consumption $I_N$ ( $U_N, I_{OUT} = I_N, I_{charge} = 0$ )	4.35 A (120 V AC)
	2.3 A (230 V AC)
Current consumption $I_{max}$ ( $U_N, I_{OUT} = I_{Stat.Boost}, I_{charge} = max$ )	5.25 A (120 V AC)
	2.75 A (230 V AC)
Current consumption $I_{No-Load}$ ( $U_N, I_{OUT} = 0, I_{charge} = 0$ )	0.11 A (120 V AC)
	0.08 A (230 V AC)
Current consumption $I_{charge}$ ( $U_N, I_{OUT} = 0, I_{charge} = max$ )	1.2 A (120 V AC)
	0.69 A (230 V AC)
Power consumption $P_{max}$ ( $U_N, I_{OUT} = I_{Stat.Boost}, I_{charge} = max$ )	595 W (120 V AC)
	598 W (230 V AC)
Power consumption $P_N$ ( $U_N, I_{OUT} = I_N, I_{charge} = 0$ )	522 W (120 V AC)
	516 W (230 V AC)
Power consumption $P_{charge}$ ( $U_N, I_{OUT} = 0, I_{charge} = max$ )	136 W (120 V AC)
	136 W (230 V AC)
Buffer time	25 s (20 A)
Charging time	approx. (For completely discharged capacitors)
Recharging time	approx. 3 min
ON duration	$\leq 5\text{ min}$ ( $120\% \times P_N$ )
	$\geq 2\text{ h}$ ( $100\% \times P_N$ )
Switch-on time	$\leq 1\text{ ms}$
Recommended breaker for input protection	10 A ... 20 A (Characteristic B, C, D, K or comparable)

#### DC operation

Input voltage range	100 V DC ... 240 V DC $\pm 10\%$ ( $T_{amb} < 50\text{ °C}$ )
	160 V DC ... 240 V DC $\pm 10\%$ ( $T_{amb} < 60\text{ °C}$ / UL)
	160 V DC ... 240 V DC $\pm 10\%$ ( $T_{amb} < 60\text{ °C}$ )
Current consumption	typ. 5.4 A (100 V DC)
	typ. 2.3 A (240 V DC)

# TRIO3-CAP/1AC/24DC/20/12KJ/USB-485 - DC UPS with integrated power supply and capacity



1467815

<https://www.phoenixcontact.com/gb/products/1467815>

## Output data

Efficiency	typ. 94.4 % (230 V AC)
	typ. 93.4 % (120 V AC)
Short-circuit-proof	yes
No-load proof	yes
Crest factor	typ. 1.55 (120 V AC)
	typ. 1,7 (230 V AC)
Connection in parallel	yes, for increased performance (up to max. 180%)
Connection in series	yes
Feedback voltage resistance	≤ 35 V DC
Protection against overvoltage at the output (OVP)	≤ 35 V DC
Residual ripple	< 100 mV
Rise time	≤ 1 s ( $U_{OUT}$ (10 % ... 90 %))

## Mains operation

Output voltage	24 V DC ±2 %
Output voltage range	24 V DC ... 28 V DC (> 24 V constant capacity)
Output current $I_N$	20 A
Dynamic Boost ( $I_{Dyn.Boost}$ )	30 A (5 s)
Dynamic BOOST (ICAP.Boost)	70 A (350 ms)
Output power $P_{OUT}$ ( $U_N$ , $I_{OUT} = I_N$ )	480 W
Output power $P_{OUT}$ ( $U_N$ , $I_{OUT} = I_{stat.Boost}$ )	1680 W (350 ms)
Output power $P_{OUT}$ ( $U_N$ , $I_{OUT} = I_{dyn.Boost}$ )	720 W (5 s)
Short-circuit-proof	yes
Idling-proof	yes

## Battery operation

Output voltage	23.5 V DC ±2 %
Output voltage range	23.5 V DC ... 27.5 V DC (> 24 V constant capacity)
Output current $I_N$	20 A
Dynamic Boost ( $I_{Dyn.Boost}$ )	30 A (5 s)
Dynamic BOOST (ICAP.Boost)	70 A (350 ms)
Output power $P_{OUT}$ ( $U_N$ , $I_{OUT} = I_N$ )	480 W
Output power $P_{OUT}$ ( $U_N$ , $I_{OUT} = I_{stat.Boost}$ )	1680 W (350 ms)
Output power $P_{OUT}$ ( $U_N$ , $I_{OUT} = I_{dyn.Boost}$ )	720 W (5 s)
Power dissipation No load ( $U_N$ , $I_{Out} = 0$ , $I_{Charge} = 0$ )	8 W
Power dissipation Nominal load ( $U_N$ , $I_{Out} = I_N$ , $I_{Charge} = 0$ )	41 W
Power loss nominal load max.	35 W (230 V AC)
Maximum no-load power dissipation	9 W (230 V AC)
Output current limit	70 A (350 ms)
Recovery time	55 s (dyn. Boost)
Short-circuit-proof	yes

# TRIO3-CAP/1AC/24DC/20/12KJ/USB-485 - DC UPS with integrated power supply and capacity



1467815

<https://www.phoenixcontact.com/gb/products/1467815>

Idling-proof	yes
--------------	-----

## Energy storage

### Input


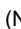
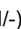
Charging current	1 A ... 5 A
Charging power	24 W

### General

Capacity	12 kJ
Storage medium	Double-layer capacitor
Permissible backup fuse	B10
Buffer time	25 s (20 A)

## Connection data

### Input

Position	1.x
Identification	1.1 (L/+), 1.2 (N/-), 1.3 (⊕    )

### Conductor connection

Connection method	Push-in spring connection
rigid	0.2 mm <sup>2</sup> ... 4 mm <sup>2</sup>
	1.5 mm <sup>2</sup> (recommended)
flexible	0.2 mm <sup>2</sup> ... 2.5 mm <sup>2</sup>
	1.5 mm <sup>2</sup> (recommended)
flexible with ferrule without plastic sleeve	0.25 mm <sup>2</sup> ... 2.5 mm <sup>2</sup>
	1.5 mm <sup>2</sup> (recommended)
flexible with ferrule with plastic sleeve	0.25 mm <sup>2</sup> ... 2.5 mm <sup>2</sup>
	1.5 mm <sup>2</sup> (recommended)
AWG	24 ... 12
	16 (recommended)
Stripping length	10 mm

### Output

Position	2.x
Identification	2.1 (+), 2.2 (-)

### Conductor connection

Connection method	Push-in spring connection
rigid	0.2 mm <sup>2</sup> ... 10 mm <sup>2</sup>
	4 mm <sup>2</sup> (recommended)
flexible	0.2 mm <sup>2</sup> ... 6 mm <sup>2</sup>
	4 mm <sup>2</sup> (recommended)
flexible with ferrule without plastic sleeve	0.25 mm <sup>2</sup> ... 6 mm <sup>2</sup>
	4 mm <sup>2</sup> (recommended)

# TRIO3-CAP/1AC/24DC/20/12KJ/USB-485 - DC UPS with integrated power supply and capacity



1467815

<https://www.phoenixcontact.com/gb/products/1467815>

flexible with ferrule with plastic sleeve	0.25 mm <sup>2</sup> ... 6 mm <sup>2</sup> 4 mm <sup>2</sup> (recommended)
AWG	24 ... 8 12 (recommended)
Stripping length	15 mm

## Signal

Position	3.x
Identification	3.1 (Mains Mode), 3.2 (Alarm), 3.3 (Ready), 3.4 (Remote)

## Conductor connection

Connection method	Push-in spring connection
rigid	0.2 mm <sup>2</sup> ... 1.5 mm <sup>2</sup> 0.5 mm <sup>2</sup>
flexible	0.2 mm <sup>2</sup> ... 1.5 mm <sup>2</sup> 0.5 mm <sup>2</sup>
flexible with ferrule without plastic sleeve	0.25 mm <sup>2</sup> ... 1.5 mm <sup>2</sup> 0.5 mm <sup>2</sup>
flexible with ferrule with plastic sleeve	0.25 mm <sup>2</sup> ... 0.75 mm <sup>2</sup> 0.5 mm <sup>2</sup>
AWG	24 ... 16 20
Stripping length	10 mm

## Interfaces

### Communication

Connection method	RS-485
-------------------	--------

### Communication

Connection method	USI (USB-C)
Interface	USI (Universal Service Interface) RS-485

## Signaling

### LED signaling

Types of signaling	Power LED
Color	red, yellow, green (multicolor LED)
LED off	Supply voltage input AC not present (Off)
LED on (green), DC OK	$U_{Out} > 21 \text{ V DC}$ and $I_{Out} < 0.9 \times I_N$ (green)
LED on (yellow), I <sub>Out</sub> > 90 %	$U_{Out} > 21 \text{ V DC}$ and $I_{Out} > 0.9 \times I_N$ (yellow)
LED on (red), ISHORT	$U_{Out} < 21 \text{ V DC}$ and $I_{Out} > 0.9 \times I_N$ (red)
LED on (flashing red) OVP	$U_{OUT} > OVP$ (Over voltage protection) (red, flashing)

### LED signaling

# TRIO3-CAP/1AC/24DC/20/12KJ/USB-485 - DC UPS with integrated power supply and capacity



1467815

<https://www.phoenixcontact.com/gb/products/1467815>

Types of signaling	LED mains or buffer mode
Color	red, yellow, green (multicolor LED)
LED off	Devices off (Off)
LED on (green)	Mains operation, the device is fully charged (green)
LED (green) flashing (1 Hz/90%)	Mains operation, the device is fully charged and Remote is active (green)
LED (green) flashing (1 Hz/10%)	Standby (green)
LED on (yellow)	Buffer mode (yellow)
LED (yellow) flashing (1 Hz/90%)	Charging process, Remote is active (yellow)
LED (yellow) flashing (1 Hz/50%)	Charging process (yellow)
LED (yellow) flashing (1 Hz/10%)	Reduced charging current, $100\% < I_{Out} < 150\%$ (yellow)

## LED signaling

Types of signaling	SOH LED (service life)
Color	red, yellow, green (multicolor LED)
LED off	Devices off (Off)
LED on (green)	Service life (SOH) > 3 months (green)
LED on (yellow)	Service life (SOH) < 3 months (yellow)
LED (yellow) flashing (1 Hz/90%)	Charging blocked, overtemperature (yellow)
LED on (red)	Device error or overtemperature (red)
LED (red) flashing (1 Hz/50%)	Buffer is not active, overtemperature (red)
	EEPROM, I/F board (red)

## Signal state Mains\_Mode

Connection labeling	3.1 Mains Mode
Channel	DO (digital output)
Switching contact	non-floating
State condition (configurable)	High: $U_{out} > U_{set} - 2V \pm \text{tol}$ and $U_{out} < 30.5 \pm \text{tol}$ Low: $U_{out} < U_{set} - 2V \pm \text{tol}$ or $U_{out} > 30.5 \pm \text{tol}$ Device is in buffer mode
Output can be loaded	20 mA
State - signal assignment	active - high
Reference potential	GND (2.2 negative pole)
LED status indicator	green
Resistance	1.2 k $\Omega$ (Pull-up)

## Signal state Alarm

Connection labeling	3.2 Alarm
Channel	DO (digital output)
Switching contact	non-floating
State condition (configurable)	Alarm threshold
Output can be loaded	20 mA
State - signal assignment	NC (Normally Closed)
Current carrying capacity	20 mA
Reference potential	GND (2.2 negative pole)

# TRIO3-CAP/1AC/24DC/20/12KJ/USB-485 - DC UPS with integrated power supply and capacity



1467815

<https://www.phoenixcontact.com/gb/products/1467815>

LED status indicator	red
Resistance	1.2 k $\Omega$ (Pull-up)

## Signal state Ready

Connection labeling	3.3 Ready
Channel	DO (digital output)
Switching contact	non-floating
State condition (configurable)	High: CAPs are fully charged Device is in buffer mode Low: CAPs are charging
Output can be loaded	20 mA
State - signal assignment	active - high
Current carrying capacity	20 mA
Reference potential	GND (2.2 negative pole)
LED status indicator	green
Resistance	1.2 k $\Omega$ (Pull-up)

## Signal state Remote

Connection labeling	3.4
Channel	DI (digital input)
State (configurable)	Remote
State condition (configurable)	Remote
State - signal assignment	active - low
Reference potential	2.2 (negative pole, identical to 3.1, 3.2, 3.3)

## Electrical properties

Number of phases	1
Insulation voltage input/output	5.3 kV DC (type test)
	3.1 kV DC (routine test)

## Product properties

Product type	DC UPS with integrated capacitor
Product family	TRIO DC UPS with integrated power supply and capacitor
MTBF (IEC 61709, SN 29500)	630000 h
	580000 h
	460000 h

## Insulation characteristics

Protection class	I
Overvoltage category (EN 61010-1)	III ( $\leq$ 2000 m)
	II ( $\leq$ 5000 m)
Overvoltage category (EN 61010-2-201)	III ( $\leq$ 2000 m)
Degree of pollution	2

## Dimensions

# TRIO3-CAP/1AC/24DC/20/12KJ/USB-485 - DC UPS with integrated power supply and capacity



1467815

<https://www.phoenixcontact.com/gb/products/1467815>

## Item dimensions

Width	249 mm
Height	135 mm
Depth	125 mm
Depth (Device depth (DIN rail mounting))	125 mm

## Mounting

Mounting type	DIN rail mounting
Mounting position	horizontal DIN rail NS 35, EN 60715

## Material specifications

Flammability rating according to UL 94 (housing / terminal blocks)	V0
--	----

## Environmental and real-life conditions

### Ambient conditions

Degree of protection	IP20
Ambient temperature (operation)	-25 °C ... 60 °C
Ambient temperature (storage/transport)	-40 °C ... 70 °C
Ambient temperature (start-up type tested)	-40 °C
Maximum altitude	≤ 5000 m (> 2000 m, Derating: 10 %/1000 m)
Climatic class	3K3
Max. permissible relative humidity (operation)	≤ 95 % (at 25 °C, non-condensing)
Shock	18 ms, 30g, in each space direction (according to IEC 60068-2-27)
Vibration (operation)	10 Hz ... 50 Hz, amplitude ±0.2 mm 50 Hz ... 150 Hz, 2.3g, 90 min.

## Standards and regulations

### Safety of power supply units up to 1100 V (insulation distances)

Standard designation	Safety of power supply units up to 1100 V (insulation distances)
Standards/specifications	DIN EN 61558-2-16

### Electrical safety

Standard designation	Electrical safety
Standards/specifications	IEC 61010-2-201 (SELV)

### Electronic equipment for use in power installations

Standard designation	Equipping high voltage installations with electronic equipment
Standards/specifications	EN 50178/VDE 0160 (PELV)

### Safety for measurement, control, and laboratory equipment

Standard designation	Safety for equipment for measurement, control, and laboratory use
----------------------	---

# TRIO3-CAP/1AC/24DC/20/12KJ/USB-485 - DC UPS with integrated power supply and capacity



1467815

<https://www.phoenixcontact.com/gb/products/1467815>

Standards/specifications	IEC 61010-1
Protective extra-low voltage	
Standard designation	Protective extra-low voltage
Standards/specifications	IEC 61010-1 (SELV)
	IEC 61010-2-201 (PELV)
Safe isolation	
Standard designation	Safe isolation
Standards/specifications	IEC 61558-2-16
	IEC 61010-2-201
Limitation of harmonic line currents	
Standard designation	Limitation of harmonic line currents
Standards/specifications	EN 61000-3-2
Security for industrial automation and control systems	
Standard designation	Security for industrial automation and control systems
Standards/specifications	IEC 62443-4-1

## Approvals

UL

Identification	UL/C-UL Listed UL 61010-1
----------------	---------------------------

UL

Identification	UL/C-UL Listed UL 61010-2-201
----------------	-------------------------------

ANSI/UL 121201

Identification	PROCESS CONTROL EQUIPEMENT FOR HAZARDOUS LOCATIONS
	(EN) • This equipment is suitable for use in Class I, Division 2, Groups A, B, C and D, Hazardous Locations, or non-hazardous locations only. (FR) • Cet appareil convient uniquement pour une utilisation en atmosphères explosibles de classe I, division 2, groupes A, B, C et D ou en atmosphères non explosibles.
	(EN) • WARNING: Explosion Hazard - Do not connect or disconnect equipment unless power has been switched off or the area is known to be non-hazardous. (FR) • AVERTISSEMENT : risque d'explosion - ne pas connecter ou déconnecter les équipements sauf si l'alimentation a été coupée ou si la zone est réputée non dangereuse.
	(EN) • If the equipment is used in a manner not specified by the manufacturer, the protection provided by the equipment may be impaired. (FR) • Si l'équipement est utilisé d'une manière non spécifiée par le fabricant, la protection fournie par cet équipement peut être altérée.

# TRIO3-CAP/1AC/24DC/20/12KJ/USB-485 - DC UPS with integrated power supply and capacity



1467815

<https://www.phoenixcontact.com/gb/products/1467815>

(EN) • This equipment must be installed in a suitable, tool secured/key locked enclosure.  
(FR) • Cet équipement doit être installé dans un boîtier approprié, verrouillé par une clé ou dont l'ouverture nécessite l'utilisation d'un outil.

## Shipbuilding

Identification	DNV
----------------	-----

## EMC data

Electromagnetic compatibility	Conformance with EMC Directive 2014/30/EU
Low Voltage Directive	Conformance with Low Voltage Directive 2014/35/EC
Interference emission	Interference emission in accordance with EN 61000-6-3 (residential and commercial) and EN 61000-6-4 (industrial)
Noise immunity	Immunity in accordance with EN 61000-6-1 (residential), EN 61000-6-2 (industrial)

## Conducted noise emission

Standards/regulations	EN 61000-6-3
-----------------------	--------------

## Noise emission

Standards/regulations	EN 61000-6-3
-----------------------	--------------

## DNV GL conducted noise emissions

DNV	Class A
Additional text	Area power distribution

## DNV GL noise radiation

DNV	Class B
Additional text	Bridge and deck area

## Harmonic currents

Standards/regulations	EN 61000-3-2
-----------------------	--------------

## Flicker

Standards/regulations	EN 61000-3-3
-----------------------	--------------

## Electrostatic discharge

Standards/regulations	EN 61000-4-2
-----------------------	--------------

## Electrostatic discharge

Contact discharge	6 kV (Test Level 3)
Discharge in air	8 kV (Test Level 3)
Comments	Criterion B

## Electromagnetic HF field

Standards/regulations	EN 61000-4-3
-----------------------	--------------

## Electromagnetic HF field

# TRIO3-CAP/1AC/24DC/20/12KJ/USB-485 - DC UPS with integrated power supply and capacity



1467815

<https://www.phoenixcontact.com/gb/products/1467815>

Frequency range	80 MHz ... 6 GHz
Test field strength	10 V/m (Test Level 3)

## Fast transients (burst)

Standards/regulations	EN 61000-4-4
-----------------------	--------------

## Fast transients (burst)

Input	asymmetrical 4 kV (Test Level 3)
Comments	Criterion A

## Surge voltage load (surge)

Standards/regulations	EN 61000-4-5
-----------------------	--------------

## Surge voltage load (surge)

Input	symmetrical 1 kV (Test Level 3)
	asymmetrical 2 kV (Test Level 3)
Output	symmetrical 1 kV (Test Level 2)
	asymmetrical 1 kV (Test Level 3)
Signal	asymmetrical 1 kV (Test Level 2)
Comments	Criterion B

## Conducted interference

Standards/regulations	EN 61000-4-6
-----------------------	--------------

## Conducted interference

Input/output/signal	asymmetrical
Frequency range	0.15 MHz ... 80 MHz
Comments	Criterion A
Voltage	10 V

## Voltage dips

Standards/regulations	EN 61000-4-11
Voltage	230 V AC
Frequency	50 Hz
Voltage dip	70 %
Number of periods	25 periods
Additional text	Class 3
Comments	Criterion A
Voltage dip	40 %
Number of periods	10 periods
Additional text	Class 3
Comments	Criterion A
Voltage dip	0 %
Number of periods	1 period
Additional text	Class 3
Comments	Criterion A

# TRIO3-CAP/1AC/24DC/20/12KJ/USB-485 - DC UPS with integrated power supply and capacity



1467815

<https://www.phoenixcontact.com/gb/products/1467815>

## Criteria

Criterion A	Normal operating behavior within the specified limits.
Criterion B	Temporary impairment to operational behavior that is corrected by the device itself.
Criterion C	Temporary adverse effects on the operating behavior, which the device corrects automatically or which can be restored by actuating the operating elements.



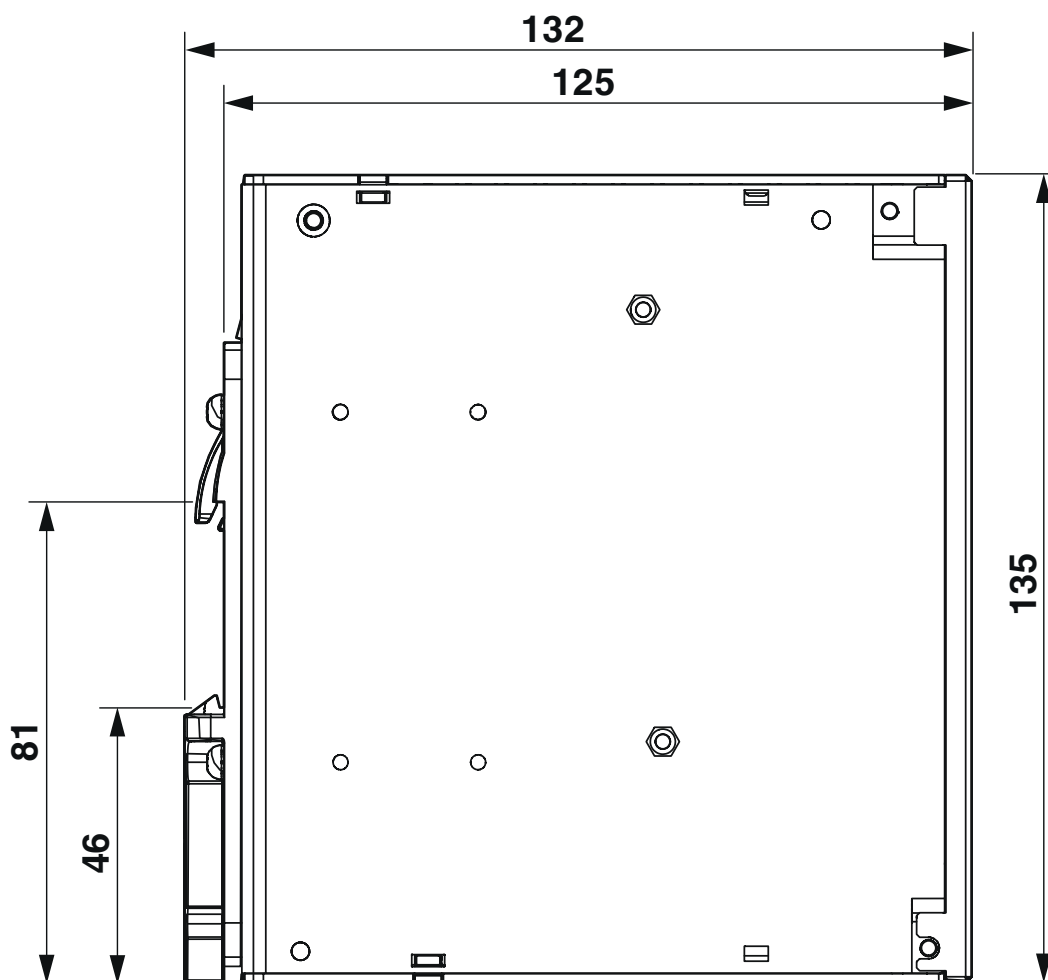
# TRIO3-CAP/1AC/24DC/20/12KJ/USB-485 - DC UPS with integrated power supply and capacity



1467815

<https://www.phoenixcontact.com/gb/products/1467815>

Dimensional drawing



Dimensions, side view (in mm)

# TRIO3-CAP/1AC/24DC/20/12KJ/USB-485 - DC UPS with integrated power supply and capacity

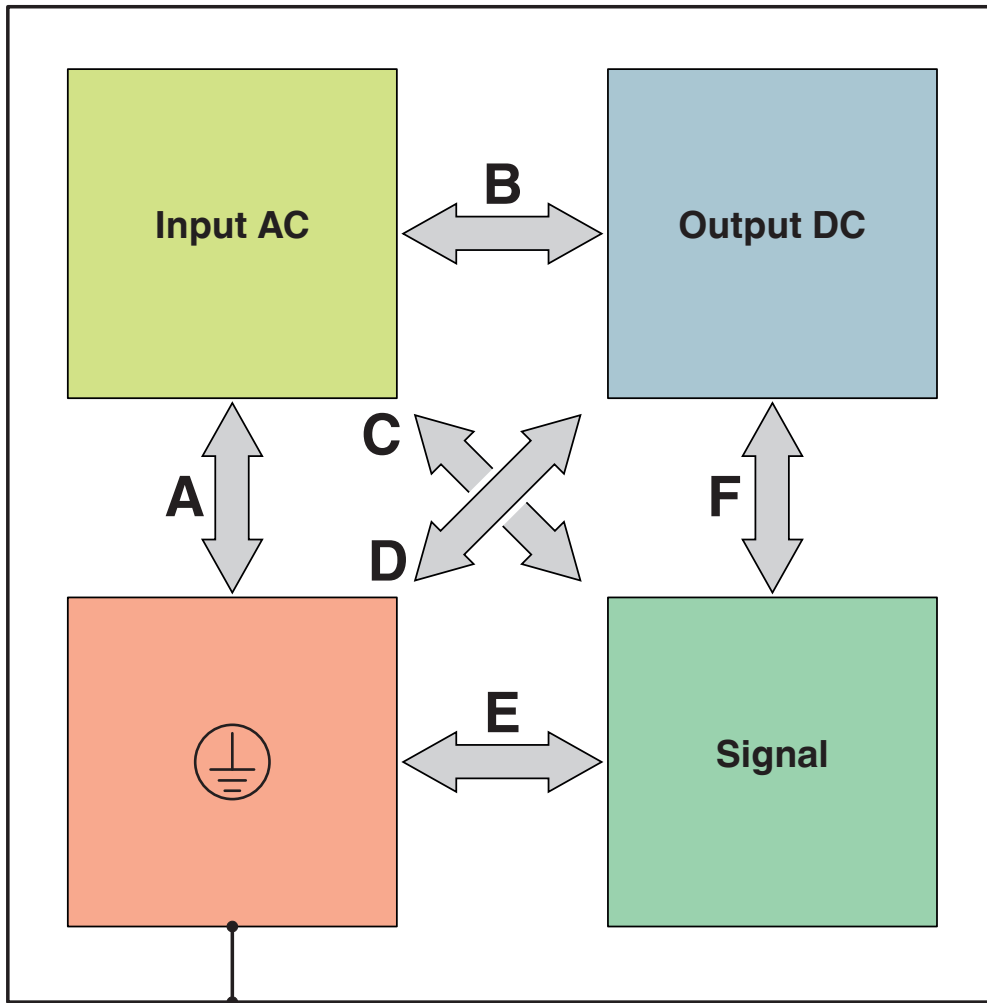


1467815

<https://www.phoenixcontact.com/gb/products/1467815>

Schematic diagram

## Housing



Test sections, insulation voltage

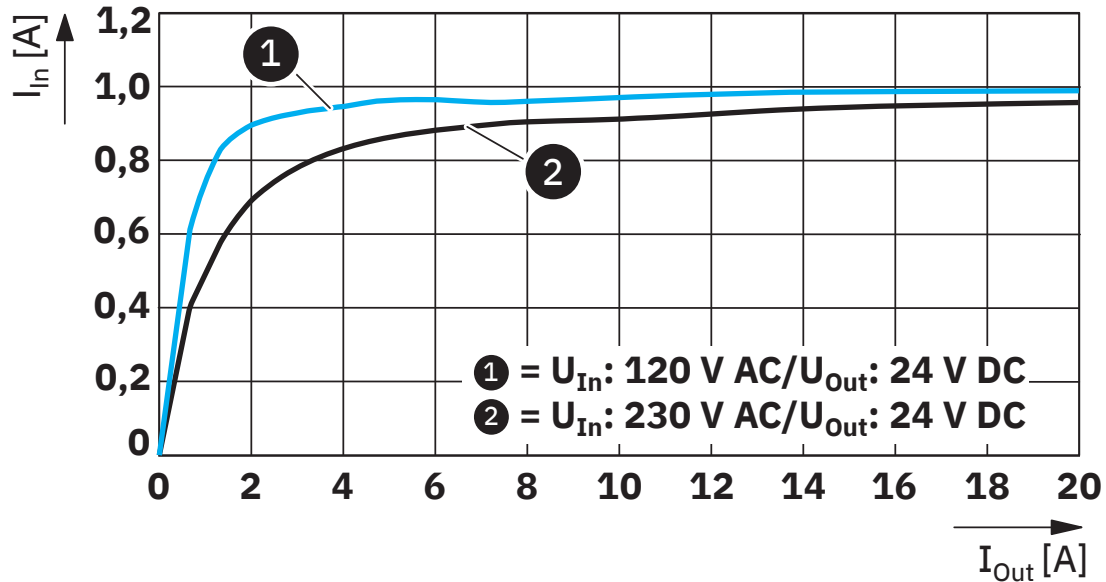
# TRIO3-CAP/1AC/24DC/20/12KJ/USB-485 - DC UPS with integrated power supply and capacity



1467815

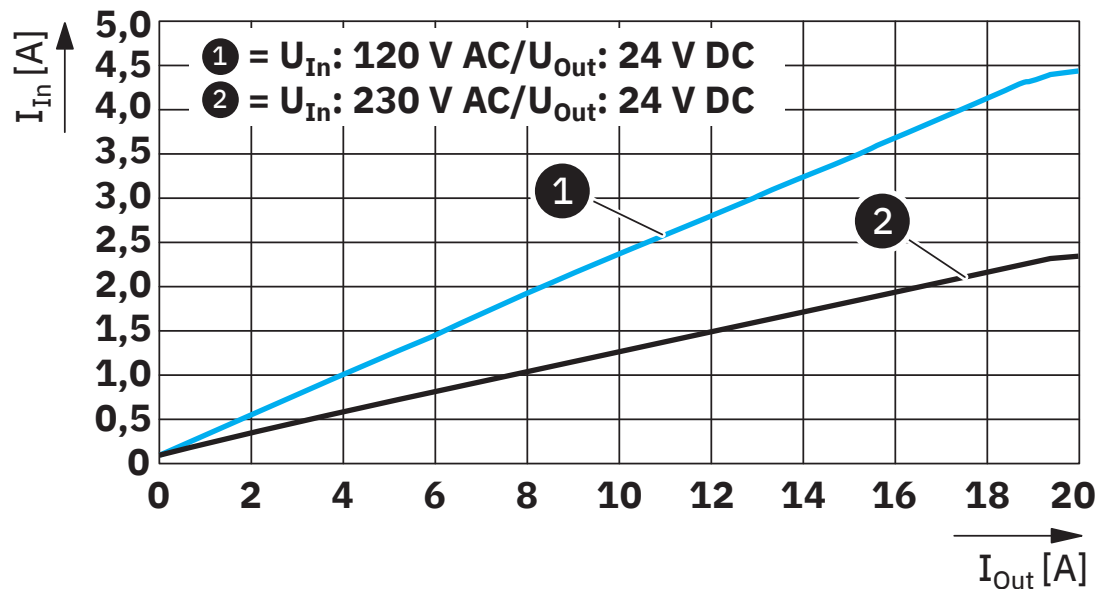
<https://www.phoenixcontact.com/gb/products/1467815>

Diagram



Power factor

Diagram



Input current/output current

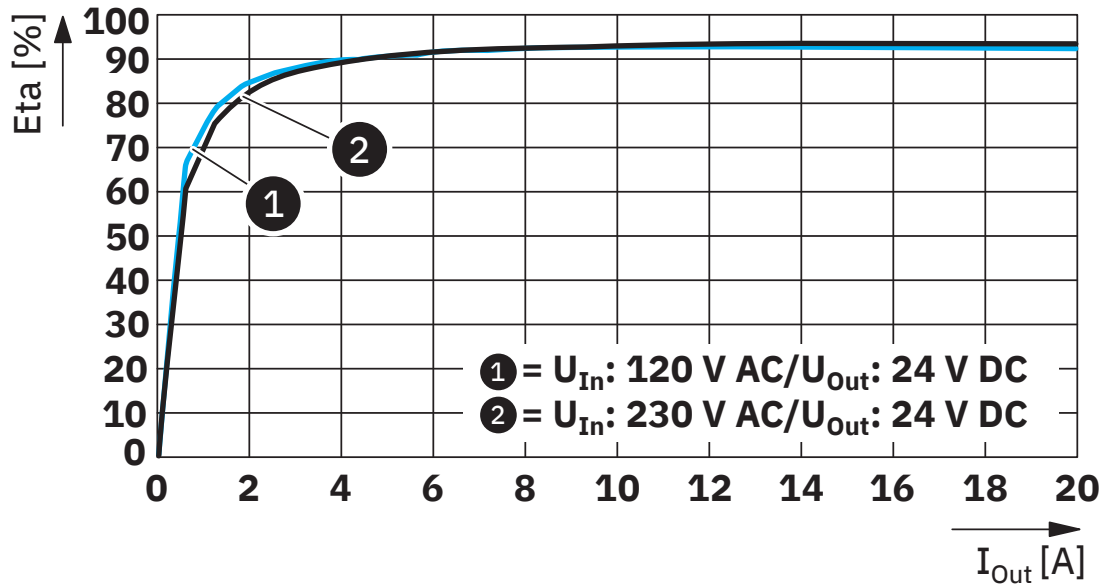
# TRIO3-CAP/1AC/24DC/20/12KJ/USB-485 - DC UPS with integrated power supply and capacity



1467815

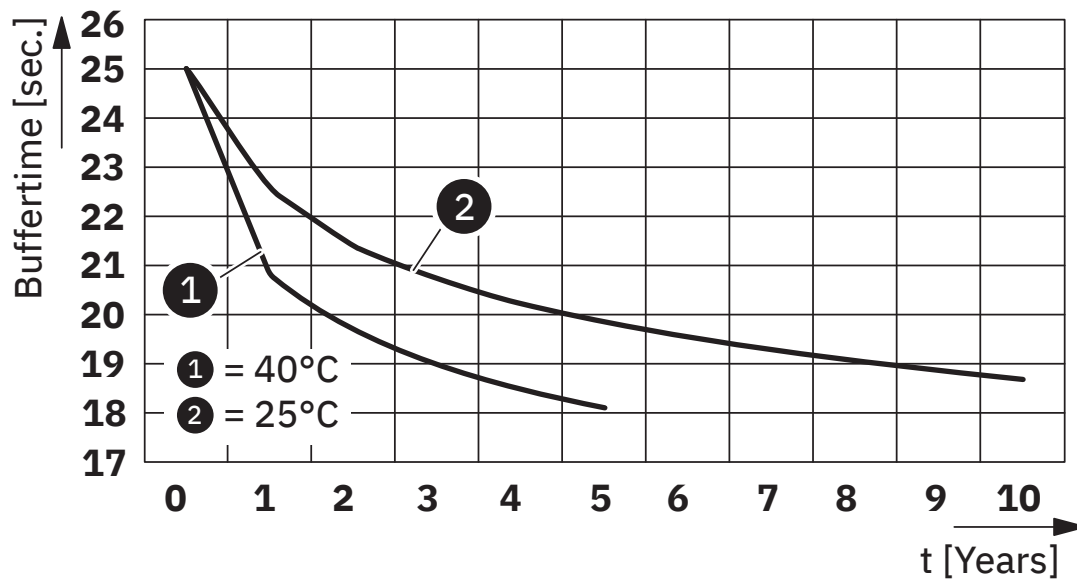
<https://www.phoenixcontact.com/gb/products/1467815>

Diagram



Efficiency

Diagram



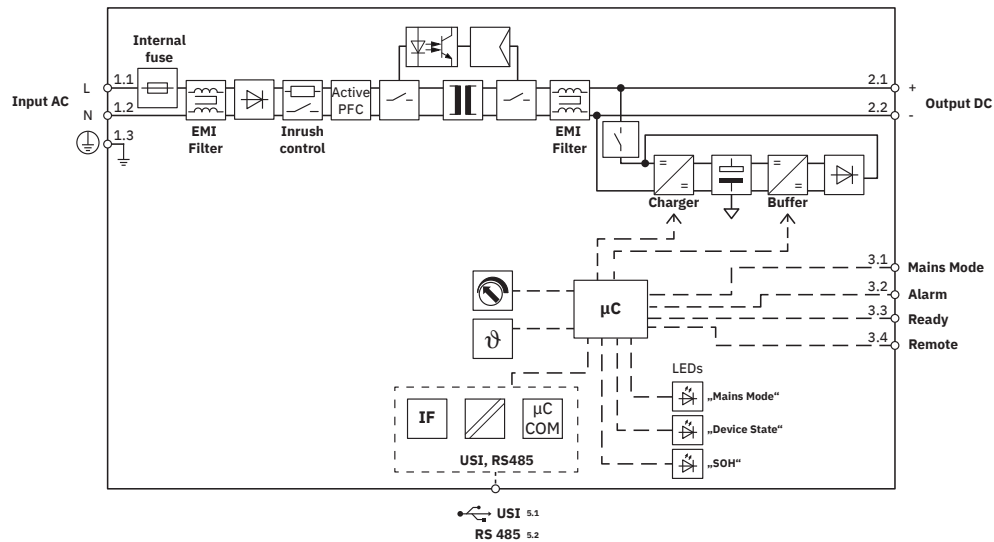
# TRIO3-CAP/1AC/24DC/20/12KJ/USB-485 - DC UPS with integrated power supply and capacity



1467815

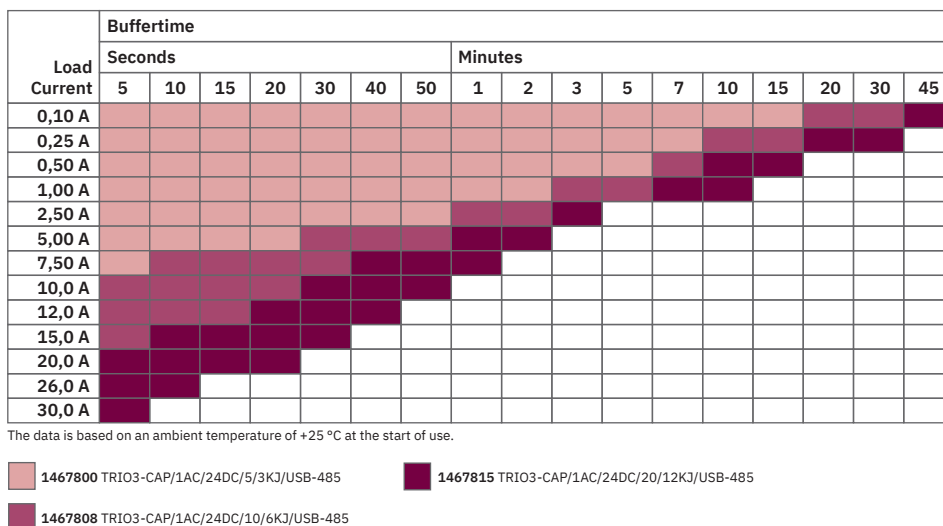
<https://www.phoenixcontact.com/gb/products/1467815>

Block diagram



Block diagram

Graphic



Buffer times TRIO CAP

# TRIO3-CAP/1AC/24DC/20/12KJ/USB-485 - DC UPS with integrated power supply and capacity



1467815

<https://www.phoenixcontact.com/gb/products/1467815>

## Approvals

To download certificates, visit the product detail page: <https://www.phoenixcontact.com/gb/products/1467815>



**cULus Listed**

Approval ID: E123528-20240710



**IECEE CB Scheme**

Approval ID: T223-0277/25,0278/25

**DNV**

Approval ID: TAA00000BM

**CoC / Compliance Statement**

Approval ID: C211-0003/26



**cULus Listed**

Approval ID: E199827-20240927

# TRIO3-CAP/1AC/24DC/20/12KJ/USB-485 - DC UPS with integrated power supply and capacity



1467815

<https://www.phoenixcontact.com/gb/products/1467815>

## Classifications

### ECLASS

ECLASS-13.0	27040705
ECLASS-15.0	27040705

### ETIM

ETIM 10.0	EC000382
-----------	----------

# TRIO3-CAP/1AC/24DC/20/12KJ/USB-485 - DC UPS with integrated power supply and capacity



1467815

<https://www.phoenixcontact.com/gb/products/1467815>

## Environmental product compliance

### EU RoHS

Fulfills EU RoHS substance requirements	Yes
Exemption	6(c), 7(a), 7(c)-I

### China RoHS

Environment friendly use period (EFUP)	EFUP-25
	An article-related China RoHS declaration table can be found in the download area for the respective article under "Manufacturer declaration". For all articles with EFUP-E, no China RoHS declaration table issued and required.

### EU REACH SVHC

REACH candidate substance (CAS No.)	Lead(CAS: 7439-92-1)
-------------------------------------	----------------------

Phoenix Contact 2026 © - all rights reserved  
<https://www.phoenixcontact.com>

PHOENIX CONTACT Ltd  
Halesfield 13, Telford  
Shropshire, TF7 4PG  
01952 681700  
[info@phoenixcontact.co.uk](mailto:info@phoenixcontact.co.uk)