



Main

| | |
|--------------------------------|-------------------------------------------------------------------------------------------------------------------------------------------------------------------------------------------------------------------------------------------------------------------------------------------------------------------------|
| Range of product | Advantys Telefast ABE7 |
| Product or component type | Passive discrete I/O sub-base |
| Sub-base type | I/O sub-base |
| [Us] rated supply voltage | 19...30 V conforming to IEC 61131-2 |
| Number of channels | 16 |
| Number of terminal per channel | 2 |
| Connections - terminals | Spring terminal, clamping capacity: 1 x 0.14...1 x 2.5 mm ² AWG 26...14 flexible without cable end Spring terminal, clamping capacity: 1 x 0.14...1 x 2.5 mm ² AWG 26...12 solid Spring terminal, clamping capacity: 1 x 0.09...1 x 1.5 mm ² AWG 28...16 flexible with cable end |
| Channel additional information | 1 switch disconnecter per channel |

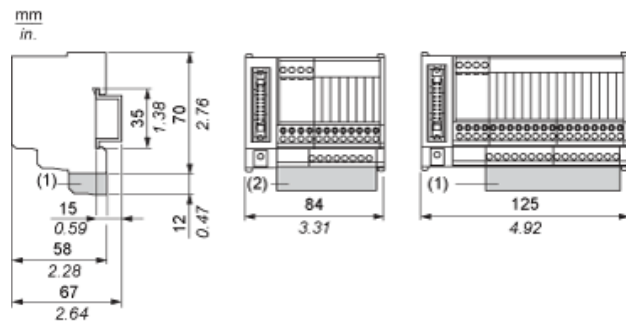
Complementary

| | |
|-----------------------------------|------------------------------------------------------------------------------------|
| Supply voltage type | DC |
| Number of horizontal rows | 2 |
| Status LED | 1 LED, green for power ON 1 LED per channel, green for channel status |
| Polarity distribution | 0 V or 24 V |
| Short circuit protection | 2 A internal fuse, 5 x 20 mm, fast blow (PLC end) |
| Connector type | HE-10 |
| Pin number | 20 pins |
| Fixing mode | By screws on solid plate with fixing kit By clips on 35 mm symmetrical DIN rail |
| Supply current | <= 1.8 A |
| Current per channel | <= 0.5 A |
| Current per output common | <= 1.8 A |
| Voltage drop on power supply fuse | 0.3 V |
| [Ui] rated insulation voltage | 2000 V |
| Installation category | II conforming to IEC 60664-1 |
| Tightening torque | 0.6 N.m (with flat Ø 3.5 mm) |
| Width | 125 mm |
| Product weight | 0.375 kg |

Environment

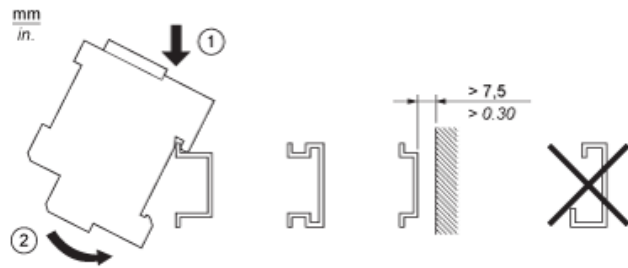
| | |
|---------------------------------------|------------------------------------------------------------------------------------------------------|
| IP degree of protection | IP2x conforming to IEC 60529 |
| Resistance to incandescent wire | 750 °C, extinction time: <= 30 s conforming to IEC 60695-2-11 |
| Shock resistance | 15 gn for 11 ms conforming to IEC 60068-2-27 |
| Vibration resistance | 2 gn (f = 10...150 Hz) conforming to IEC 60068-2-6 |
| Resistance to electrostatic discharge | 8 kV (air) conforming to IEC 61000-4-2 level 3 4 kV (contact) conforming to IEC 61000-4-2 level 3 |
| Resistance to radiated fields | 10 V/m (26000000...1000000000 Hz) conforming to IEC 61000-4-3 level 3 |
| Resistance to fast transients | 2 kV conforming to IEC 61000-4-4 level 3 |
| Ambient air temperature for operation | -5...60 °C conforming to IEC 61131-2 |
| Ambient air temperature for storage | -40...80 °C conforming to IEC 61131-2 |
| Pollution degree | 2 conforming to IEC 60664-1 |

Dimensions

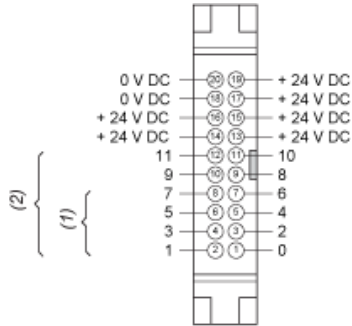


- (1) ABE7BV10 / BV20, ABE7BV10E / BV20E
- (2) ABE7BV10, ABE7BV10E

Mounting

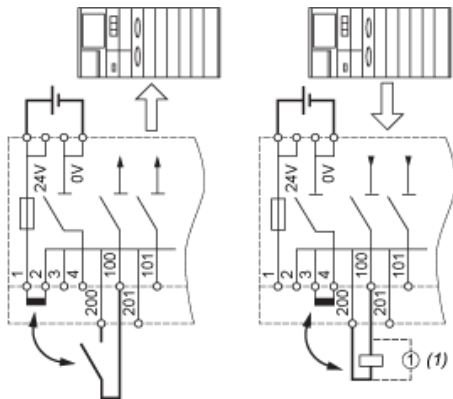


HE10 8/12 Channels



- (1) 8 channels
- (2) 12 channels

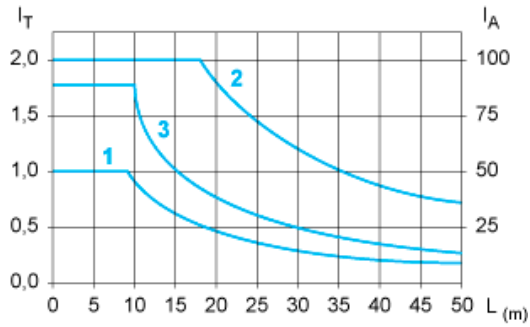
Wiring Diagram



- (1) Inductive load

Curves for Determining Cable Type and Length According to the Current

16-channel Sub-base



L Cable length

I_T Total current per sub base (A)

I_A Average current per channel (mA)

(1) TSXCDP••2 and ABFH20H••0 cables with c.s.a. 0.08 mm² (AWG 28).

(2) TSXCDP••3 cables with c.s.a. 0.34 mm² (AWG 22).

(3) Cables with c.s.a. 0.13 mm² (AWG 26).

The curves are given for a voltage drop of 1 V in the cable. For n volts tolerance, multiply the length determined from the graph by n.