



Main

Range of product	Advantys Telefast ABE7
Product or component type	Sub-base for plug-in relay
Sub-base type	Input sub-base
[Us] rated supply voltage	19...30 V conforming to IEC 61131-2
Number of channels	16
Number of terminal per channel	2
Connections - terminals	<p>Screw type terminals, clamping capacity: 2 x 0.2...2 x 2.5 mm², cable cross section: 0.2...2.5 mm² AWG 24...14 solid</p> <p>Screw type terminals, clamping capacity: 2 x 0.09...2 x 0.75 mm², cable cross section: 0.09...0.75 mm² AWG 28...20 flexible with cable end</p> <p>Screw type terminals, clamping capacity: 1 x 0.14...1 x 2.5 mm², cable cross section: 0.14...2.5 mm² AWG 26...14 flexible without cable end</p> <p>Screw type terminals, clamping capacity: 1 x 0.14...1 x 2.5 mm², cable cross section: 0.14...2.5 mm² AWG 26...12 solid</p> <p>Screw type terminals, clamping capacity: 1 x 0.09...1 x 1.5 mm², cable cross section: 0.09...1.5 mm² AWG 28...16 flexible with cable end</p>

Complementary

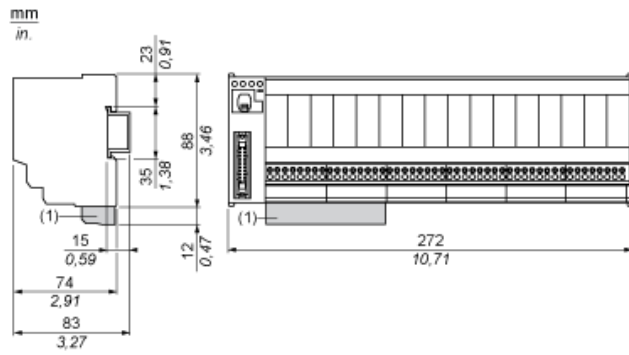
Supply voltage type	DC
Product compatibility	ABR7 ABS7E ABS7S33E
Status LED	1 LED, green for power ON 1 LED per channel, green for channel status
Isolation PLC/operative part	Yes
Polarity distribution	Polarity distribution contact common per group of 4 channels
Short circuit protection	1 A internal fuse, 5 x 20 mm, fast blow (PLC end)
Fixing mode	By screws on solid plate with fixing kit By clips on 35 mm symmetrical DIN rail
Supply current	<= 1 A
Voltage drop on power supply fuse	0.3 V
[Uimp] rated impulse withstand voltage	2.5 kV
[Ui] rated insulation voltage	300 V between coil circuit/contact circuits conforming to IEC 60947-1 2000 V between terminals/mounting rails
Installation category	II conforming to IEC 60664-1
Tightening torque	0.6 N.m (with flat Ø 3.5 mm)
Product weight	0.85 kg

The information provided in this documentation contains general descriptions and/or technical characteristics of the performance of the products contained herein. This documentation is not intended as a substitute for and is not to be used for determining suitability or reliability of these products for specific user applications. It is the duty of any such user or integrator to perform the appropriate and complete risk analysis, evaluation and testing of the products with respect to the relevant specific application or use thereof. Neither Schneider Electric Industries SAS nor any of its affiliates or subsidiaries shall be responsible or liable for misuse of the information contained herein.

Environment

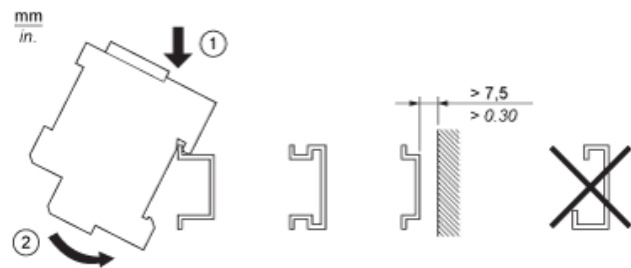
Product certifications	BV CSA DNV GL LROS (Lloyds register of shipping)
IP degree of protection	IP2x conforming to IEC 60529
Resistance to incandescent wire	750 °C conforming to IEC 60695-2-11
Shock resistance	15 gn for 11 ms conforming to IEC 60068-2-27
Vibration resistance	2 gn (f = 10...150 Hz) conforming to IEC 60068-2-6
Resistance to electrostatic discharge	8 kV (air) conforming to IEC 61000-4-2 level 3 4 kV (contact) conforming to IEC 61000-4-2 level 3
Resistance to radiated fields	10 V/m (26000000...1000000000 Hz) conforming to IEC 61000-4-3 level 3
Resistance to fast transients	2 kV conforming to IEC 61000-4-4 level 3
Ambient air temperature for operation	-5...60 °C conforming to IEC 61131-2
Ambient air temperature for storage	-40...80 °C conforming to IEC 61131-2
Pollution degree	2 conforming to IEC 60664-1

Dimensions

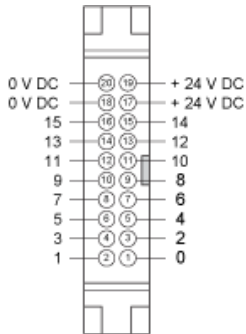


(1) ABE7BV10 / BV20, ABE7BV10E / BV20E

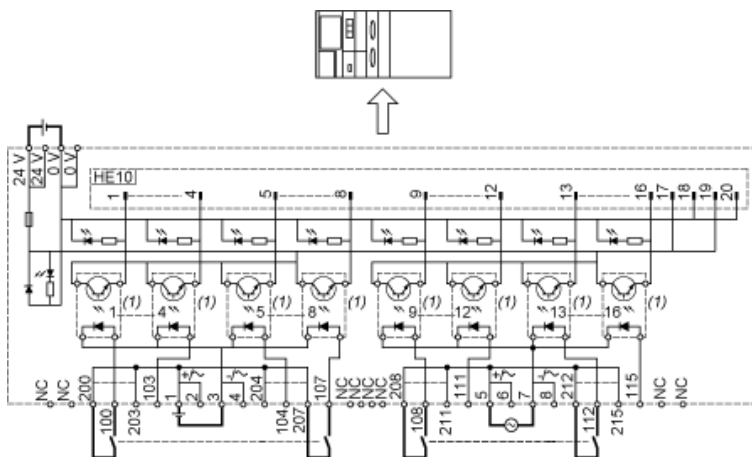
Mounting



HE10 16 Channels

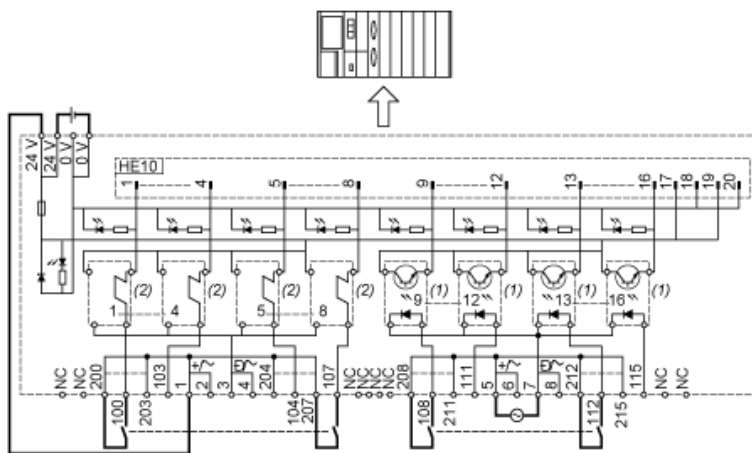


Wiring Diagram



- (1) ABS7EC3AL (5 VDC TTL) / ABS7EC3B2 (24 VDC) / ABS7EC3E2 (48 VDC) / ABS7EA3E5 (48 VAC) / ABS7EA3F5 (110/130 VAC) / ABS7EA3M5 (230/240 VAC) (not supplied)

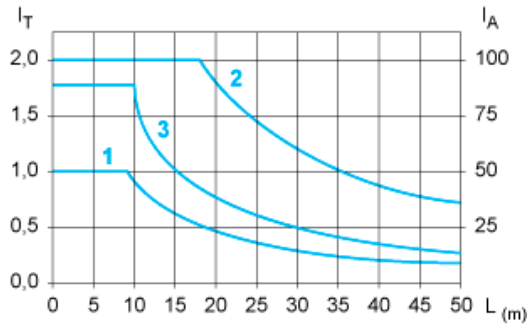
Wiring Diagram



- (1) ABS7EC3AL (5 VDC TTL) / ABS7EC3B2 (24 VDC) / ABS7EC3E2 (48 VDC) / ABS7EA3E5 (48 VAC) / ABS7EA3F5 (110/130 VAC) / ABS7EA3M5 (230/240 VAC) (not supplied)
(2) ABE7ACC21 (24 VDC) (not supplied / not isolated)

Curves for Determining Cable Type and Length According to the Current

16-channel Sub-base



L Cable length

I_T Total current per sub base (A)

I_A Average current per channel (mA)

(1) TSXCDP••2 and ABFH20H••0 cables with c.s.a. 0.08 mm² (AWG 28).

(2) TSXCDP••3 cables with c.s.a. 0.34 mm² (AWG 22).

(3) Cables with c.s.a. 0.13 mm² (AWG 26).

The curves are given for a voltage drop of 1 V in the cable. For n volts tolerance, multiply the length determined from the graph by n.