

ABE9C1241C23

IP67 passive splitter box - M23 connector - with
4 channels M12 connector - Led



Main

Range of product	Advantys ABE9
Product or component type	IP67 passive splitter box
Number of channels	4
Electrical connection	4 female connectors M12 5 pins 1 male connector M23 19 pins
Status LED	1 LED per channel yellow channel status 1 LED green power ON

Complementary

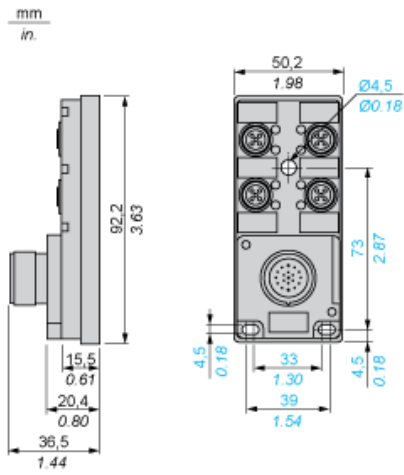
Number of ways	8 ways
[Ue] rated operational voltage	24 V DC
Current per channel	<= 4 A
Insulation group	Category 3 VDE 0110
Operating position	Any position
Fixing mode	M4 screw fixing
Contact resistance	5000 µOhm
Current of common	12 A 0.75 mm ² 16 A 1 mm ²
Separation of commons	Without
Product weight	0.08 kg

Environment

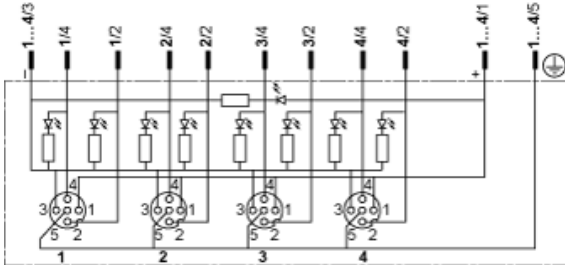
IP degree of protection	IP67 IEC 529
Product certifications	CULus
Ambient air temperature for operation	-20...80 °C
Ambient air temperature for storage	-40...85 °C
Vibration resistance	0.2 gn 57...150 Hz IEC 68-2-6, FC tests
Shock resistance	30 gn 11 ms IEC 68-2-2 30 gn 11 ms EN 68-2-2

The information provided in this documentation contains general descriptions and/or technical characteristics of the performance of the products contained herein. This documentation is not intended as a substitute for and is not to be used for determining suitability or reliability of these products for specific user applications. It is the duty of any such user or integrator to perform the appropriate and complete risk analysis, evaluation and testing of the products with respect to the relevant specific application or use thereof. Neither Schneider Electric Industries SAS nor any of its affiliates or subsidiaries shall be responsible or liable for misuse of the information contained herein.

Dimensions



Wiring Diagram



Item	M23 connector contact
1/4	15
1/2	7
2/4	5
2/2	4
3/4	16
3/2	8
4/4	3
4/2	14
1 and 3/1	19
2 and 4/1	19
1 and 3/3	6
2 and 4/3	6
1...4/5	12

M23 Connector

