

COUPLING LINK FOR MOUNTING ONTO  
AC,DC,AC/DC CONTACTORS 3RT2 S00-S3, 24V DC  
CONTROL SPRING CONNECTION



Figure similar

General technical data:		
product brandname		SIRIUS
Size of contactor		S00, S0, S2, S3
Protection class IP on the front		IP20
Degree of pollution		3
Product component protective wiring		Yes
Ambient temperature		
• during storage	°C	-40 ... +80
• during operation	°C	-25 ... +60
Insulation voltage rated value	V	300
Control circuit/ Control:		
Type of voltage of the control supply voltage		DC
Control supply voltage 1		
• at DC		
— rated value	V	24
Operating range factor control supply voltage rated value of magnet coil		

- at DC

0.7 ... 1.25

#### Auxiliary circuit:

<b>Number of NO contacts for auxiliary contacts instantaneous contact</b>		1
<b>Operating current of auxiliary contacts</b>		
<ul style="list-style-type: none"> <li>• at AC-12           <ul style="list-style-type: none"> <li>— at 24 V</li> <li>— at 230 V</li> </ul> </li> <li>• at AC-15           <ul style="list-style-type: none"> <li>— at 24 V</li> <li>— at 230 V</li> </ul> </li> <li>• at DC-13           <ul style="list-style-type: none"> <li>— at 24 V</li> <li>— at 110 V</li> <li>— at 220 V</li> </ul> </li> </ul>	A A A A A A A	6 6 3 3 1 0.2 0.1

#### Installation/ mounting/ dimensions:

<b>Mounting position</b>		any
<b>Mounting type</b>		direct mounting
<b>Width</b>	mm	45
<b>Height</b>	mm	35
<b>Depth</b>	mm	50

#### Connections/ Terminals:

<b>Type of connectable conductor cross-sections</b>		
<ul style="list-style-type: none"> <li>• for auxiliary contacts           <ul style="list-style-type: none"> <li>— solid</li> <li>— finely stranded</li> <li>— with core end processing</li> </ul> </li> </ul>		2x (0.5 ... 1.5 mm <sup>2</sup> ), 2x (0.75 ... 2.5 mm <sup>2</sup> )  2x (0.5 ... 1.5 mm <sup>2</sup> )

#### Certificates/ approvals:

General Product Approval	Declaration of Conformity	Test Certificates	Shipping Approval
--------------------------	---------------------------	-------------------	-------------------



[Type Test Certificates/Test Report](#)



Shipping Approval	other
-------------------	-------



[Environmental Confirmations](#)

[Confirmation](#)

### Further information

**Information- and Downloadcenter (Catalogs, Brochures,...)**

<http://www.siemens.com/industrial-controls/catalogs>

**Industry Mall (Online ordering system)**

<http://www.siemens.com/industrymall>

**Cax online generator**

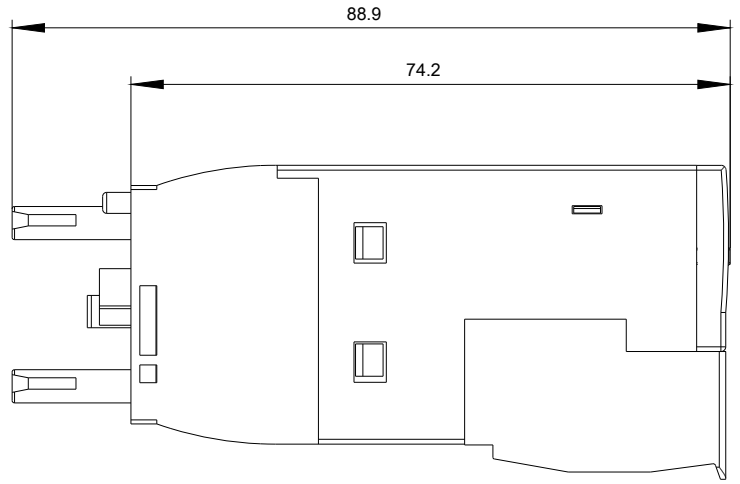
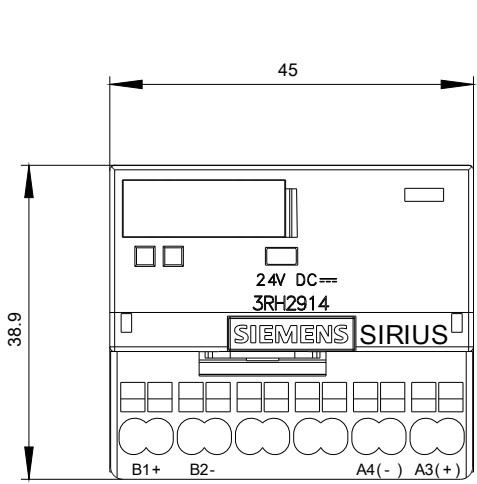
<http://support.automation.siemens.com/WW/CAXorder/default.aspx?lang=en&mfb=3RH2914-2GP11>

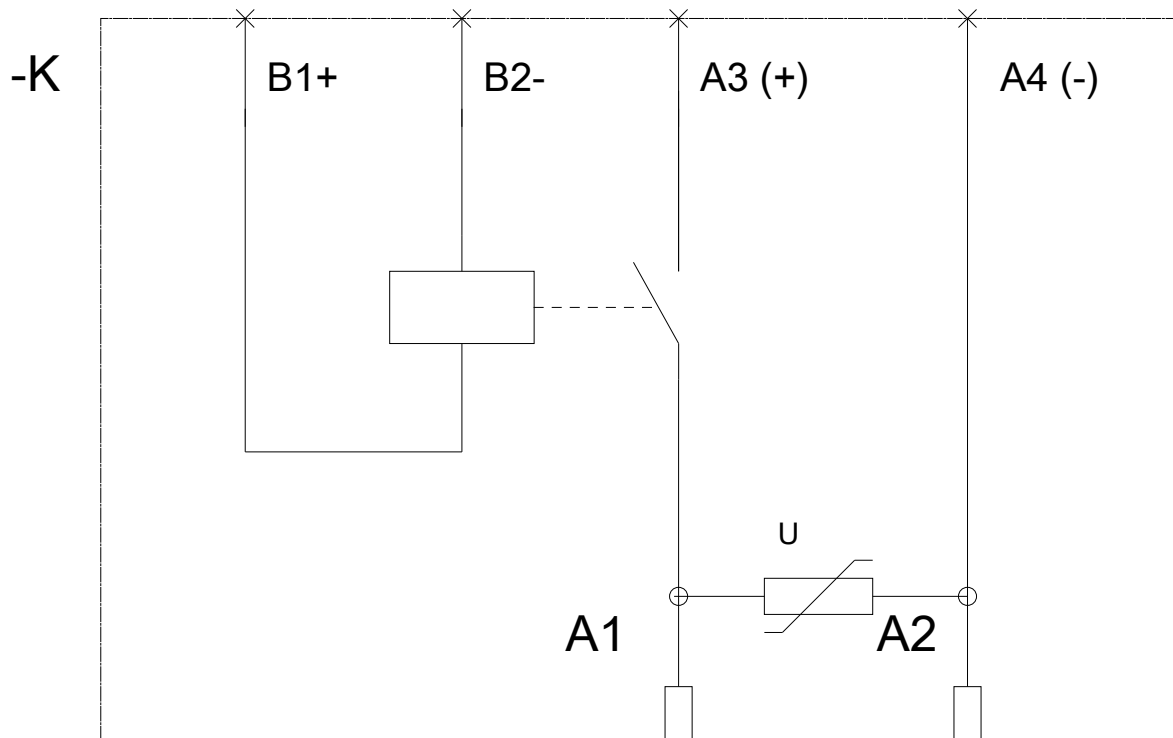
**Service&Support (Manuals, Certificates, Characteristics, FAQs,...)**

<https://support.industry.siemens.com/cs/ww/en/ps/3RH2914-2GP11>

**Image database (product images, 2D dimension drawings, 3D models, device circuit diagrams, EPLAN macros, ...)**

[http://www.automation.siemens.com/bilddb/cax\\_de.aspx?mfb=3RH2914-2GP11&lang=en](http://www.automation.siemens.com/bilddb/cax_de.aspx?mfb=3RH2914-2GP11&lang=en)





last modified:

08/26/2017