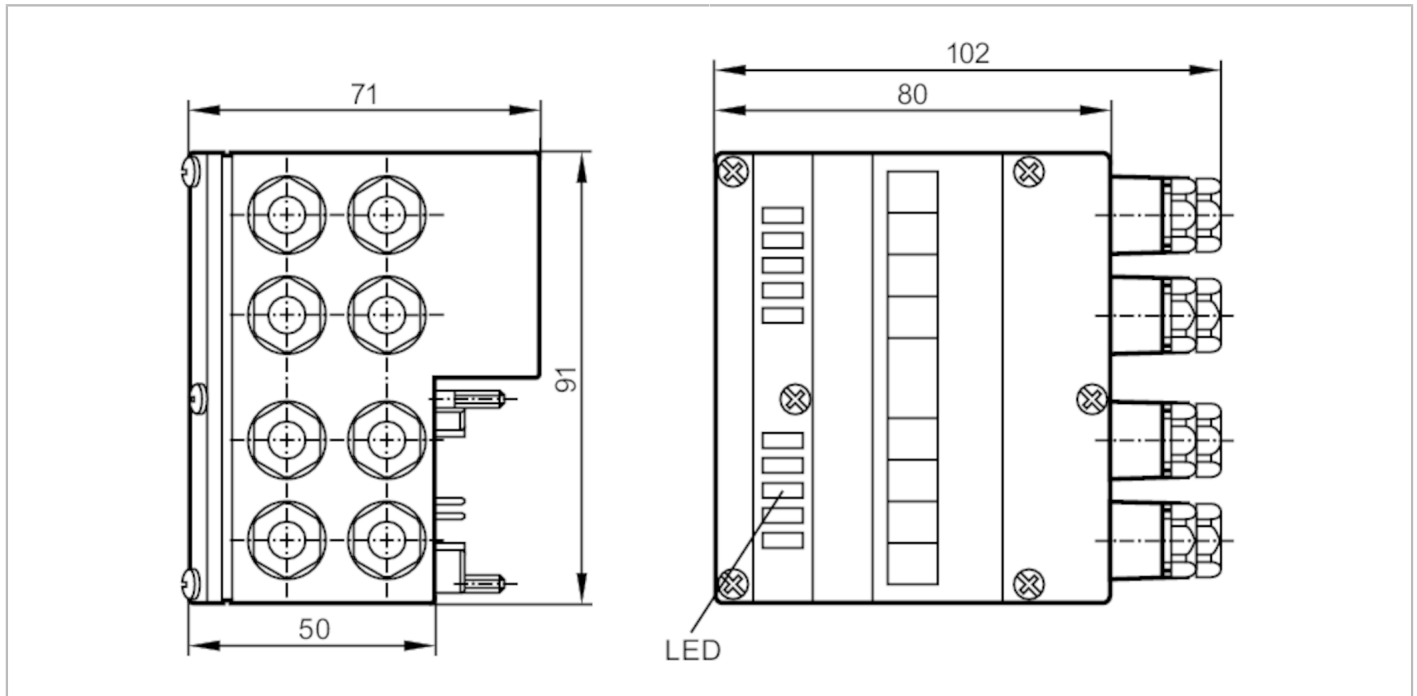


# AC1150



## AS-Interface module for frequency inverter

2DI RS485 SEW CCT



### Electrical data

Operating voltage	[V]	26.5...31.6 DC
Max. current consumption from AS-i	[mA]	80
Reverse polarity protection		yes

### Inputs / outputs

Number of inputs and outputs	Number of digital inputs: 2
------------------------------	-----------------------------

### Inputs

Number of digital inputs	2
Input circuit of digital inputs	PNP
voltage supply	[V] 20...30
Max. total current rating of inputs	[mA] 26
Input current High	[mA] > 5
Input current Low	[mA] < 1
Sensor supply of the inputs	external 24 V

### Operating conditions

Ambient temperature	[°C] 0...55
Protection	IP 65

### Tests / approvals

EMC	EN 50295
-----	----------

# AC1150



## AS-Interface module for frequency inverter

2DI RS485 SEW CCT

AS-i classification					
AS-i profile	S-7.F				
AS-i I/O configuration [hex]	7				
AS-i ID code [hex]	F				
AS-i certificate pending	yes				
Assignment of the data bits	data bit	D0	D1	D2	D3
	function	motor stopped/ running	error message	input 1	input 2
Mechanical data					
Weight [g]	286.7				
Type of mounting	AS-i interface to FC-E lower parts				
Materials	PBT				
Displays / operating elements					
Display	switching status	LED, yellow			
	operation	LED, green			
	short circuit	LED, red			
	function	LED, red			
Remarks					
Notes	discontinued article				
Pack quantity	1 pcs.				
Electrical connection					
contact pins to module lower part, FK-E:					