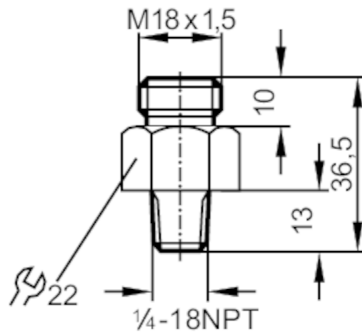


E40106



Screw-in adapter for process sensors

Adapter SI/1 - 1/4NPT



Application

Application	for industrial applications
Media	liquids and gases
Pressure rating [bar]	300

Tests / approvals

Pressure Equipment Directive	Sound Engineering Practice; can be used for group 2 fluids; group 1 fluids on request
------------------------------	---

Mechanical data

Weight [g]	57.6
Materials	stainless steel (1.4404 / 316L)
Sensor connection	M18 x 1,5 internal thread
Process connection	1/4 NPT
Insertion depth [mm]	13.9; (measuring probe SID, SFD, TN)

Remarks

Pack quantity	1 pcs.
---------------	--------