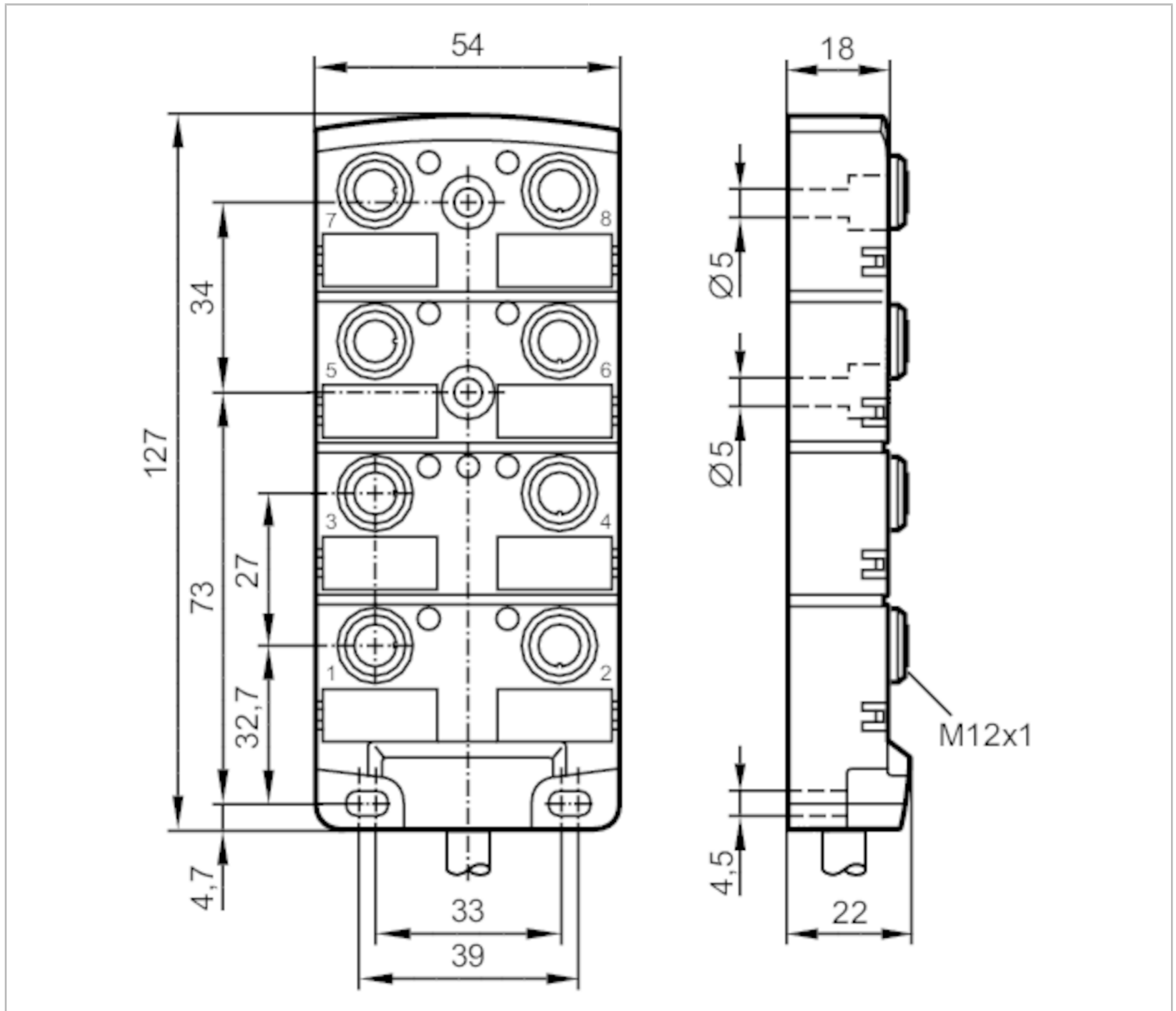


EBC023



Splitter box

ZDO8H059MSS0005H11



Application

Free from silicone yes

Electrical data

Operating voltage [V] 10...30 DC; ("supply class 2" to cULus)

Protection class II

Max. current load per module/slot [A] 4

Max. current load total [A] 12

Outputs

Electrical design PNP

EBC023



Splitter box

ZDO8H059MSS0005H11

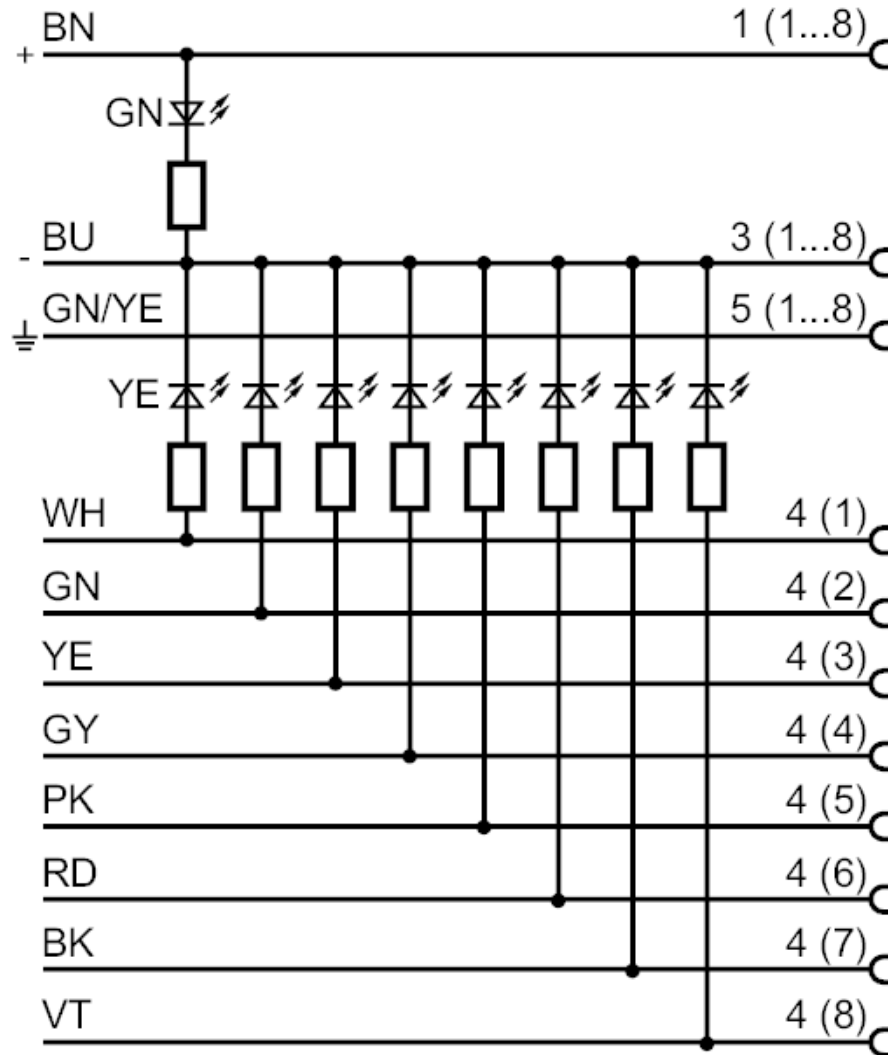
Operating conditions		
Ambient temperature	[°C]	-25...80
Ambient temperature (moving)	[°C]	-5...60
Protection		IP 67; IP 68; ("enclosure type 1" according to cULus)
Mechanical data		
Weight	[g]	751
Dimensions	[mm]	22 x 54 x 127
Materials		PA
Number of ports splitter box		8
Connector type		M12
Drag chain suitability	bending radius for flexible use	min. 10 x cable diameter
	bending cycles	> 2 Mio.
Displays / operating elements		
Display	switching status	8 x LED, yellow
	operation	1 x LED, green
Accessories		
Accessories (supplied)		Protective caps: 2 labels: 8
Remarks		
Pack quantity		1 pcs.
Electrical connection		
Cable: 5 m, PUR, Halogen-free, black, Ø 8.2 mm; 8 x 0.34 mm ² (43 x Ø 0.1 mm) + 3 x 0.75 mm ² (95 x Ø 0.1 mm)		
Electrical connection - slot		
Connector: 8 x M12; Moulded body: PA; Contacts: gold-plated; Tightening torque: 0.8...1.5 Nm		



Splitter box

ZDO8H059MSS0005H11

Connection



Core colours :

BK =	black
BN =	brown
BU =	blue
GN =	green
GN/YE =	green/yellow
GY =	grey
PK =	pink
RD =	red
VT =	lilac
WH =	white
YE =	yellow

EBC023

Splitter box

ZDO8H059MSS0005H11

