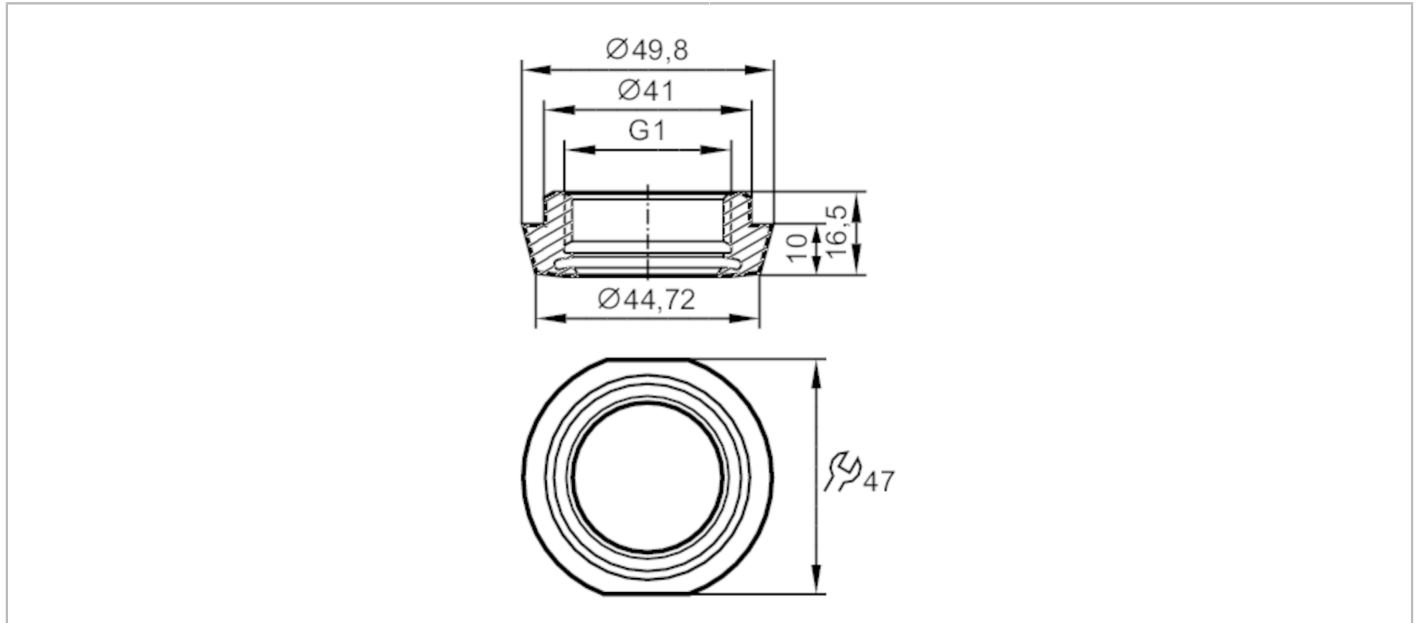


# E33211



## Process adapter hygienic pipe fitting

ADAPT IFM-DIN11851 DN32/1.25"



EC 1935/2004 EHEDG Certified 

Application	
Pressure rating	[bar] 40
Mechanical data	
Weight	[g] 141.2
Materials	stainless steel (1.4435 / 316L)
Sensor connection	G 1 external thread Aseptoflex Vario
Process connection	hygienic pipe fitting DN32 (1,25") DIN 11851
Surface characteristics Ra/Rz of the wetted parts	0.4 / 4
Sealing	Gasket
Hygienic equipment class to DIN 11866	H4
Accessories	
Accessories (supplied)	O-rings: 1 x 24 x 2 (EPDM), FDA compliant
Accessories (optional)	O-ring: 1 x 24 x 2 (FKM), FDA compliant, E30123 sealing ring: 1 x PEEK, FDA compliant, E30124
Remarks	
Pack quantity	1 pcs.