

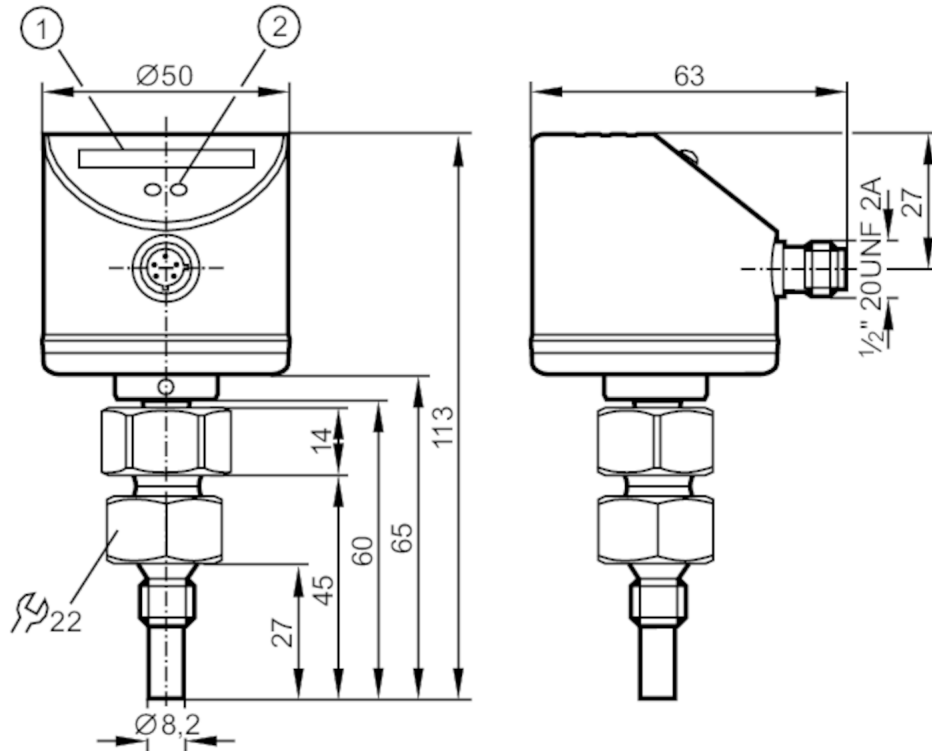
SH0503



Flow monitor

SID10ADBFKOW/LS-100-IRF

Status Archive



- 1 LED bar display
2 setting pushbutton



Application

Media		Liquids; Gases
Medium temperature	[°C]	-25...80
Pressure rating	[bar]	300

Liquids

Medium temperature	[°C]	-25...80
--------------------	------	----------

Gases

Medium temperature	[°C]	-25...80
--------------------	------	----------

Electrical data

Operating voltage tolerance	[%]	-5...10
Operating voltage	[V]	85...265 AC
Nominal voltage AC	[V]	< 240
Protection class		II
Reverse polarity protection		no
Power-on delay time	[s]	10

SH0503



Flow monitor

SID10ADBFKOW/LS-100-IRF

Outputs		
Total number of outputs		1
Output signal		switching signal
Electrical design		relay
Number of digital outputs		1
Output function		normally open / normally closed; (parameterisable)
Contact rating		3 A (250 V AC / 30 V DC); (number of switching cycles: 20 million mechanically; switching cycles at 3 A load: 100,000 electrical; type of switch-off: normally open)
Short-circuit proof		no
Overload protection		no
Measuring/setting range		
Liquids		
Setting range	[cm/s]	3...300
Greatest sensitivity	[cm/s]	3...100
Gases		
Setting range	[cm/s]	200...3000
Greatest sensitivity	[cm/s]	200...800
Accuracy / deviations		
Repeatability	[cm/s]	1...5
Temperature drift	[cm/s x 1/K]	0.1; (for water 5...100 cm/s; 10...70 °C)
Temperature gradient	[K/min]	300
Switch point accuracy	[cm/s]	± 2...± 10; (for water 5...100 cm/s; 25 °C; Factory setting)
Hysteresis	[cm/s]	2...5; (for water 5...100 cm/s; 25 °C; Factory setting)
Response times		
Response time	[s]	1...10
Liquids		
Response time	[s]	1...10
Gases		
Response time	[s]	1...10
Software / programming		
Adjustment of the switch point		pushbutton
Operating conditions		
Ambient temperature	[°C]	-25...80
Storage temperature	[°C]	-25...100
Protection		IP 67
Tests / approvals		
EMC	EN 61000-4-2 ESD	4 kV CD / 8 kV AD
	EN 61000-4-3 HF radiated	10 V/m
	EN 61000-4-4 Burst	2 kV
	EN 61000-4-6 HF conducted	10 V
Shock resistance	DIN IEC 68-2-27	50 g (11 ms)
Vibration resistance	DIN EN 60068-2-6	20 g (55...2000 Hz)
MTTF	[years]	220.97

SH0503



Flow monitor

SID10ADBFBKOW/LS-100-IRF

Mechanical data	
Weight [g]	292.4
Materials	stainless steel (1.4404 / 316L); stainless steel (1.4301 / 304); PC; PBT-GF20; EPDM/X
Materials (wetted parts)	stainless steel (1.4404 / 316L); O-ring: FKM 80 Shore A
Tightening torque [Nm]	25
Process connection	G 1/4 external thread

Displays / operating elements		
Display	function	10 x LED, three-colour

Electrical connection	
Required protection	miniature fuse to IEC60127-2 sheet 1; ≤ 5 A; fast acting

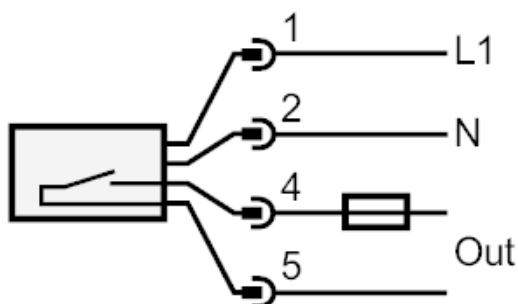
Remarks	
Remarks	Recommendation Check the safe functioning of the unit after a short circuit.
Notes	discontinued article
Pack quantity	1 pcs.

Electrical connection

Connector: 1 x 1/2"



Connection



Note miniature fuse to IEC60127-2 sheet 1 ≤ 5 A fast acting

Status Archive