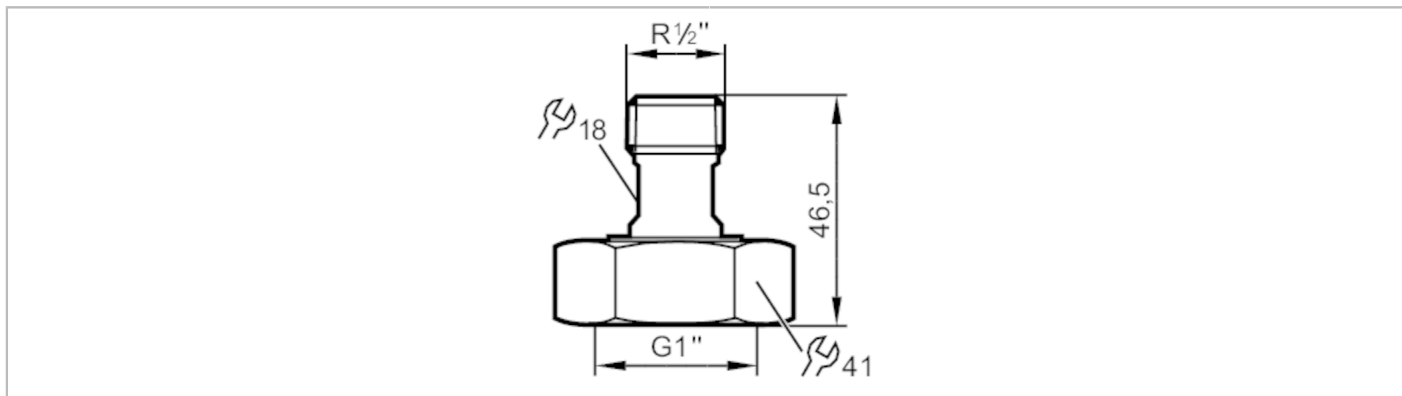


E40179



Mounting adapter for flow sensors

ADAPTER G1-R1/2V4A



Reg31

Application	
Design	for flow monitors Typ SM8, SU8
Mechanical data	
Weight [g]	298
Materials	Adapter: stainless steel (1.4404 / 316L); Gasket: Centellen 23,5 x 30 x 3 mm
Sensor connection	G 1
Process connection	R 1/2
Accessories	
Accessories (supplied)	O-rings: 2
Remarks	
Pack quantity	2 pcs.