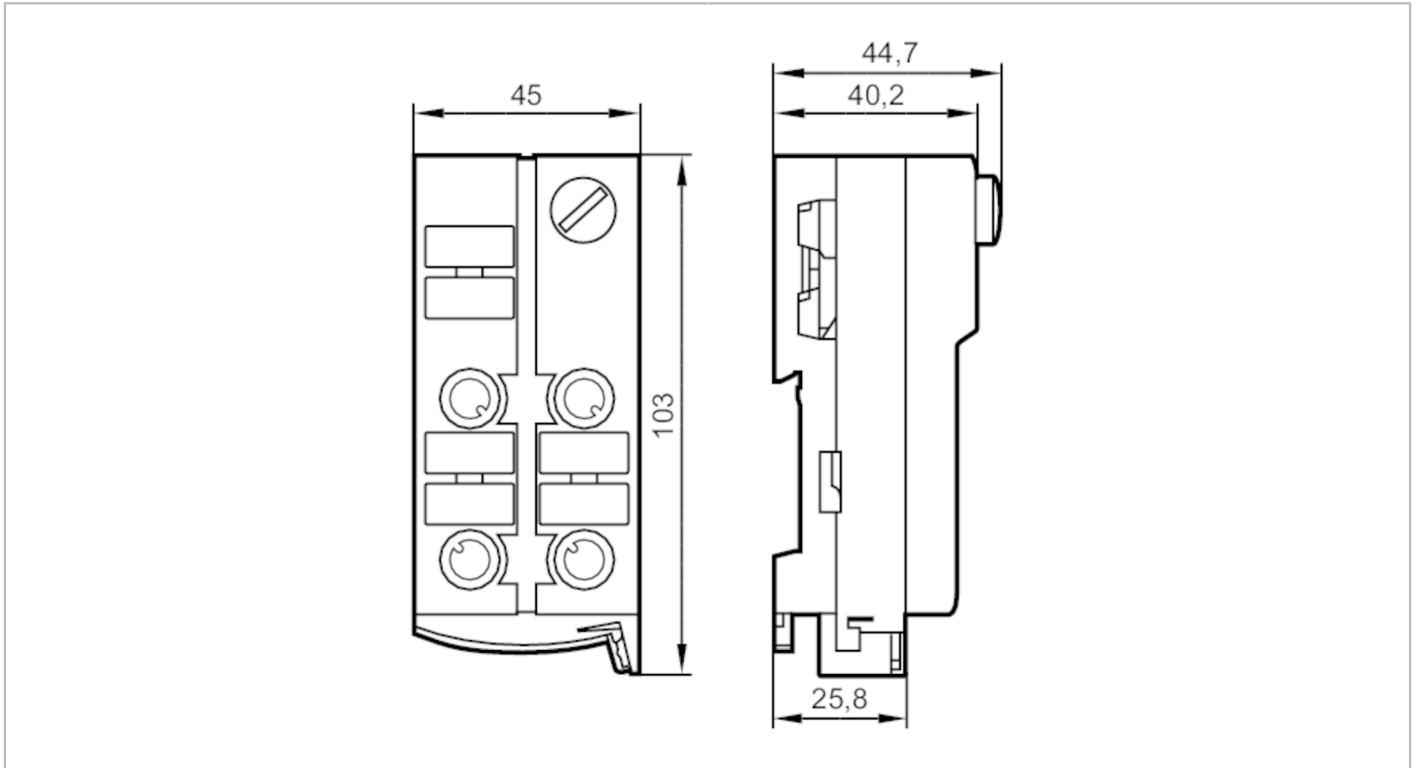




AS-Interface ClassicLine module with quick mounting technology

ClassicLine 3DO-Y IP67



Electrical data	
Operating voltage	[V] 26.5...31.6 DC; ("supply class 2" to cULus)
Max. current consumption from AS-i	[mA] 50
Max. current load total	[A] 3
Integrated watchdog	yes
Inputs / outputs	
Number of inputs and outputs	Number of digital outputs: 3
Outputs	
Number of digital outputs	3
Beschaltung	PNP
Voltage range DC	15...30; (to PELV; via flat cable)
Max. current load per output	[mA] 1000; (utilisation category DC-13 (control of electromagnets): 20 W (IEC 60947-5-1))
Short-circuit proof	yes
Electrically separated	yes
Operating conditions	
Ambient temperature	[°C] -25...70
Protection	IP 67
Tests / approvals	
EMC	EN 50295
	IEC 61000-6-2
MTTF	[years] 215

AC5203



AS-Interface ClassicLine module with quick mounting technology

ClassicLine 3DO-Y IP67

AS-i classification					
AS-i version	2.11 + 3.0				
AS-i addressing	addressing socket				
Extended addressing mode possible	yes				
AS-i profile	S-8.A.E				
AS-i I/O configuration [hex]	8				
AS-i ID code [hex]	A.E				
AS-i certificate pending	yes				
Assignment of the data bits	data bit	D0	D1	D2	D3
	Output	1	2	3	-
	socket	O-1/2	O-1/2 O-2	O-3	-
	pin	4	2 4	4	-
Mechanical data					
Weight [g]	182.6				
Type of mounting	AS-i flat cables directly connectable				
Materials	PA; piercing contacts: CuSn6 nickel-plated and tin-plated;				
Displays / operating elements					
Display	operation	LED, green			
	errors	LED, red			
	function	LED, yellow			
Accessories					
Accessories (supplied)	lower part				
Accessories (optional)	Protective cap: M12, E73004				
Remarks					
Pack quantity	1 pcs.				



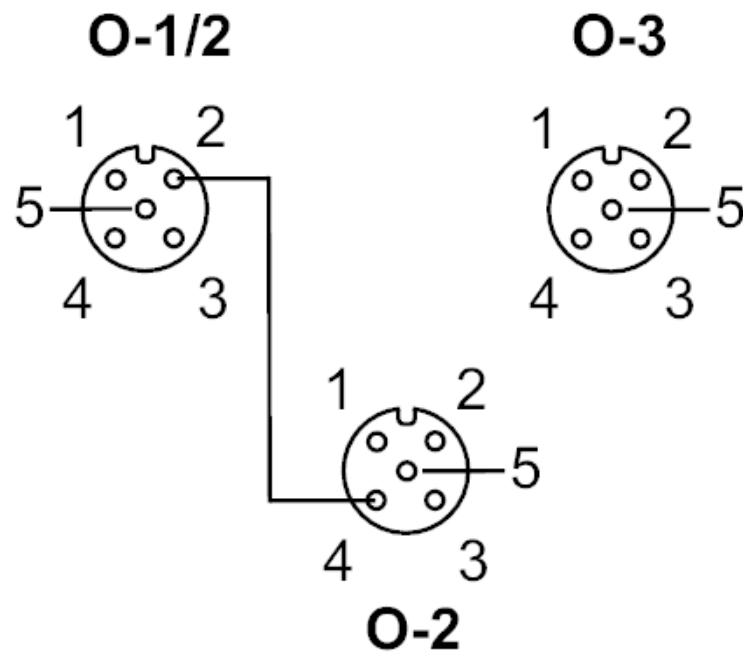
AS-Interface ClassicLine module with quick mounting technology

ClassicLine 3DO-Y IP67

Electrical connection

quick mounting technology for AS-i flat cable: ; three orientations possible

Connection



AC5203



AS-Interface ClassicLine module with quick mounting technology

ClassicLine 3DO-Y IP67

Outputs	
	socket O-1/2
1	not used
2	switching output 2
3	external voltage AUX -
4	switching output 1
5	not used
	socket O-2
1	not used
2	not used
3	external voltage AUX -
4	switching output 2
5	not used
	socket O-3
1	not used
2	not used
3	external voltage AUX -
4	switching output 3
5	not used

Connector: M12