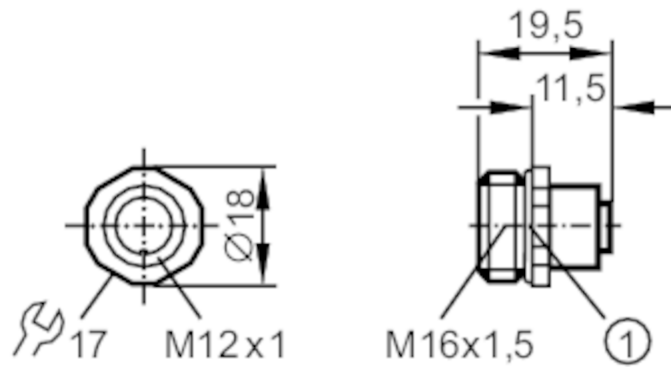


E11917



Adapter socket

EDOGH050MSS00,7E05(M16)



1 O-ring

Electrical data

Operating voltage [V] < 125 AC/DC

Operating conditions

Ambient temperature [°C] -25...85

Protection IP 68

Mechanical data

Weight [g] 25.2

Mounting thread M16

Materials diecast zinc nickel-plated

Remarks

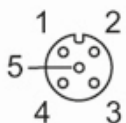
Pack quantity 1 pcs.

Electrical connection

Cable: 0.7 m, PVC; 4 x 0.25 mm² + 1 x 0.5 mm²

Electrical connection - socket

Connector: 1 x M12; Moulded body: diecast zinc, nickel-plated



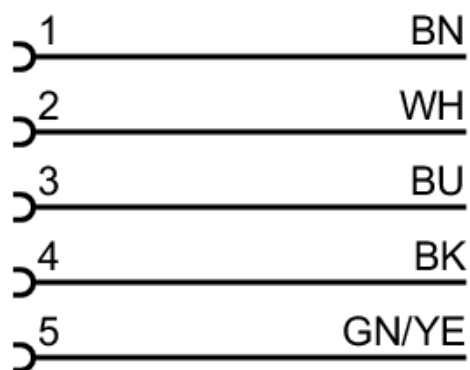
E11917



Adapter socket

EDOGH050MSS00,7E05(M16)

Connection



Core colours :

BK = black

BN = brown

BU = blue

GN/YE = green/yellow

WH = white