

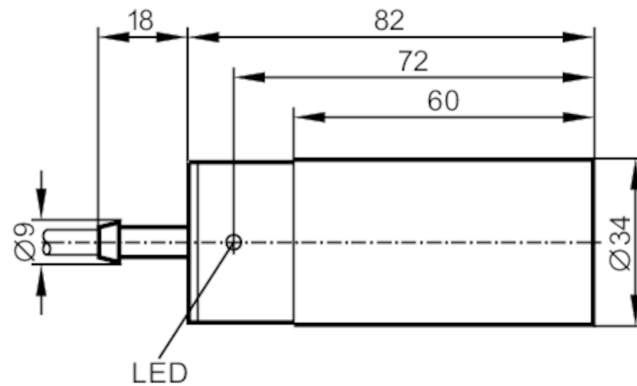
IB5163



Inductive sensor

IB-3027SFPKG

RT



Electrical data

Operating voltage	[V]	10...36 DC
Current consumption	[mA]	15; (24 V)
Protection class		II
Reverse polarity protection		yes

Outputs

Electrical design		PNP
Output function		normally open / normally closed; (selectable)
Max. voltage drop switching output DC	[V]	3
Permanent current rating of switching output DC	[mA]	250
Short-time current rating of switching output	[mA]	400
Switching frequency DC	[Hz]	20
Short-circuit protection		yes
Type of short-circuit protection		pulsed
Overload protection		yes

Detection zone

Sensing range	[mm]	27
Real sensing range S_r	[mm]	$27 \pm 10 \%$
Operating distance	[mm]	0...21.87

Accuracy / deviations

Correction factor		steel: 1 / stainless steel: 0.7 / brass: 0.5 / aluminium: 0.4 / copper: 0.3
Hysteresis	[% of S_r]	1...15
Switch point drift	[% of S_r]	-10...10

Operating conditions

Ambient temperature	[°C]	-30...50
Protection		IP 67

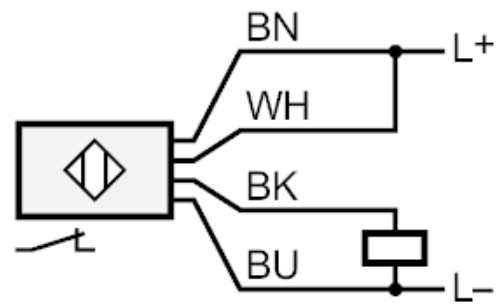
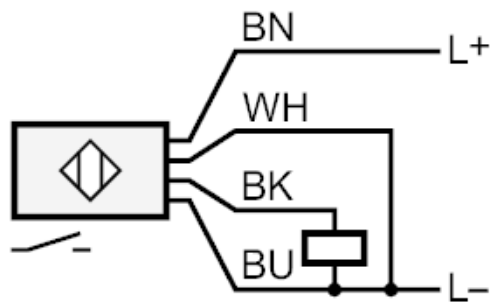
IB5163



Inductive sensor

IB-3027SFPKG RT

Tests / approvals		
EMC	EN 60947-5-2 EN 55011	class B
MTTF [years]	1158	
Mechanical data		
Weight [g]	257	
Housing	cylindrical	
Mounting	non-flush mountable	
Dimensions [mm]	Ø 34 / L = 82	
Materials	PBT	
Displays / operating elements		
Display	switching status	1 x LED, red
Accessories		
Accessories (supplied)	Mounting clamps: 1	
Remarks		
Remarks	Reprogramming allows the output of the switch to be monitored in the monitor mode. Note: The switch holds no approval as a fail-safe switch.	
Pack quantity	1 pcs.	
Electrical connection		
Cable: 2 m, PVC; 4 x 0.34 mm ²		
Connection		



Core colours :

BK = black
BN = brown
BU = blue
WH = white