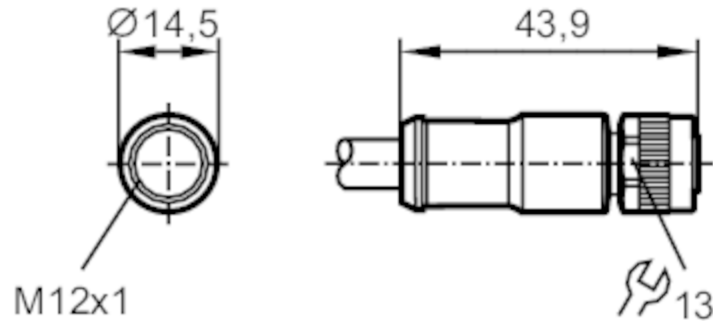


# E11596



## Connecting cable with socket

ADOGH050MSA0002C02



### Application

Application CAN bus

### Electrical data

Operating voltage [V] < 30 AC / < 36 DC  
Max. current load total [A] 4

### Operating conditions

Ambient temperature [°C] -25...85  
Protection IP 68

### Mechanical data

Weight [g] 169.2  
Dimensions [mm] 14.5 x 14.5 x 43.9  
Materials PUR  
Material nut brass

### Remarks

Pack quantity 1 pcs.

### Electrical connection

Cable: 2 m, PUR, Halogen-free, lilac, Ø 6.8 mm, shielded; RD / BK: 2 x 0.25 mm<sup>2</sup> (19 x Ø 0.13 mm) + WH / BU: 2 x 0.34 mm<sup>2</sup> (19 x Ø 0.16 mm) + screen: 1 x 0.34 mm<sup>2</sup> (19 x Ø 0.16 mm)

### Electrical connection - socket

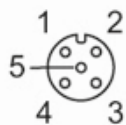
Connector: 1 x M12, straight; Moulded body: PUR; Locking: brass, nickel-plated; Contacts: gold-plated

# E11596

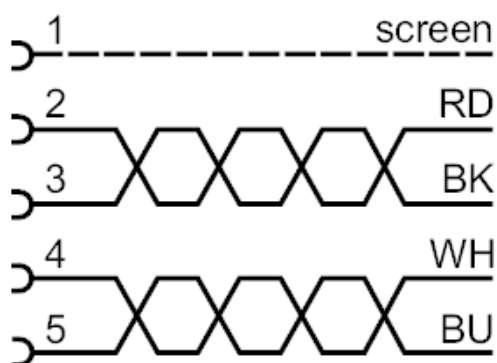


## Connecting cable with socket

ADOGH050MSA0002C02



### Connection



Core colours :

BK =	black
BU =	blue
RD =	red
WH =	white
screen =	screen