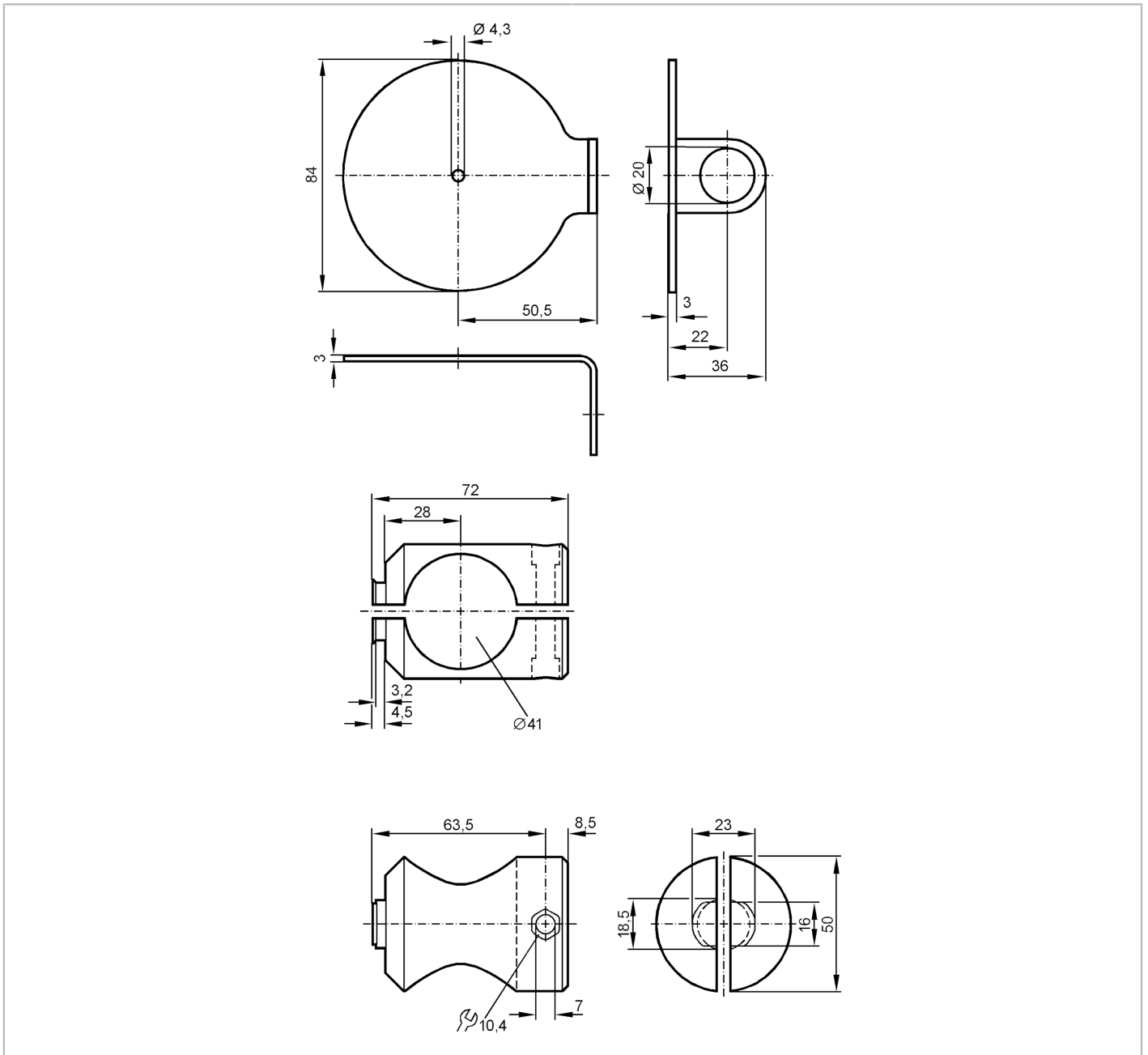


# E21011



## Mounting set for reflectors

MOUNTING SET FOR REFLECTOR ROD



Application	
Design	clamp mounting
Mechanical data	
Weight [g]	361.6
Type of mounting	Mounting rod; ( $\varnothing 40$ mm)
Materials	fixture: stainless steel (1.4571/316Ti); Clamp: aluminium uncoloured anodised
Remarks	
Pack quantity	1 pcs.