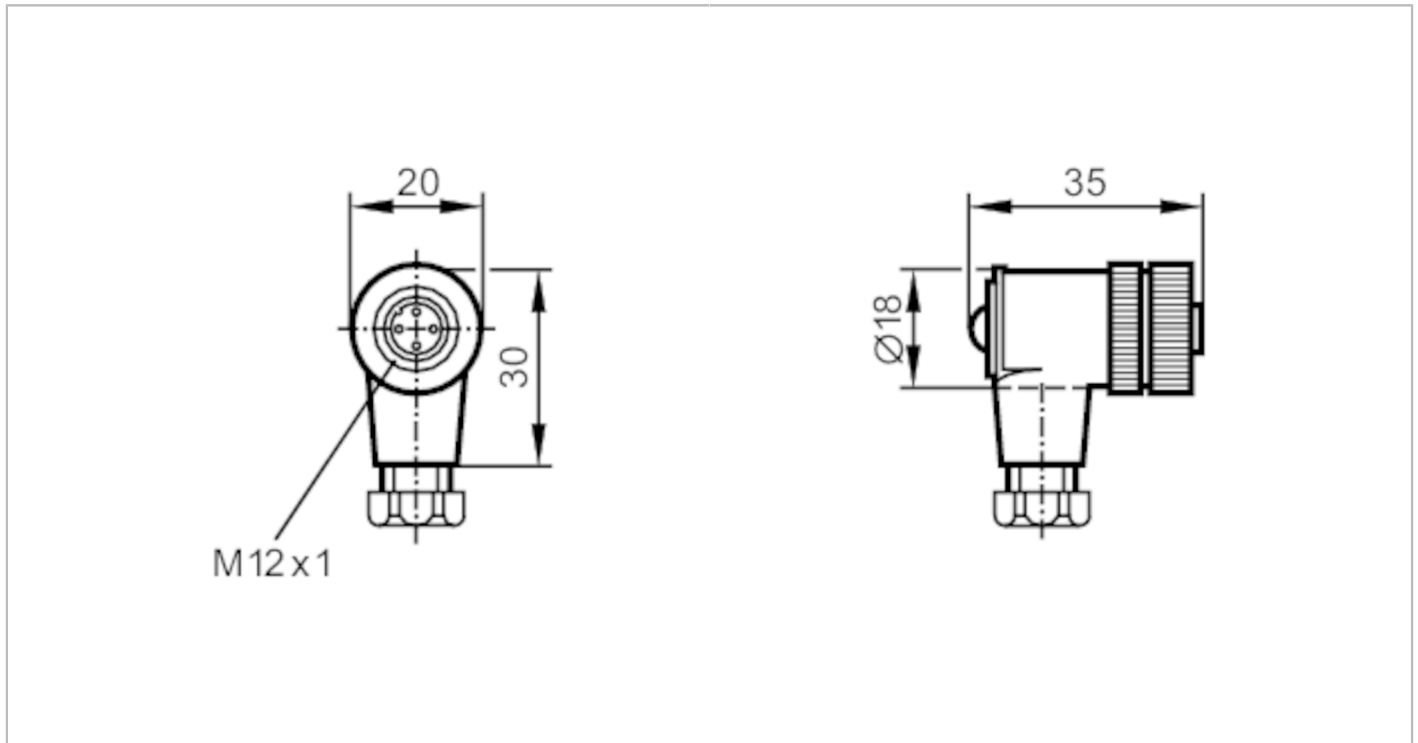


E11512



Wirable socket

SDOAH050MSSFKPG

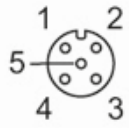


| Application | |
|--|-------------------|
| Free from silicone | yes |
| Electrical data | |
| Operating voltage [V] | < 45 AC / < 70 DC |
| Max. current load total [A] | 4; (...40 °C) |
| Operating conditions | |
| Ambient temperature [°C] | -25...85 |
| Protection | IP 68 |
| Mechanical data | |
| Weight [g] | 29.8 |
| Dimensions [mm] | 35 x 20 x 30 |
| Materials | PA |
| Material nut | brass |
| Remarks | |
| Pack quantity | 1 pcs. |
| Electrical connection | |
| screw terminals: ...0.75 mm ² ; Cable sheath: Ø 4...6 mm | |
| Electrical connection - socket | |
| Connector: 1 x M12, angled; Moulded body: PA; Locking: brass, nickel-plated; Contacts: gold-plated | |

E11512

Wirable socket

SDOAH050MSSFKPG



Connection

