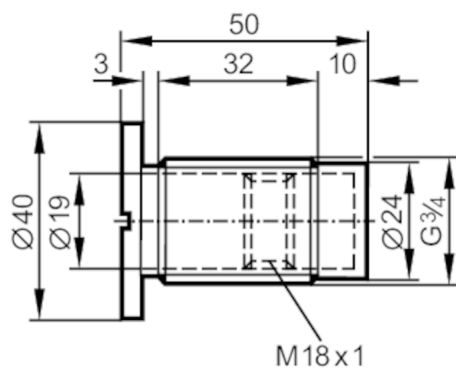


E43901



Mounting adapter for capacitive sensors

MOUNTING ADAPTER G3/4",PVDF



Application

Pressure rating [bar] 8

Operating conditions

Ambient temperature [°C] -25...110

Mechanical data

Weight [g] 28.2
Materials PVDF
Tightening torque [Nm] 5
Process connection G 3/4

Remarks

Pack quantity 1 pcs.