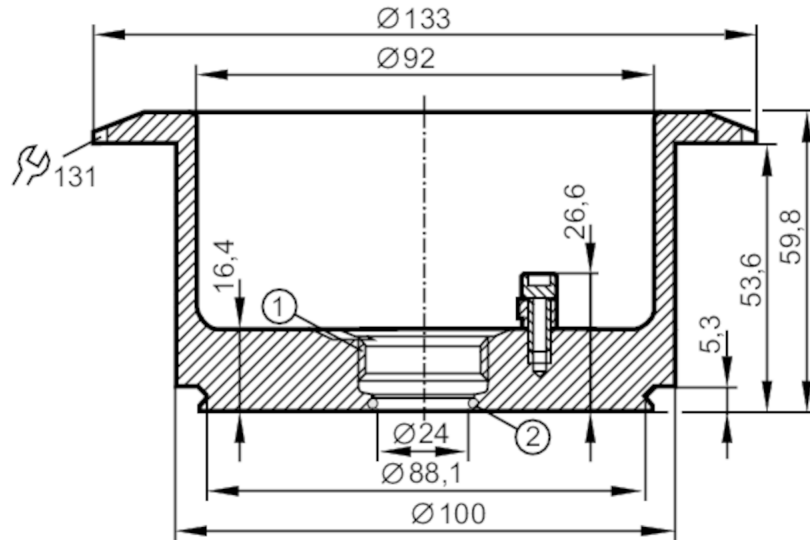


E33123



Mounting adapter for process sensors

ADAPT IFM-TANK SPUD SEAL



- 1 Aseptoflex thread
- 2 sealings

EC 1935/2004 

Application	
Installation	with O-ring
Pressure rating [bar]	34
Mechanical data	
Weight [g]	1594
Type of mounting	with O-ring
Materials	stainless steel (1.4404 / 316L); O-ring: EPDM
Sensor connection	Aseptoflex
Surface characteristics Ra/Rz of the wetted parts	0.4 / 4
Hygienic equipment class to DIN 11866	H4
Accessories	
Accessories (optional)	O-rings: 5 x EPDM, E30054 O-rings: 5 x FPM (Viton), E30053
Remarks	
Pack quantity	1 pcs.