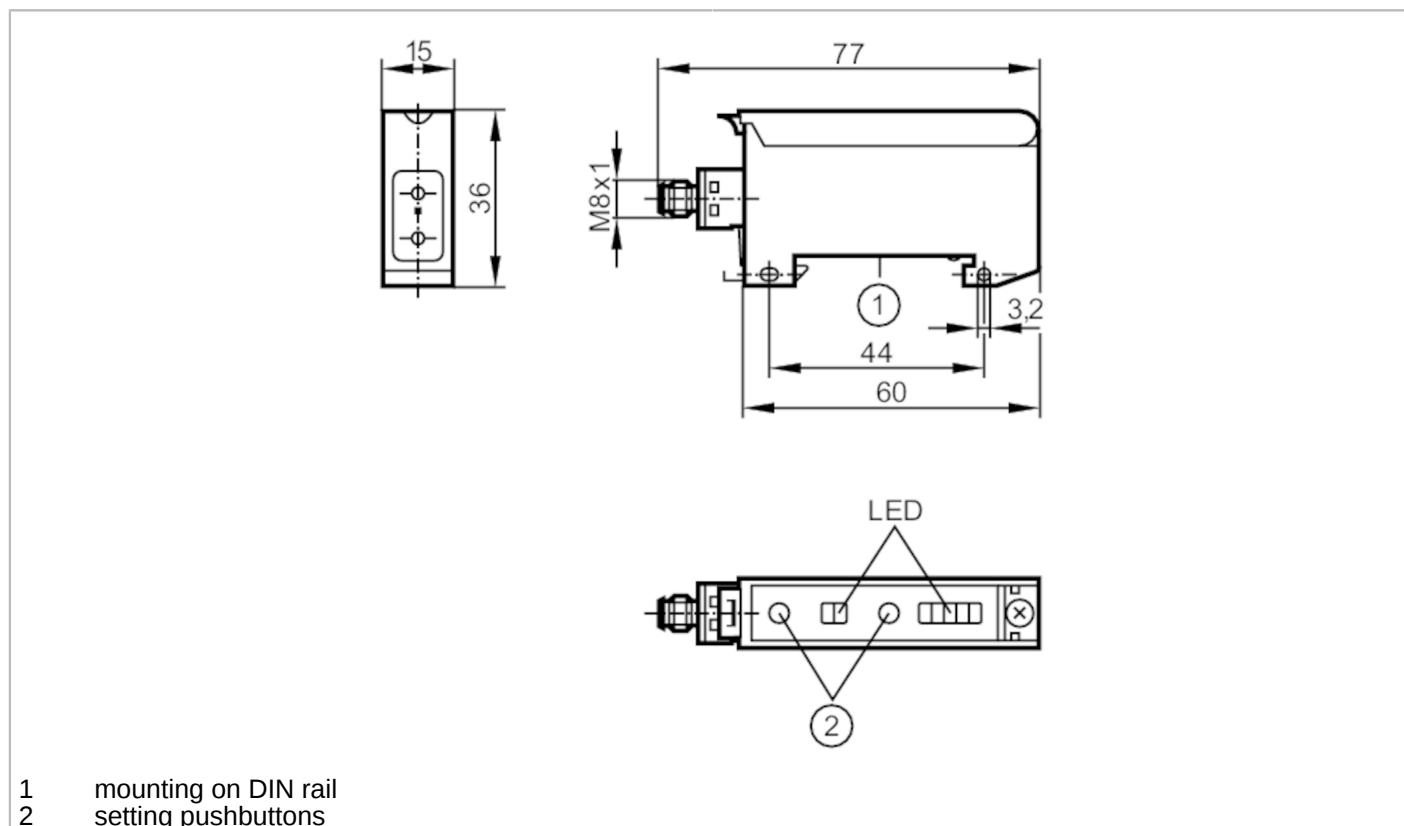


OBF505



Fibre-optic amplifier

OBF-FAKG/TIAS



Application

Design for fibre optics with metal sheath FE/FT-50

Electrical data

Operating voltage	[V]	10...30 DC
Current consumption	[mA]	< 50
Protection class		III
Reverse polarity protection		yes
Type of light		red light

OBF505



Fibre-optic amplifier

OBF-FAKG/TIAS

Outputs		
Electrical design	PNP/NPN; (automatic load detection PNP/NPN)	
Output function	light-on/dark-on mode; (programmable)	
Max. voltage drop switching output DC [V]	2.5	
Function check output	yes	
Max. voltage drop of function check output [V]	2.5	
Max. current load for function check output [mA]	10	
Permanent current rating of switching output DC [mA]	100	
Switching frequency DC [Hz]	1000	
Short-circuit protection	yes	
Type of short-circuit protection	pulsed	
Overload protection	yes	
Time function [s]	0.001...0.09	
Detection zone		
Range [m]	0...1; (Through-beam sensor)	
Range [mm]	0...150; (Diffuse reflection sensor)	
Range adjustable	yes	
Operating conditions		
Ambient temperature [°C]	-25...60	
Protection	IP 65	
Tests / approvals		
EMC	EN 60947-5-2	
MTTF [years]	806	
Mechanical data		
Weight [g]	66.4	
Housing	rectangular	
Dimensions [mm]	36 x 15 x 60	
Materials	PPE modified	
Lens alignment	side lens	
Displays / operating elements		
Display	switching status	1 x LED, yellow
	operation	1 x LED, green
	unsafe zone	1 x LED, red
	excess gain	4 x LED, green
Remarks		
Remarks	light-on mode corresponds to the NC output function for through-beam fibre optics	
	corresponds to the NO output function for diffuse-reflection fibre optics	
Remarks	dark-on mode corresponds to the NO output function for through-beam fibre optics	
	corresponds to the NC output function for diffuse-reflection fibre optics	
Pack quantity	operating voltage "supply class 2" according to cULus	
	1 pcs.	

OBF505



Fibre-optic amplifier

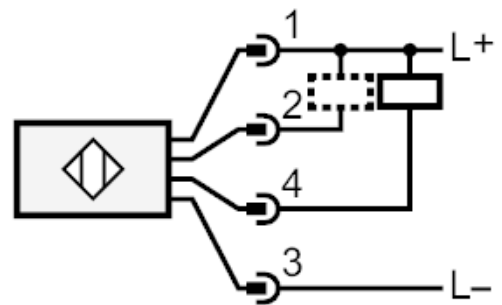
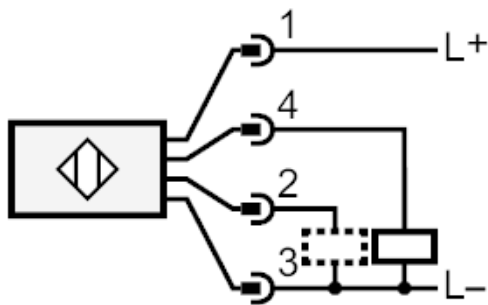
OBF-FAKG/TIAS

Electrical connection

Connector: 1 x M8



Connection



2

Function check output