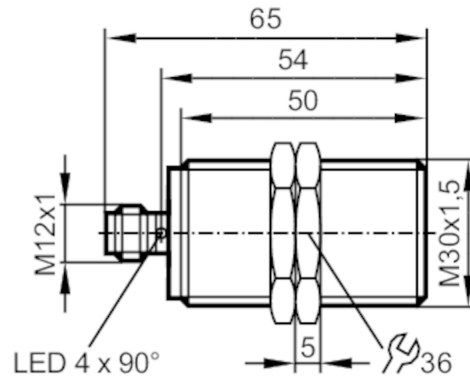


# IIW200



## Inductive sensor

IIK3010-BPKG/K1/SC/US-104



### Application

Magnetic-field immune	yes
Max. magnetic field immunity [mT]	300

### Electrical data

Operating voltage [V]	10...30 DC
Current consumption [mA]	< 20
Protection class	II
Reverse polarity protection	yes

### Outputs

Electrical design	PNP
Output function	normally open
Max. voltage drop switching output DC [V]	2.5
Permanent current rating of switching output DC [mA]	100
Switching frequency DC [Hz]	2000
Short-circuit protection	yes
Overload protection	yes

### Detection zone

Sensing range [mm]	10
Real sensing range Sr [mm]	10 ± 10 %
Operating distance [mm]	0...8.1

### Accuracy / deviations

Correction factor	steel: 1 / stainless steel: 1 / brass: 1 / aluminium: 1 / copper: 1
Hysteresis [% of Sr]	3...15
Switch point drift [% of Sr]	-10...10
Correction factor K = 1	yes

### Operating conditions

Ambient temperature [°C]	-25...70
Protection	IP 67

# IIW200



## Inductive sensor

IIK3010-BPKG/K1/SC/US-104

Tests / approvals		
EMC	EN 61000-4-2 ESD	4 kV CD / 8 kV AD
	EN 61000-4-3 HF radiated	10 V/m
	EN 61000-4-4 Burst	2 kV
	EN 61000-4-6 HF conducted	10 V
	EN 55011	class B
MTTF	[years]	661
UL approval	Ta	-25...70 °C
	Enclosure type	Type 1
	voltage supply	Limited Voltage/Current
	UL Approval no.	A005
	File number UL	E174191

Mechanical data		
Weight	[g]	111
Housing		threaded type
Mounting		flush mountable
Dimensions	[mm]	M30 x 1.5 / L = 65
Thread designation		M30 x 1.5
Materials		housing: brass anti-spatter; sensing face: LCP black; lock nuts: brass anti-spatter

Displays / operating elements		
Display	switching status	4 x 90° LED, yellow

Accessories		
Accessories (supplied)		lock nuts: 2

Remarks		
Pack quantity		1 pcs.

Electrical connection - plug		
Connector: 1 x M12; Contacts: gold-plated		



# IIW200



## Inductive sensor

IIK3010-BPKG/K1/SC/US-104

### Connection

