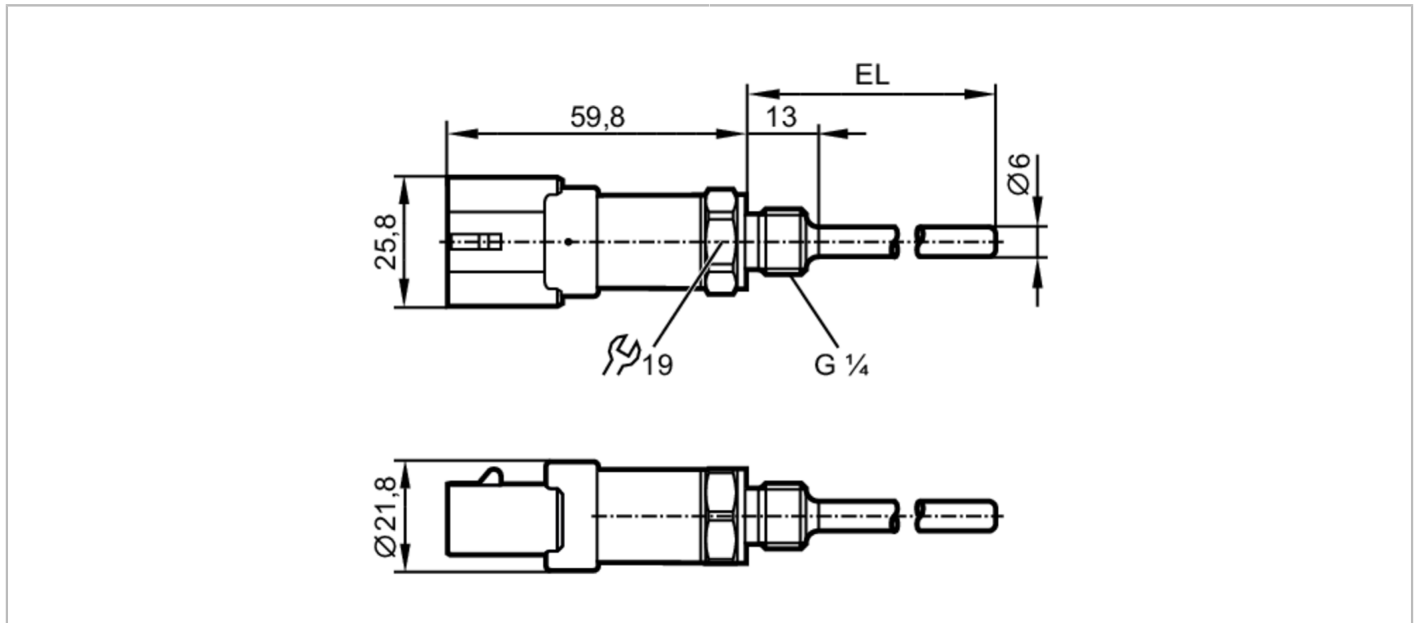


TA5105



Temperature transmitter

TA-025CLEM14-A-ZVG/AM



Application	
Measuring element	1 x Pt 1000; (to DIN EN 60751, class A)
Media	liquids and gases
Pressure rating [bar]	400
Electrical data	
Operating voltage [V]	10...30 DC; ("supply class 2" to cULus)
Current consumption [mA]	< 30
Protection class	III
Reverse polarity protection	yes
Outputs	
Total number of outputs	1
Output signal	analogue signal
Number of analogue outputs	1
Analogue current output [mA]	4...20
Max. load [Ω]	$(U_b - 8,5 \text{ V}) / 21,5 \text{ mA}$; 24 V: 720 Ω
Short-circuit protection	yes
Overload protection	yes
Measuring/setting range	
Measuring range	-50...150 °C -58...302 °F
Resolution	
Resolution of analogue output [K]	0.04
Accuracy / deviations	
Precision analogue output [K]	$\pm 0,3 + (\pm 0,1 \% \text{ MS})$
Temperature coefficient [% of the span / 10 K]	0,1; (in case of deviation from the reference condition $25 \pm 5 \text{ }^\circ\text{C}$)

TA5105



Temperature transmitter

TA-025CLEM14-A-ZVG/AM

Response times			
Dynamic response T05 / T09	[s]	1 / 3; (to DIN EN 60751)	
Operating conditions			
Ambient temperature	[°C]	-40...100	
Storage temperature	[°C]	-40...100	
Protection		IP 68; IP 69K	
Tests / approvals			
EMC		DIN EN 61000-6-2	
		DIN EN 61000-6-3	
Shock resistance		DIN EN 60068-2-27	50 g (11 ms)
Vibration resistance		DIN EN 60068-2-6	20 g (10...2000 Hz)
MTTF	[years]		1092
UL approval		UL Approval no.	K007
Mechanical data			
Weight	[g]		95
Materials			stainless steel (1.4404 / 316L); PPS; FKM
Materials (wetted parts)			stainless steel (1.4404 / 316L); FKM
Process connection			threaded connection G 1/4 external thread
Probe diameter	[mm]		6
Installation length EL	[mm]		25
Remarks			
Remarks		The values for accuracy apply to flowing water. referring to UL: for use on a low voltage circuit with overcurrent protection in accordance with UL873 tab. 28.1 or $I_{max} = 100/U_b$ (U_b = voltage of the circuit)	
Pack quantity			1 pcs.

Electrical connection

Connector: 1 x AMP-Superseal



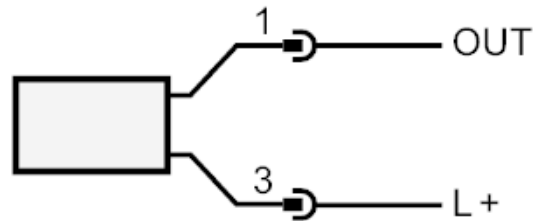
TA5105

Temperature transmitter

TA-025CLEM14-A-ZVG/AM



Connection



OUT: analogue output