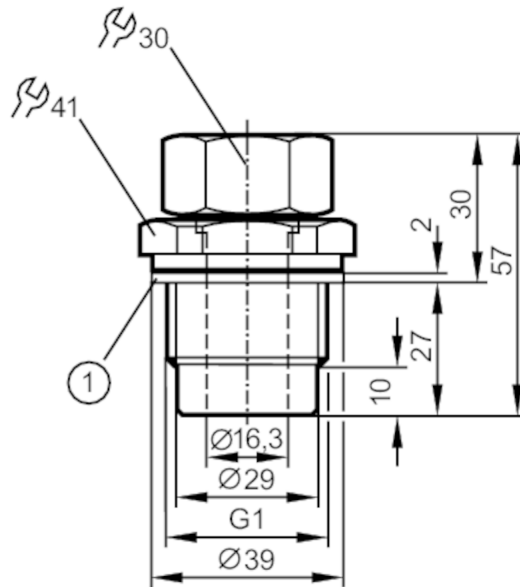


# E43004



## Mounting adapter for level sensors

MOUNTING ADAPTER G1



1 sealings

### Application

Design	for capacitive level sensors LK, LI, LT, LL
Pressure rating [bar]	0.5

### Operating conditions

Ambient temperature [°C]	0...80
--------------------------	--------

### Mechanical data

Weight [g]	331.5
Materials	flange: stainless steel; Lock nut: stainless steel; spacer: brass; clamping ring: FKM; Sealing: Tesnit
Tightening torque [Nm]	6...9
Process connection	G 1

### Remarks

Pack quantity	1 pcs.
---------------	--------