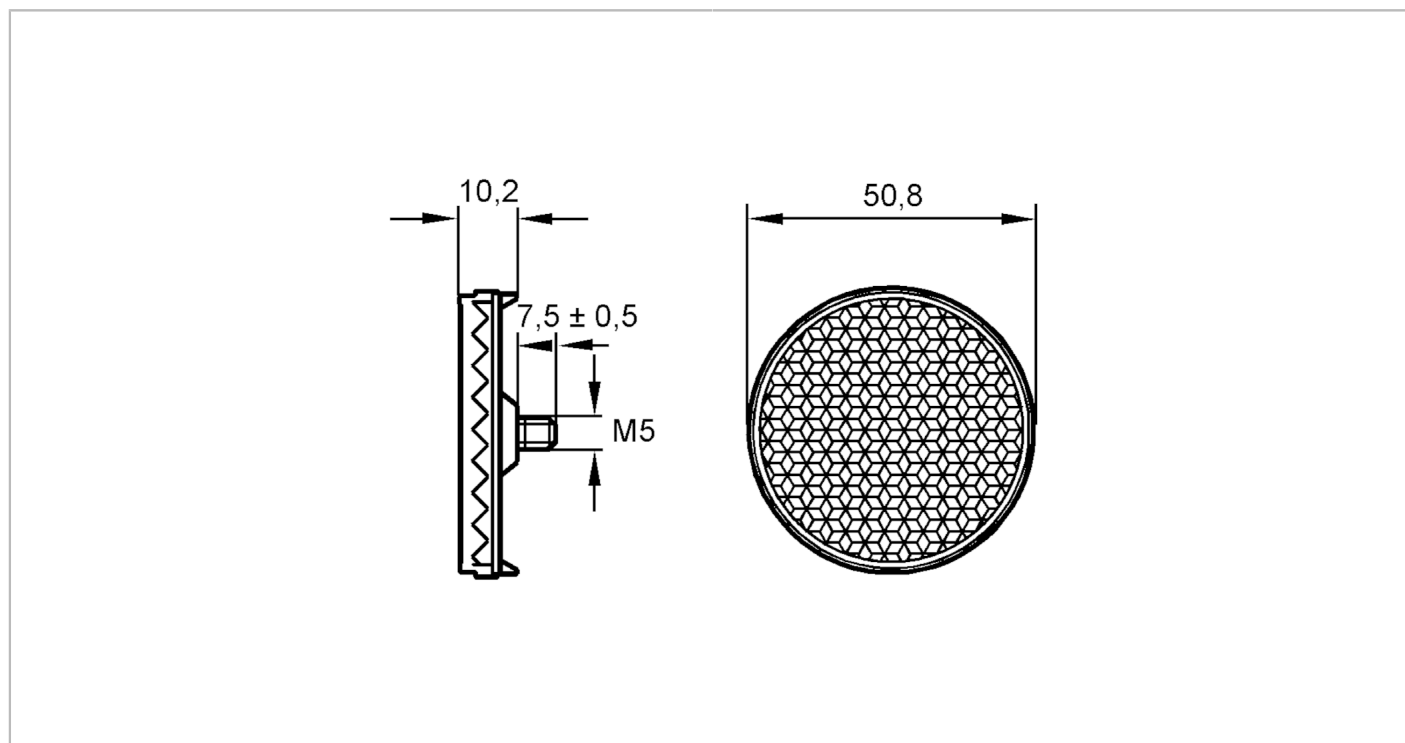


E20956



Reflector for retro-reflective sensors

REFLECTOR TS-50



Application		
Design		round
Operating conditions		
Ambient temperature	[°C]	-10...60
Mechanical data		
Weight	[g]	15.8
Dimensions	[mm]	Ø 50
Materials		plastics
Remarks		
Pack quantity		1 pcs.