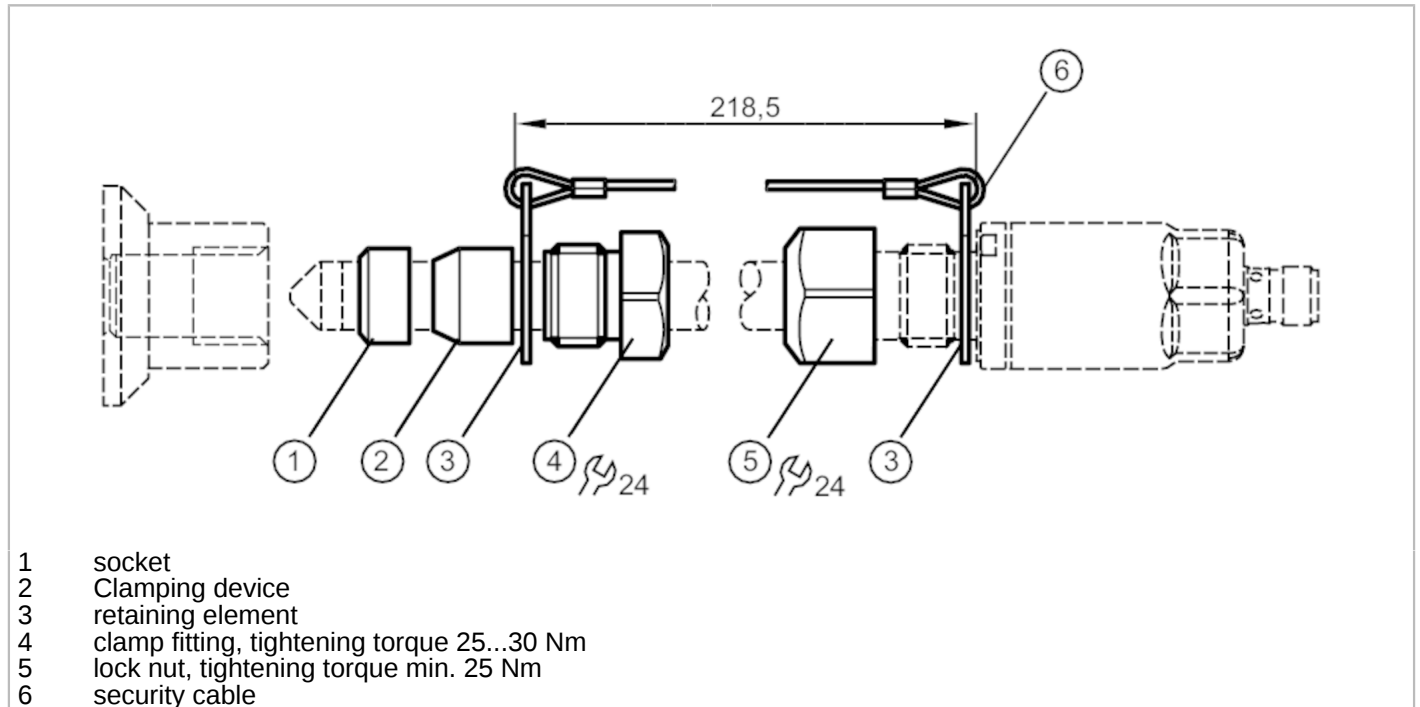


# E43322



## Clamp adapter for process sensors

VARIABLE CLAMP ADAPTER 250



**EHEDG Certified** 

Application	
Design	for hygienic adaptations G 1/2
Mechanical data	
Weight [g]	175.5
Materials	PEEK-GF30; stainless steel (1.4404 / 316L)
Remarks	
Pack quantity	1 pcs.